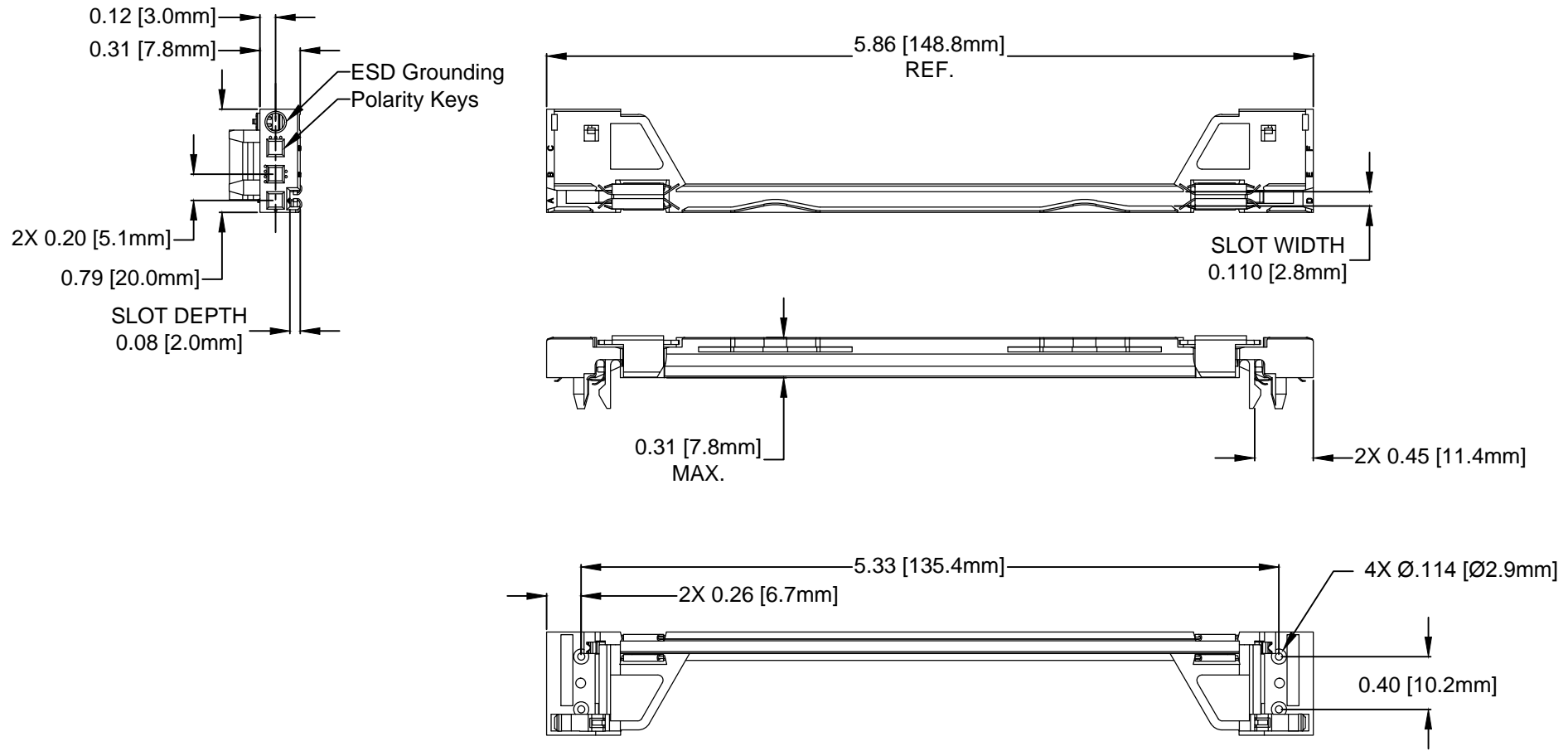



ITEM	Q'TY	PART NUMBER	PART DESCRIPTION
1	1	CPCI-160X	160mm Card Guide, SEE SHEET 2 TABLE 1
2	X	CPCI-ESD1	CPCI ESD Clips, PCB Grounding, SEE SHEET 2 TABLE 1
3	X	CPCI-ESD2	CPCI ESD Clips, Extractor Grounding, SEE SHEET 2 TABLE 1

REV.	DESCRIPTION	DATE	APPROVED
B	Engineering Release.	11/20/14	J. C.



- 2. MATERIAL: POLYCARBONATE, GLASS FILLED 20%
- 1. GENERAL SPECIFICATIONS: BIVAR MOLDED COMPONENT SPECIFICATION BV00-E101.

STANDARD TOLERANCE (UNLESS OTHERWISE SPECIFIED)		 <b>BIVAR</b> <sup>®</sup> 4 THOMAS, IRVINE, CA. 92618 TEL: (949) 951-8808 FAX: (949) 951-3974	
DECIMALS	ANGULAR		
.X ± .1	X° ± 1°	<b>TITLE:</b> 160mm CPCI CARD GUIDE WITH ESD CLIPS <b>PART NO:</b> CPCI-160X-ESDXX <b>REVISION:</b> B	
.XX ± .01			
.XXX ± .005			
DESIGNED: <b>Alex Wright</b>	DATE: <b>08/21/14</b>	<b>CAGE CODE :</b> 32559 <b>SHEET #</b> 1 OF 2	
CHECKED: <b>Brian Oliver</b>	DATE: <b>08/21/14</b>	CAD GENERATED DOCUMENT, DO NOT MEASURE DRAWING.	

REV.	DESCRIPTION	DATE	APPROVED
	SEE SHEET #1		

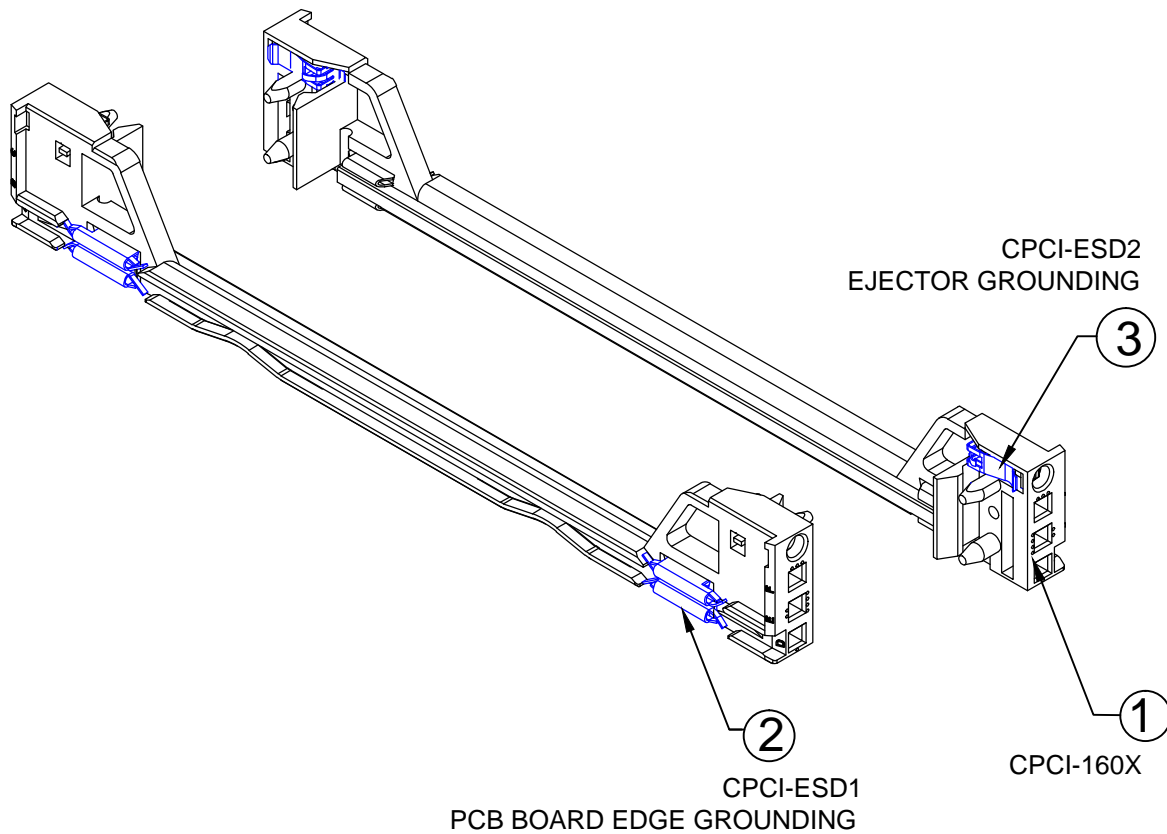

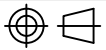


TABLE 1 ASSEMBLY CONFIGURATIONS			
ASSEMBLY PART NUMBERS	ITEM	QTY	CARD GUIDE COLOR
CPCI-160-ESD1	2	2	GREY
CPCI-160-ESD2	3	2	GREY
CPCI-160-ESD12	2   3	2   2	GREY
CPCI-160Y-ESD1	2	2	YELLOW
CPCI-160Y-ESD2	3	2	YELLOW
CPCI-160Y-ESD12	2   3	2   2	YELLOW
CPCI-160R-ESD1	2	2	RED
CPCI-160R-ESD2	3	2	RED
CPCI-160R-ESD12	2   3	2   2	RED
CPCI-160G-ESD1	2	2	GREEN
CPCI-160G-ESD2	3	2	GREEN
CPCI-160G-ESD12	2   3	2   2	GREEN

NOTE: ESD CLIPS COME PRE-ASSEMBLED

STANDARD TOLERANCE ( UNLESS OTHERWISE SPECIFIED )		 <b>BIVAR</b> <sup>®</sup> 4 THOMAS, IRVINE, CA. 92618 TEL: (949) 951-8808 FAX: (949) 951-3974	
DECIMALS	ANGULAR		
.X ± .1	X° ± 1°	 <b>TITLE:</b> 160mm CPCI CARD GUIDE WITH ESD CLIPS	
.XX ± .01			
.XXX ± .005			
DESIGNED: <b>Alex Wright</b>	DATE: <b>08/21/14</b>	<b>PART NO:</b> CPCI-160X-ESDXX	REVISION: <b>B</b>
CHECKED: <b>Brian Oliver</b>	DATE: <b>08/21/14</b>	<b>CAGE CODE :</b> 32559	<b>SHEET #</b> 2 OF 2
CAD GENERATED DOCUMENT, DO NOT MEASURE DRAWING.			