

## DETAILS

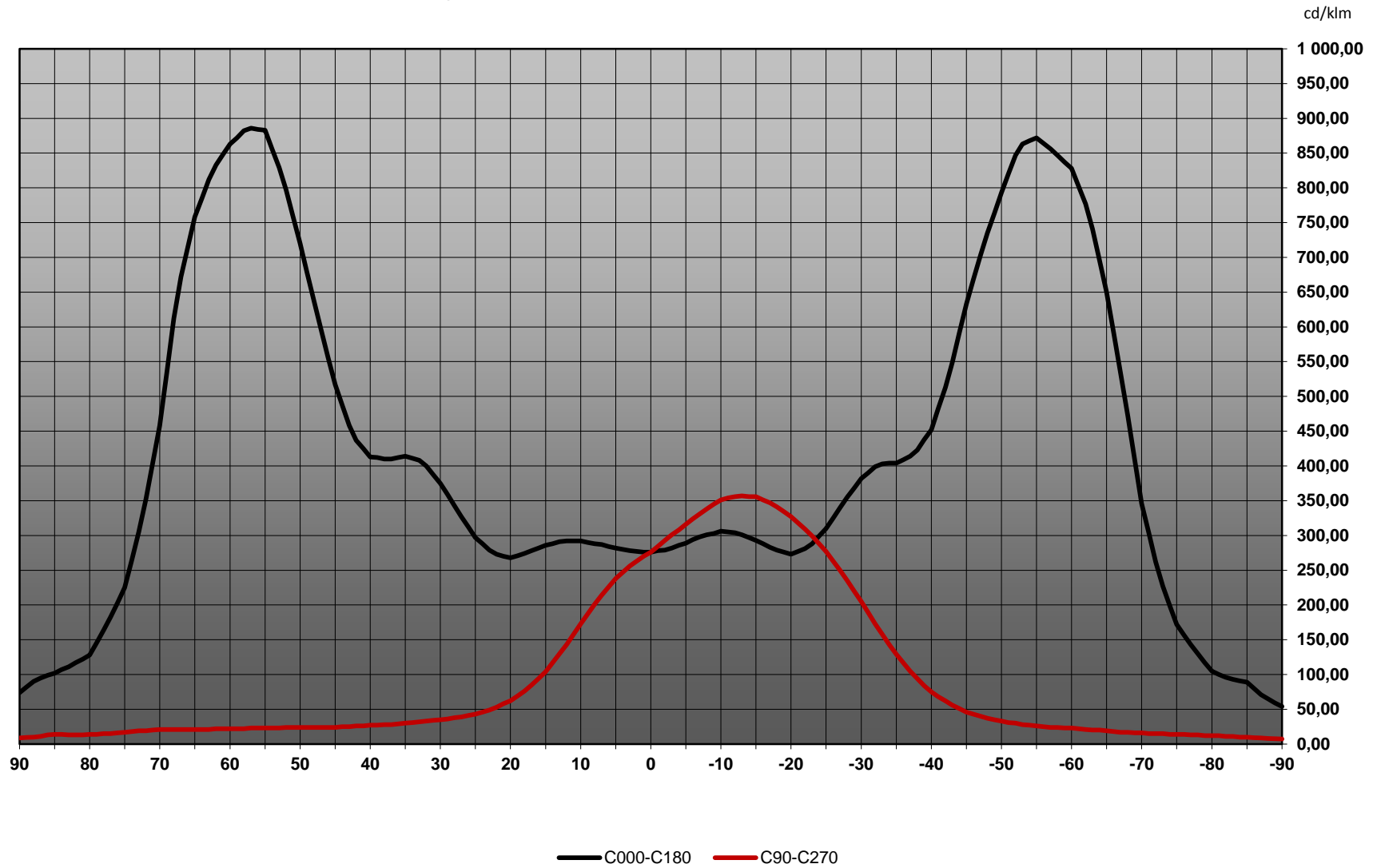
<b>Product Number</b>	C12786_STRADA-K
<b>Family</b>	Strada
<b>Type</b>	Lens
<b>Color</b>	clear
<b>Diameter</b>	19,6 + 15,5 mm
<b>Height</b>	8,7 mm
<b>Style</b>	rectang
<b>Optic Material</b>	PMMA
<b>Holder Material</b>	
<b>Fastening</b>	screw, glue, pin
<b>Status</b>	production ready
<b>ROHS Compliant</b>	Yes
<b>Date Updated</b>	7/01/2015



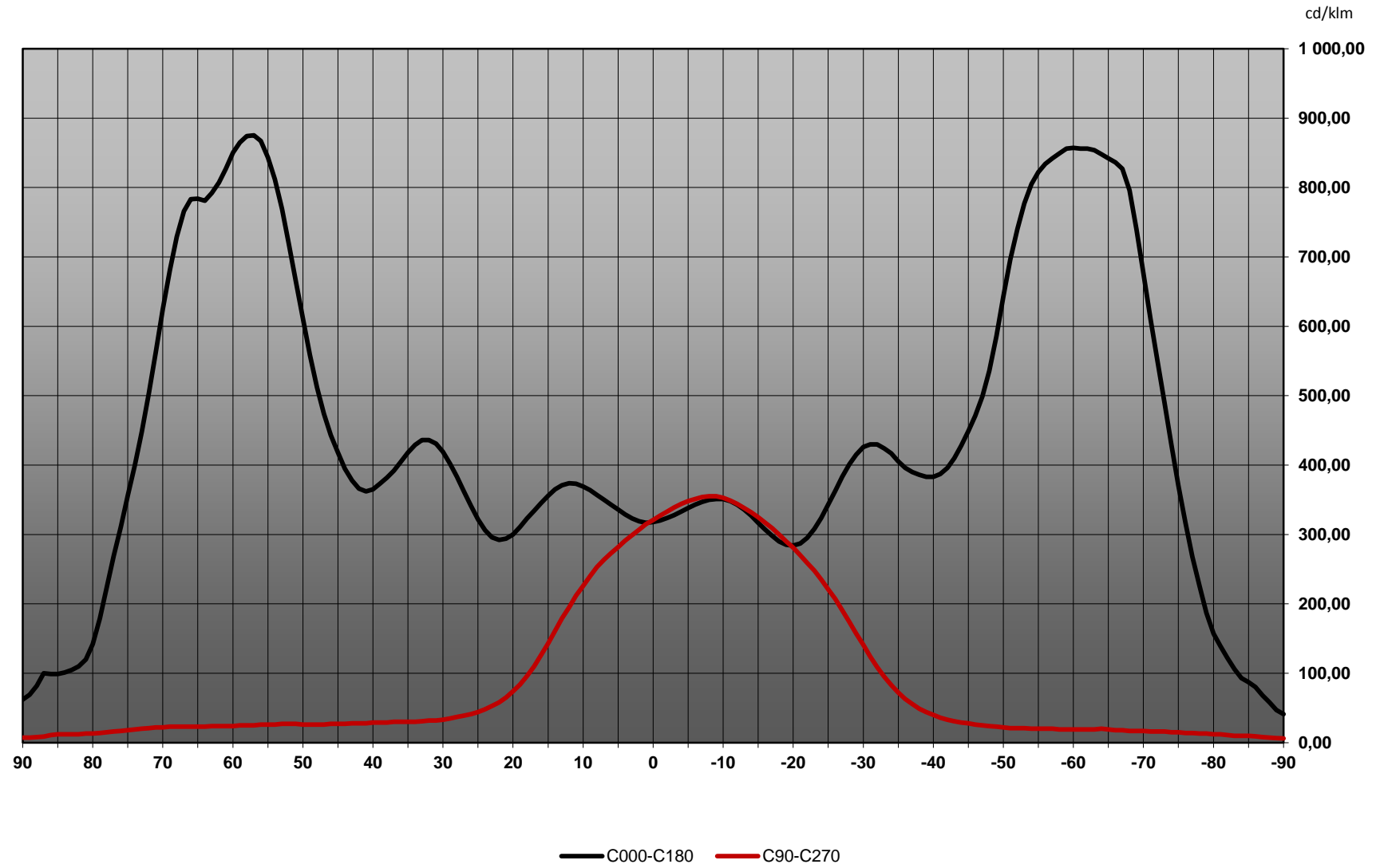
## OPTICAL PROPERTIES

LED	Viewing Angle	Light Beam	Efficiency	cd/lm	Connector
XP-G	Asymmetric deg	Streetligh...	95 %	1.000	-
XT-E	Asymmetric deg	Streetligh...	96 %	1.100	-
XB-D	Asymmetric deg	Streetligh...	96 %	1.130	-
XP-G2	sim: Asymmetri	Streetligh...	sim: 94 %	-	-
LH351Z	asymmetric deg	Streetligh...	94 %	1.000	-

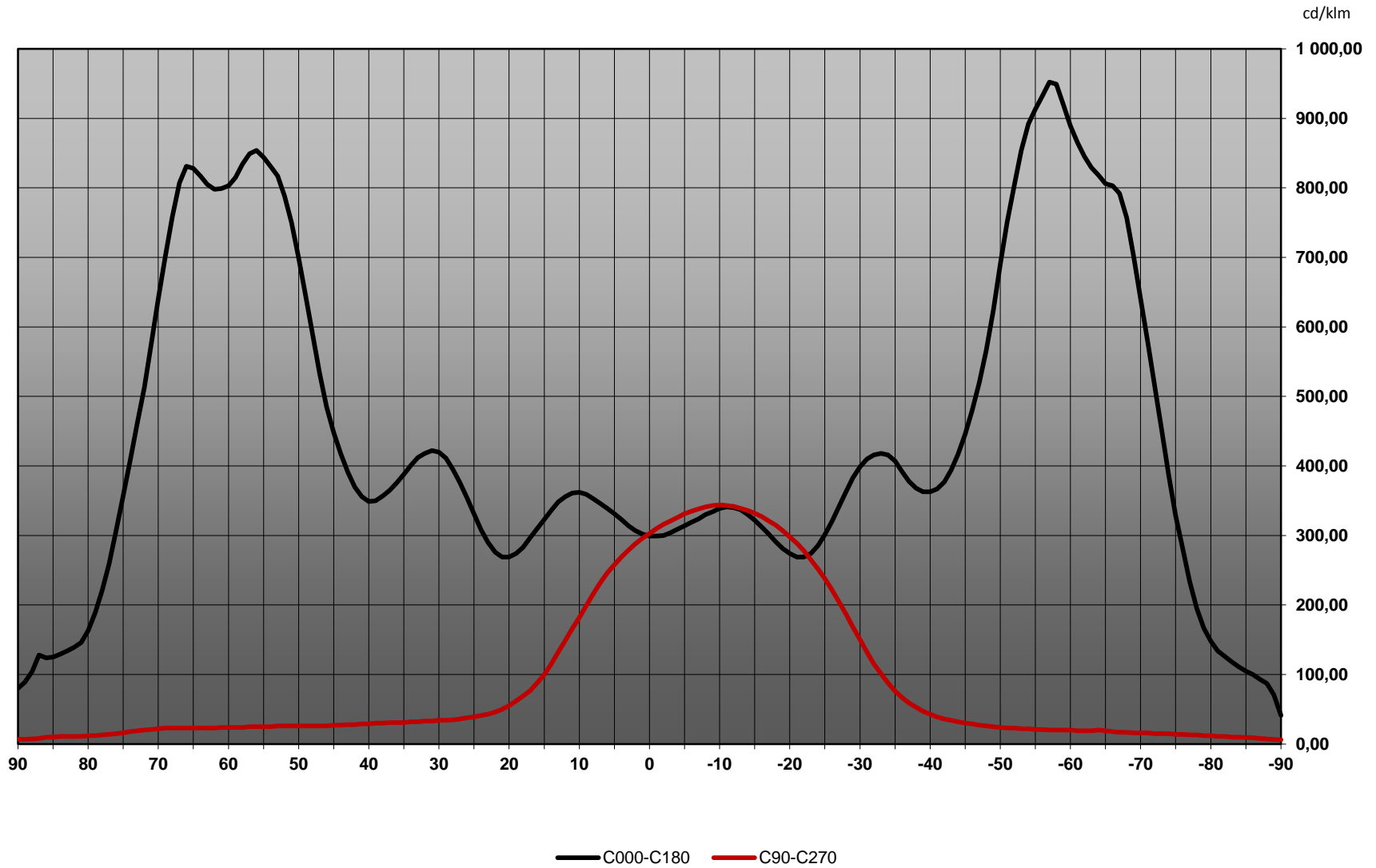
# Absolute intensity of CA12787\_&\_C12786\_STRADA-K\_(XP-G)

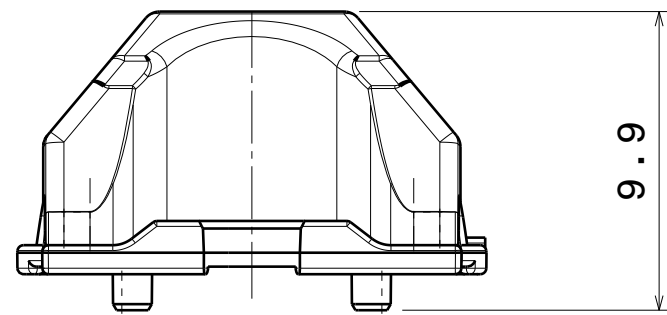


# Absolute intensity of C12786\_STRADA-K\_(XT-E)

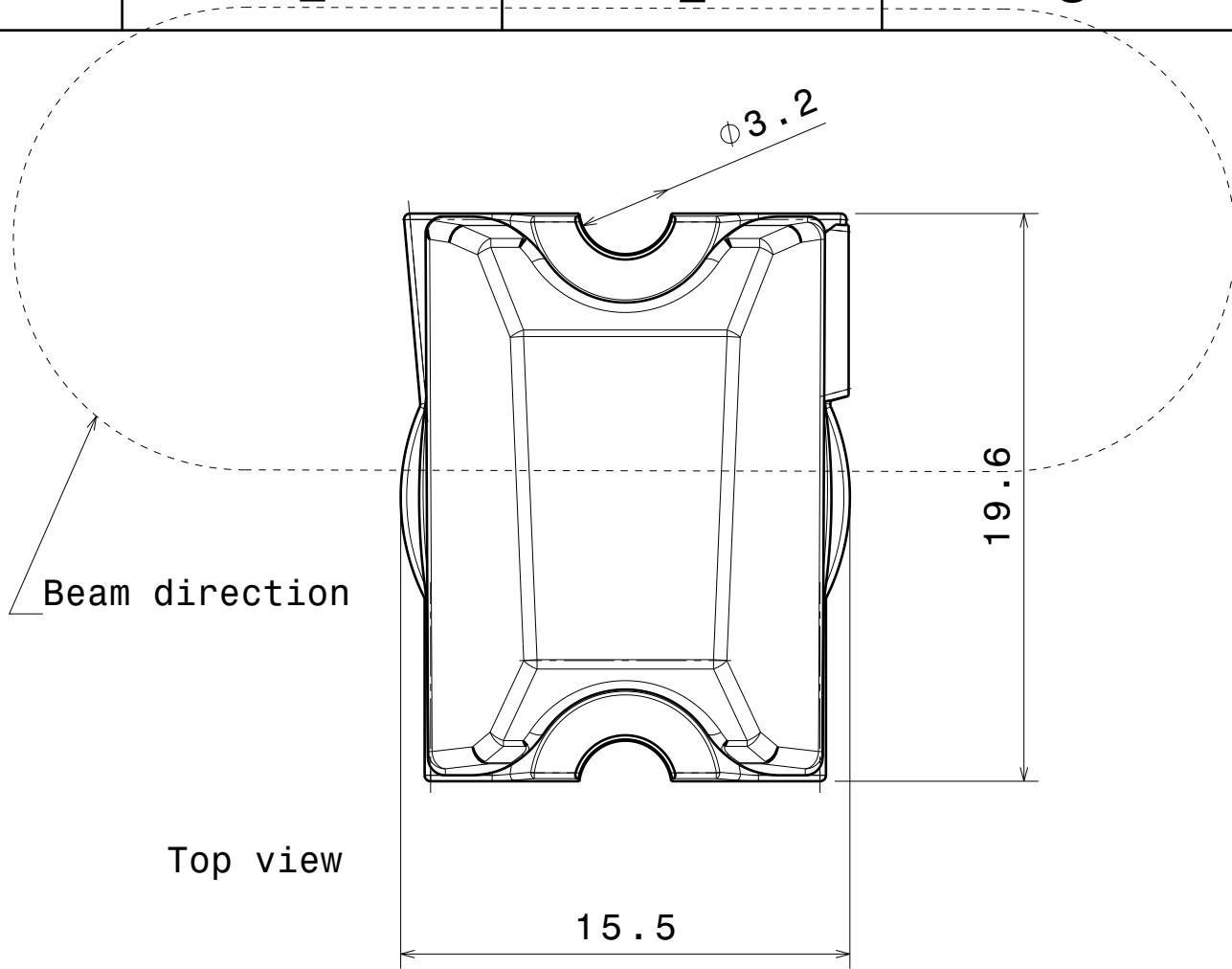


# Absolute intensity of C12786\_STRADA-K\_(XB-D)



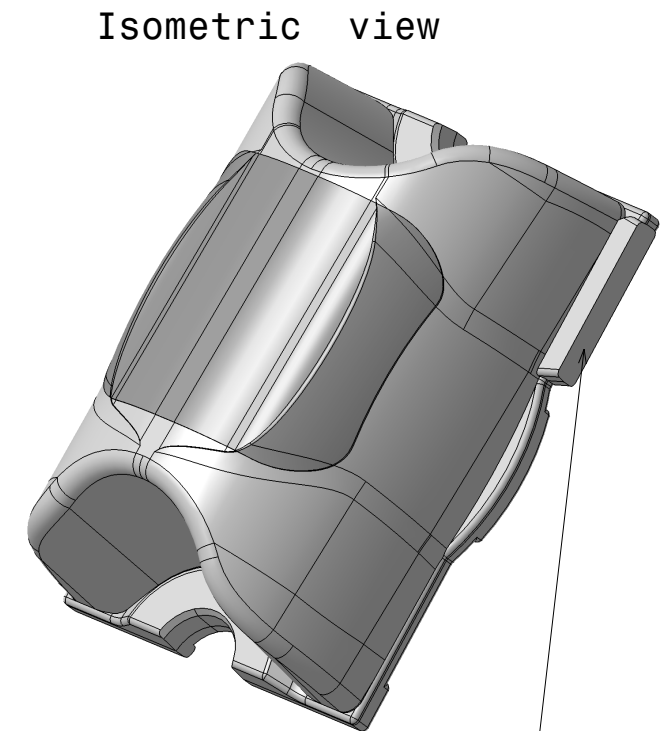


Front view



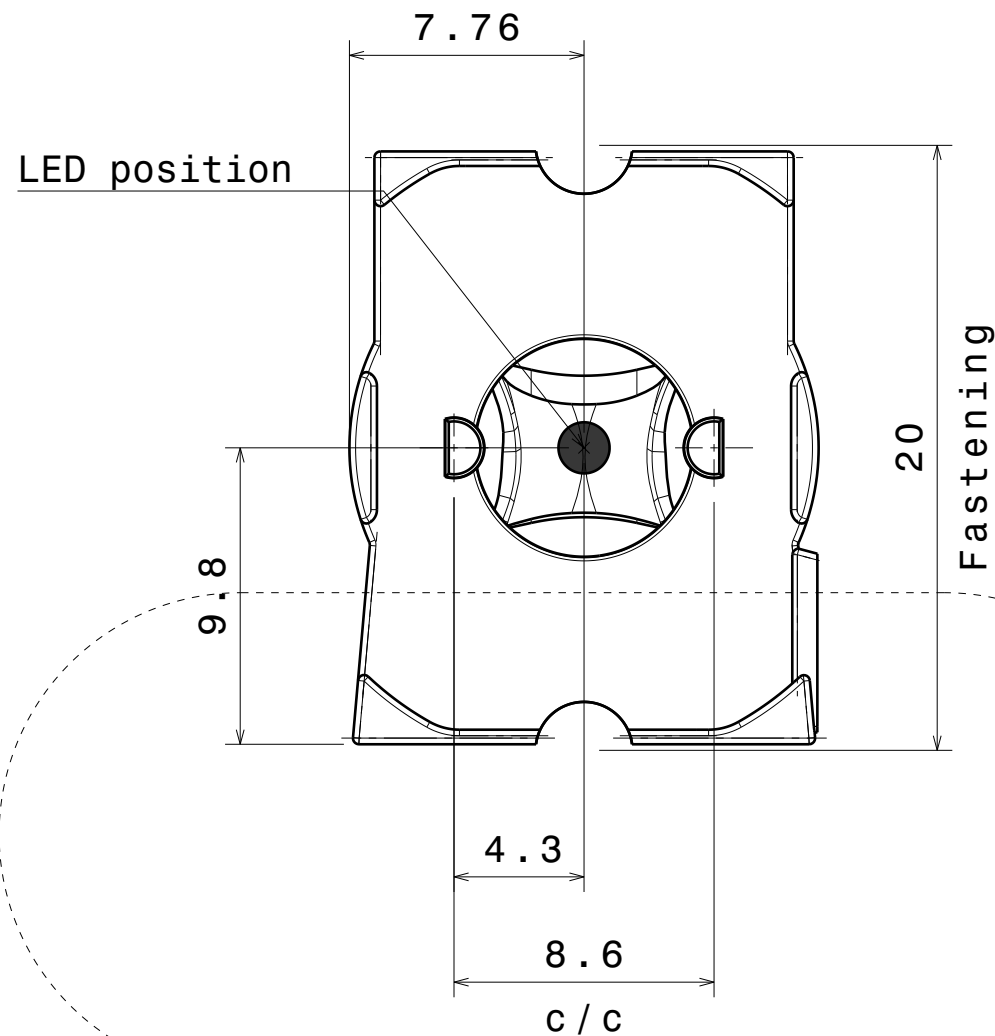
Beam direction

Top view



Isometric view

Injection gate



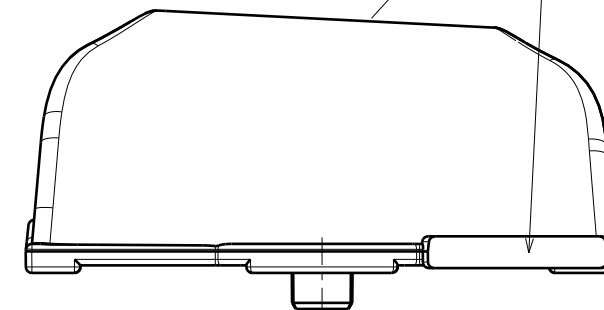
LED position

Fastening

Beam direction

Bottom view

Asymmetric beam direction



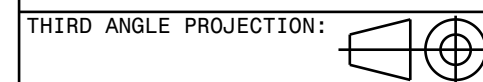
Side view

INDEX	PART NO	DESCRIPTION	MATERIAL
1	C12786	STRADA-K	PMMA

Tolerances if not otherwise shown  
 According to DIN ISO 2768-1  
 Linear measures:  
 Up to 30mm class M, otherwise class C.  
 According to DIN ISO 2768-2  
 Form and position: class L



Ledil Oy  
 Salorankatu 10  
 FIN 24240 SALO  
 Finland



THIRD ANGLE PROJECTION:

DRAWING TITLE

Datasheet\_STRADA-K

This drawing is the property of LEDiL Oy. It may not be reproduced, copied or communicated without a written agreement with LEDiL Oy."

SIZE PART NUMBER

A3

SCALE

4:1

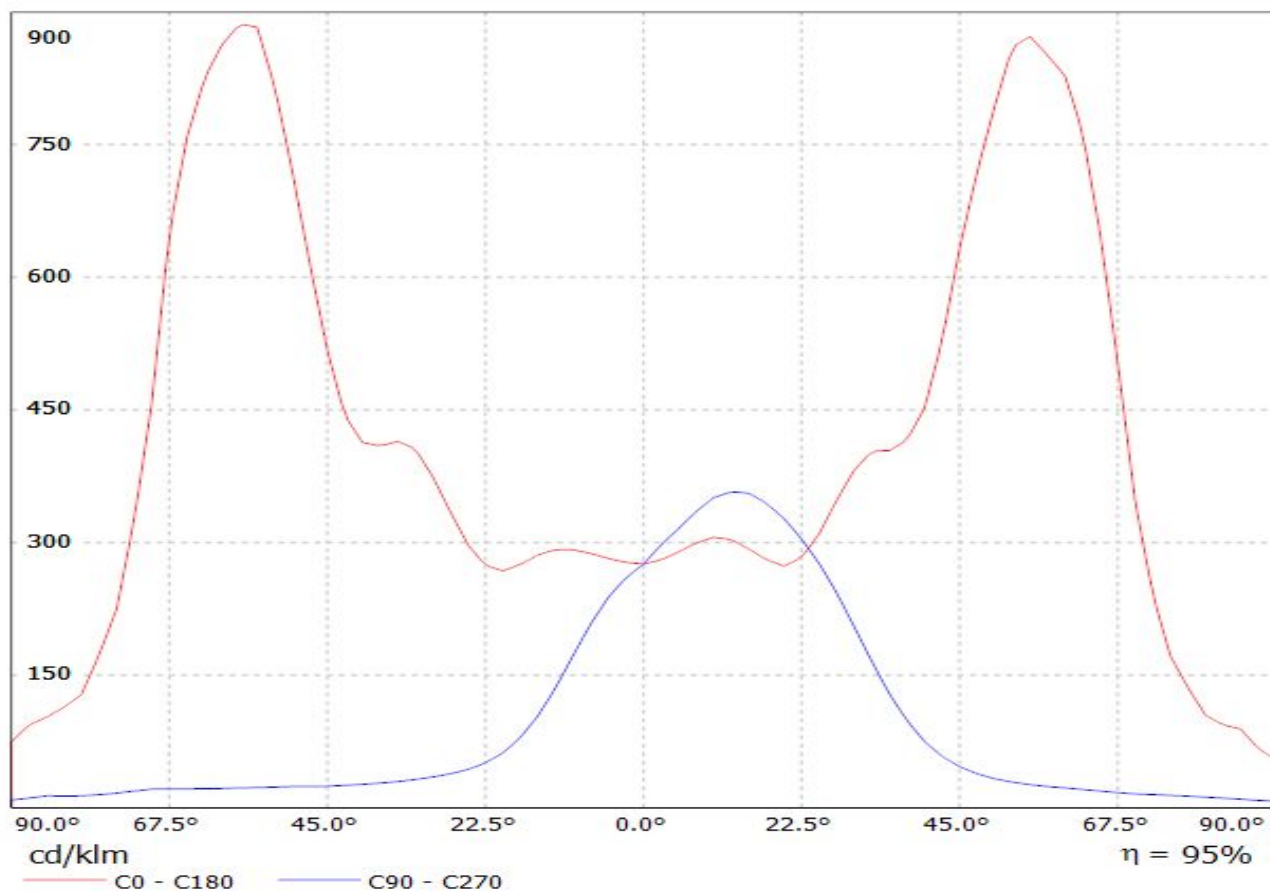
WEIGHT

(g)

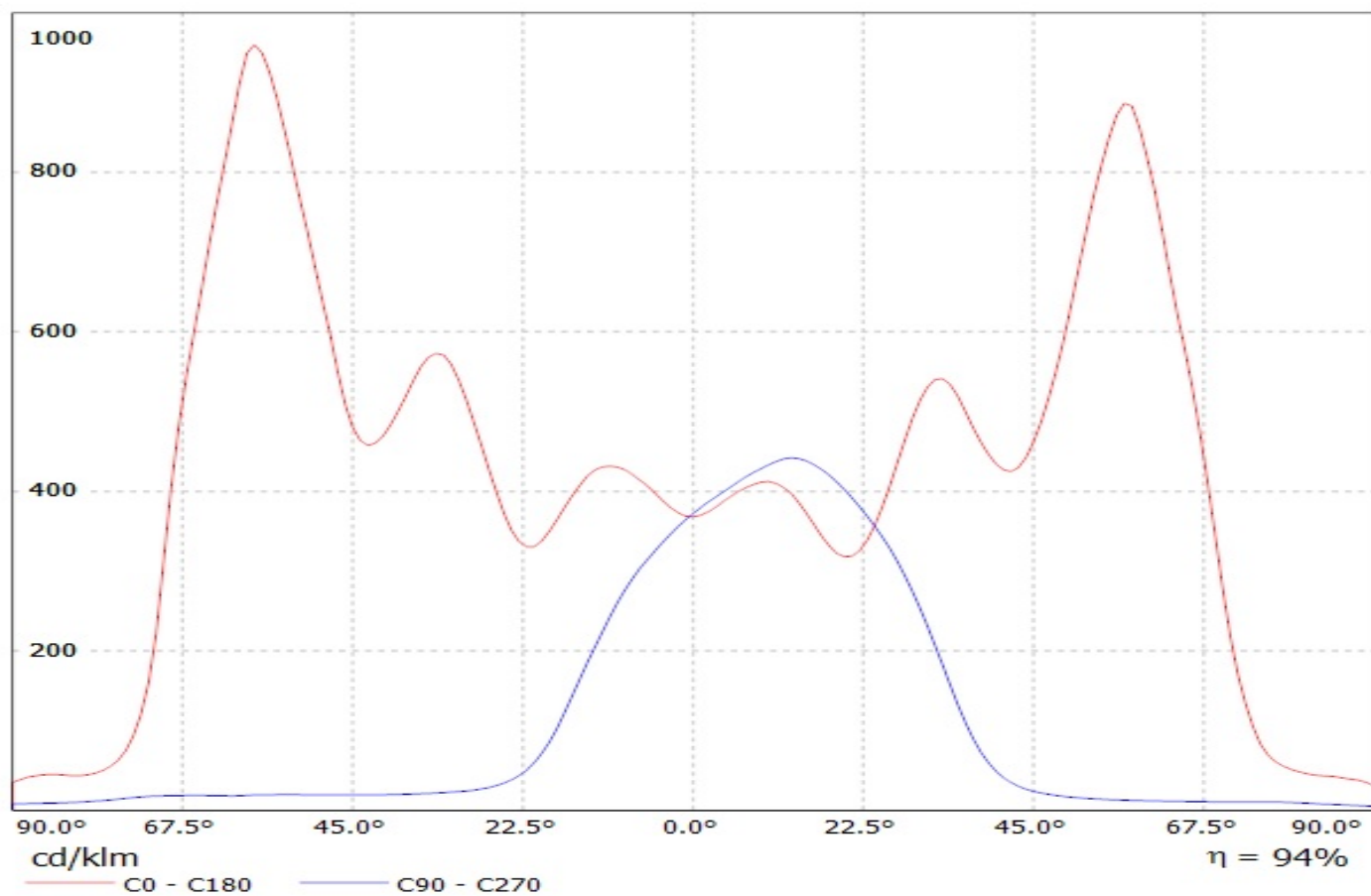
SHEET

1/1

Luminaire: LEDIL OY CA12787\_ & C12786\_STRADA-K\_(XP-G) Eff=95%  
Lamps: 1 x Cree XP-G 86.6lm@ 250mA

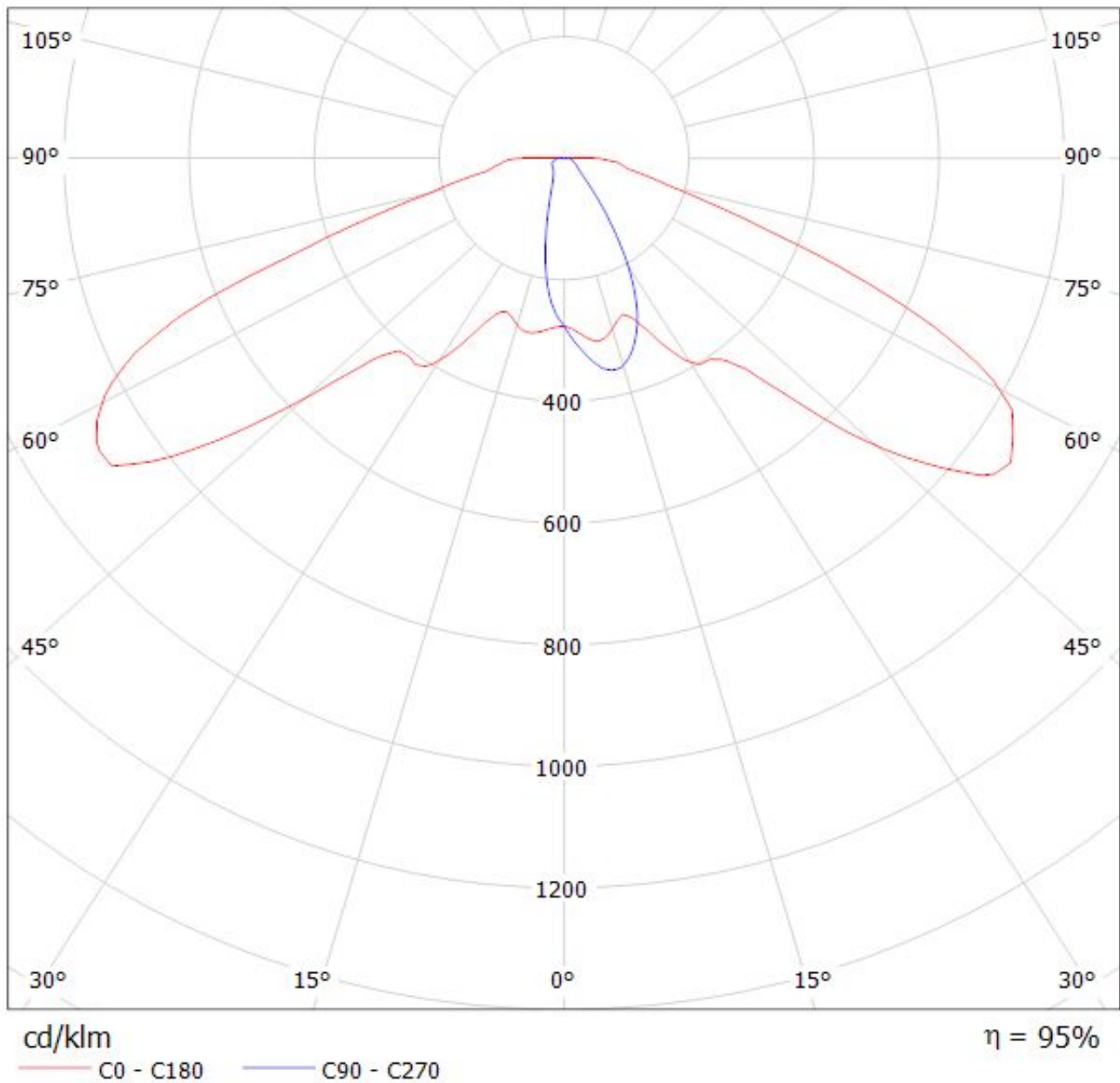


Luminaire: LEDiL Oy C12786\_STRADA-K\_(LH351Z)  
Lamps: 1 x SAMSUNG\_LH351Z\_93.96lm@250mA\_P=0.747026W\_I=249.9mA



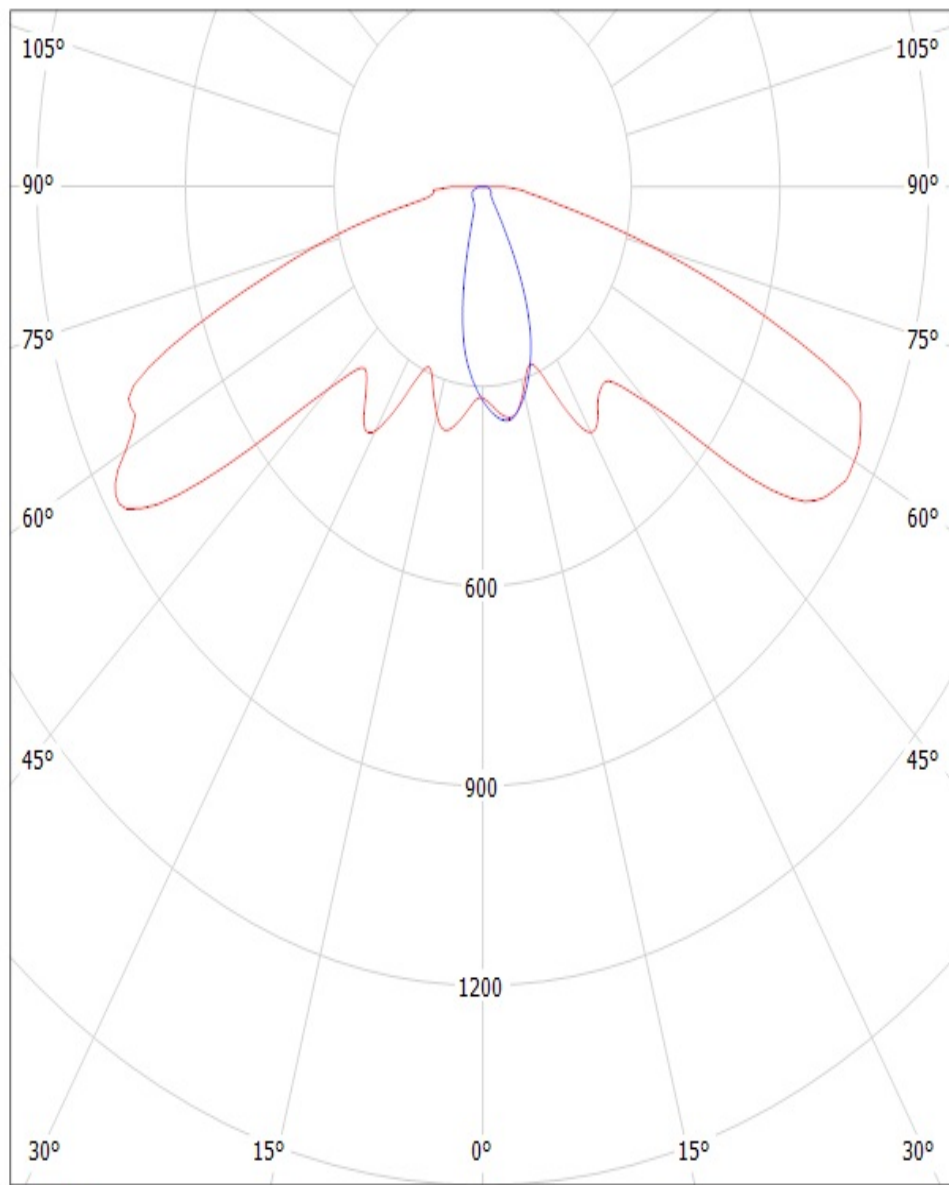
Luminaire: LEDIL OY CA12787\_&\_C12786\_STRADA-K\_(XP-G) Eff=95%

Lamps: 1 x Cree XP-G 86.6lm@ 250mA





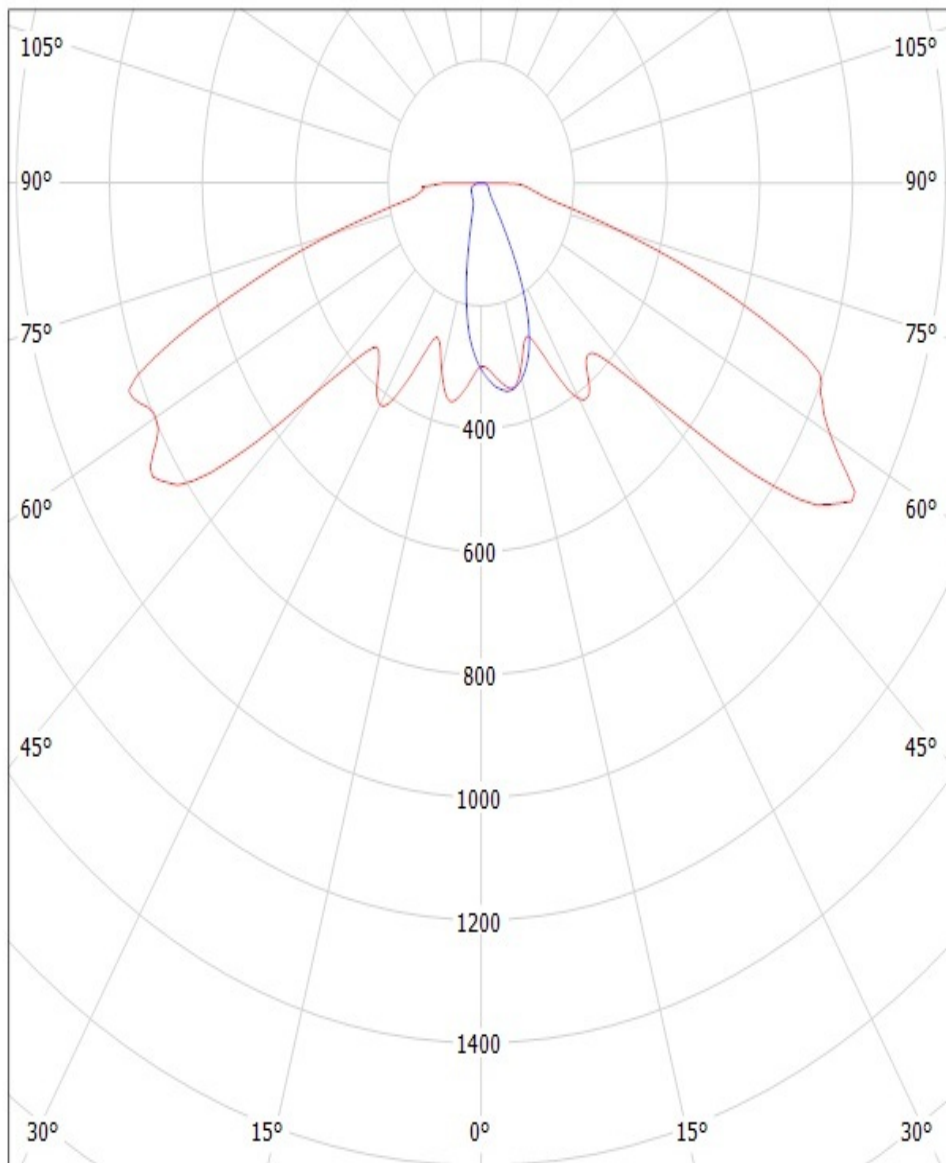
Luminaire: LEDiL OY C12786\_STRADA-K\_(XT-E) Eff. 96%  
Lamps: 1 x Cree XT-E AWT (100lm@250ma)



cd/klm

— C0 - C180    — C90 - C270

Luminaire: LEDiL Oy C12786 STRADA-K (XB-D) Eff. 96%  
Lamps: 1 x Cree XB-D (95lm@250mA)

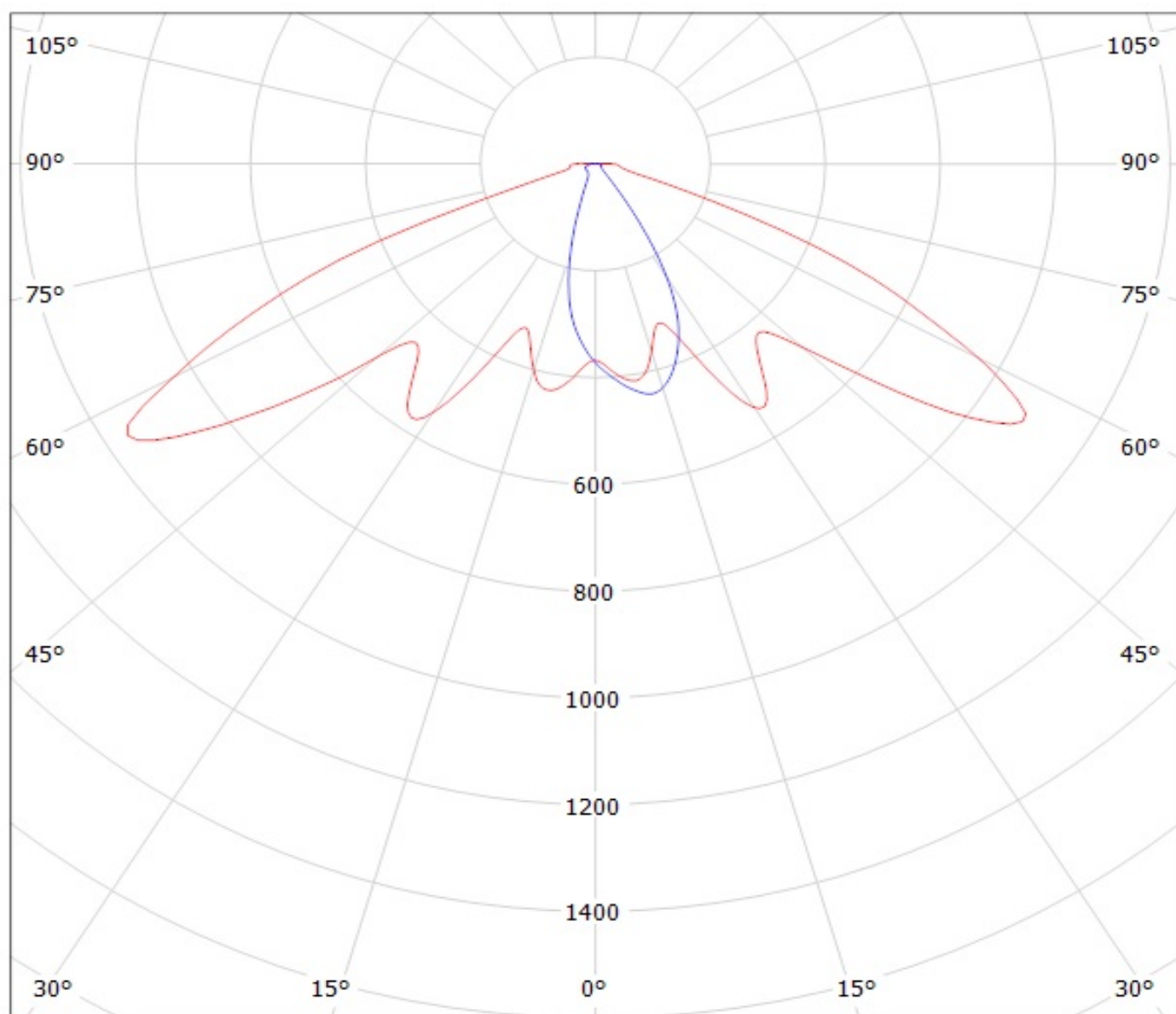


cd/klm

— C0 - C180    — C90 - C270

Luminaire: LEDiL Oy C12786\_STRADA-K\_(LH351Z)

Lamps: 1 x SAMSUNG\_LH351Z\_93.96lm@250mA\_P=0.747026W\_I=249.9mA



cd/klm

— C0 - C180

— C90 - C270

$\eta = 94\%$

**NOTE: The typical divergence will be changed by different color, chip size and chip position tolerance. The typical total divergence is the full angle measured where the luminous intensity is half of the peak value.**