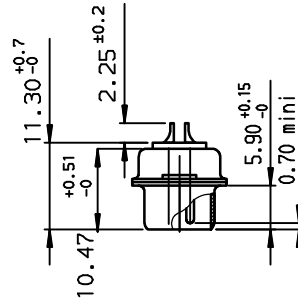
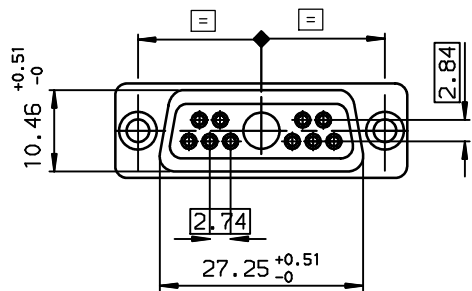
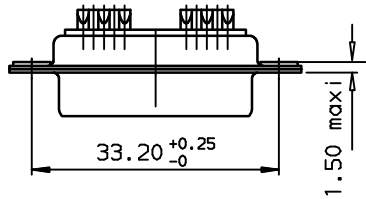
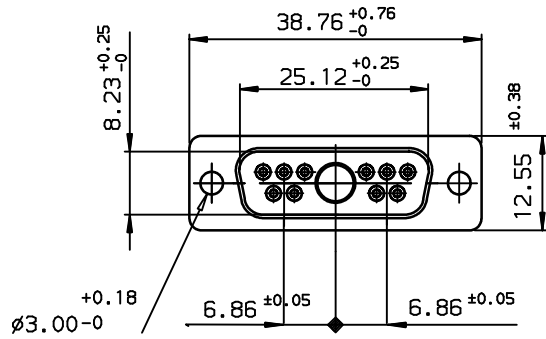




Copyright FCI.



TIN LEAD PART NUMBER

DA11W1PA00

PART NUMBER

LEAD FREE PART NUMBER

DA11W1PA00LF

PART NUMBER

GENERAL CHARACTERISTICS AND ROHS INFORMATIONS:
SEE DRAWING C01-8639-0003

European Views

rev	ecn no	dr	date
B	-	DEB	2003/10/21
C	LS05-005	MPE	2005/03/16
D	LS06-0095	LGO	2006/07/20
-	-	-	-
-	-	-	-
-	-	-	-

www.fciconnect.com		surface ISO 1302 ✓	tolerance std ISO 406 ISO 1101	projection mm
TOLERANCES UNLESS OTHERWISE SPECIFIED				
Dr	JOUBERT	1998/01/08	ANGULAR	LINEAR
Eng	PESSON	1998/01/08	0.X	±0.1
Chr	LEGARE	1998/01/08	0.XX	±0.1
Appr	LEGARE	1998/01/08	0.XXX	±0.1
Product family			D-SUB	Spec ref -
title PIN CONNECTOR FOR POWER CONTACT.		chg no C01-8639-0702		Rev. D
catalog no		CUSTOMER sheet 1 of 1		

REV F - 2006-04-17