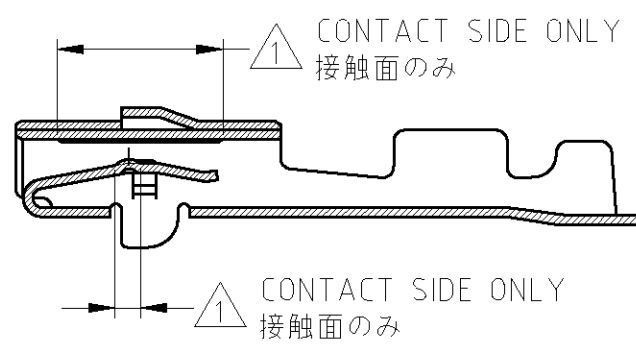
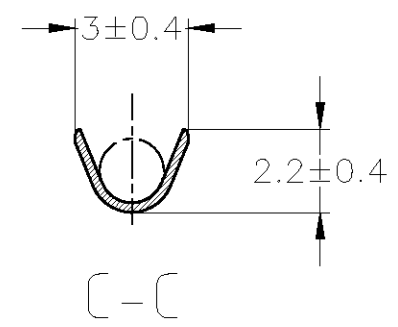
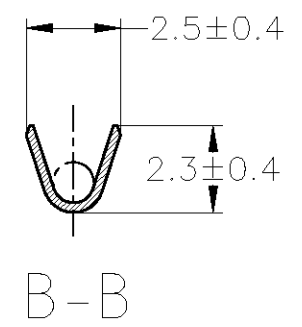
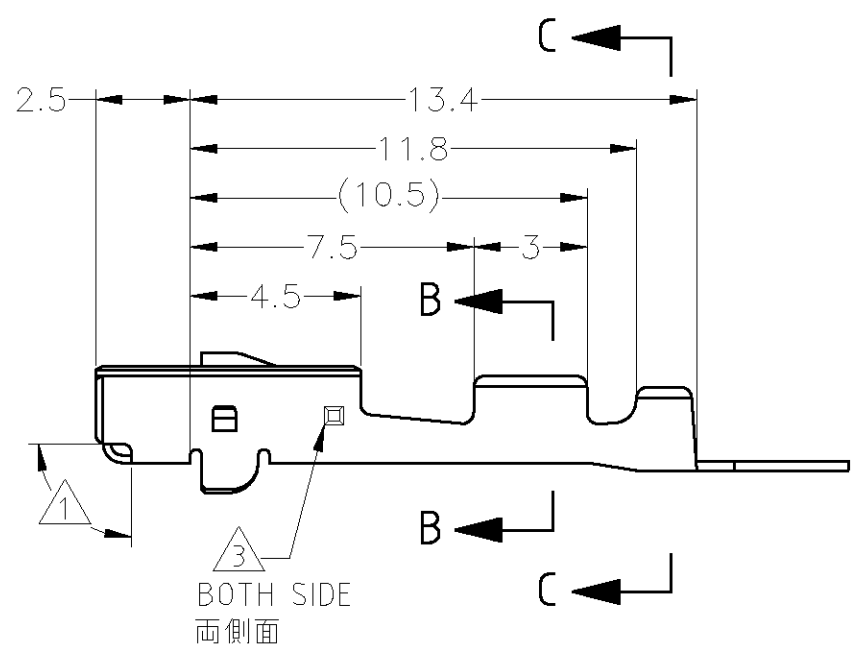
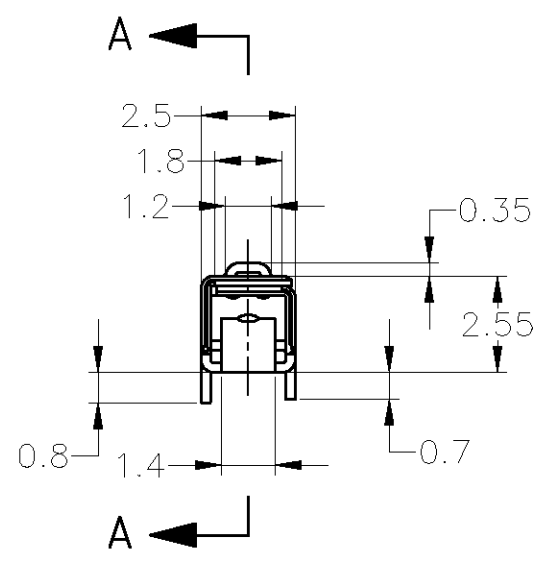
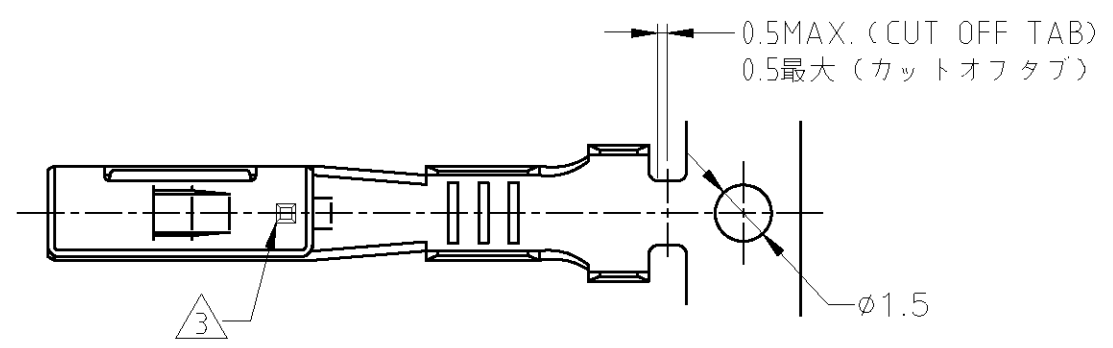


THIS DRAWING IS UNPUBLISHED. RELEASED FOR PUBLICATION
 © COPYRIGHT - By Tyco Electronics JAPAN G.K. ALL RIGHTS RESERVED.

LOC	DIST	REVISIONS					
J	-	P	LTR	DESCRIPTION	DATE	DWN	APVD
		F1		REDRAWN W/CHANGE	ECR-12-012125	05JUL2012	TS KB



- ① SELECTIVE GOLD
 - ② APPLICATION SPEC NO. 114-5160
 - ③ GOLD PLATING DISCERNMENT STAMP
- ① 部分金めっき
 - ② 取付適用規格番号 114-5160
 - ③ 金めっき識別用刻印

ZKLF-5	-	SELECTIVE GOLD	175275-5
BRASS	179424-2	SELECTIVE GOLD	175275-2
MATERIAL	LOOSE PIECE CONTACT PN	FINISH	PART NUMBER

THIS DRAWING IS A CONTROLLED DOCUMENT.

DIMENSIONS:	TOLERANCES UNLESS OTHERWISE SPECIFIED:
mm	0 PLC ± -
	1 PLC ± -
	2 PLC ± -
	3 PLC ± -
	4 PLC ± -
	ANGLES ± -

TOLERANCES UNLESS OTHERWISE SPECIFIED:	
一般公差	
10 ≥	: ±0.2
30 ≥ > 10	: ±0.25
100 ≥ > 30	: ±0.3
ANGLE	: ±3°

MATERIAL	SEE TABLE
FINISH	SEE TABLE

DWN	T. SHINOHARA	05JUL2012	STE TE Connectivity
CHK	K. BETSUI	05JUL2012	
APVD	K. BETSUI	05JUL2012	
PRODUCT SPEC	NAME		
APPLICATION SPEC	070II SERIES S RECEPTACLE CONTACT		
WEIGHT	0.27 g	SIZE	A3
CUSTOMER DRAWING		CAGE CODE	00779
		DRAWING NO	C-175275
		RESTRICTED TO	-
		SCALE	5:1
		SHEET	1 OF 1
		REV	F1