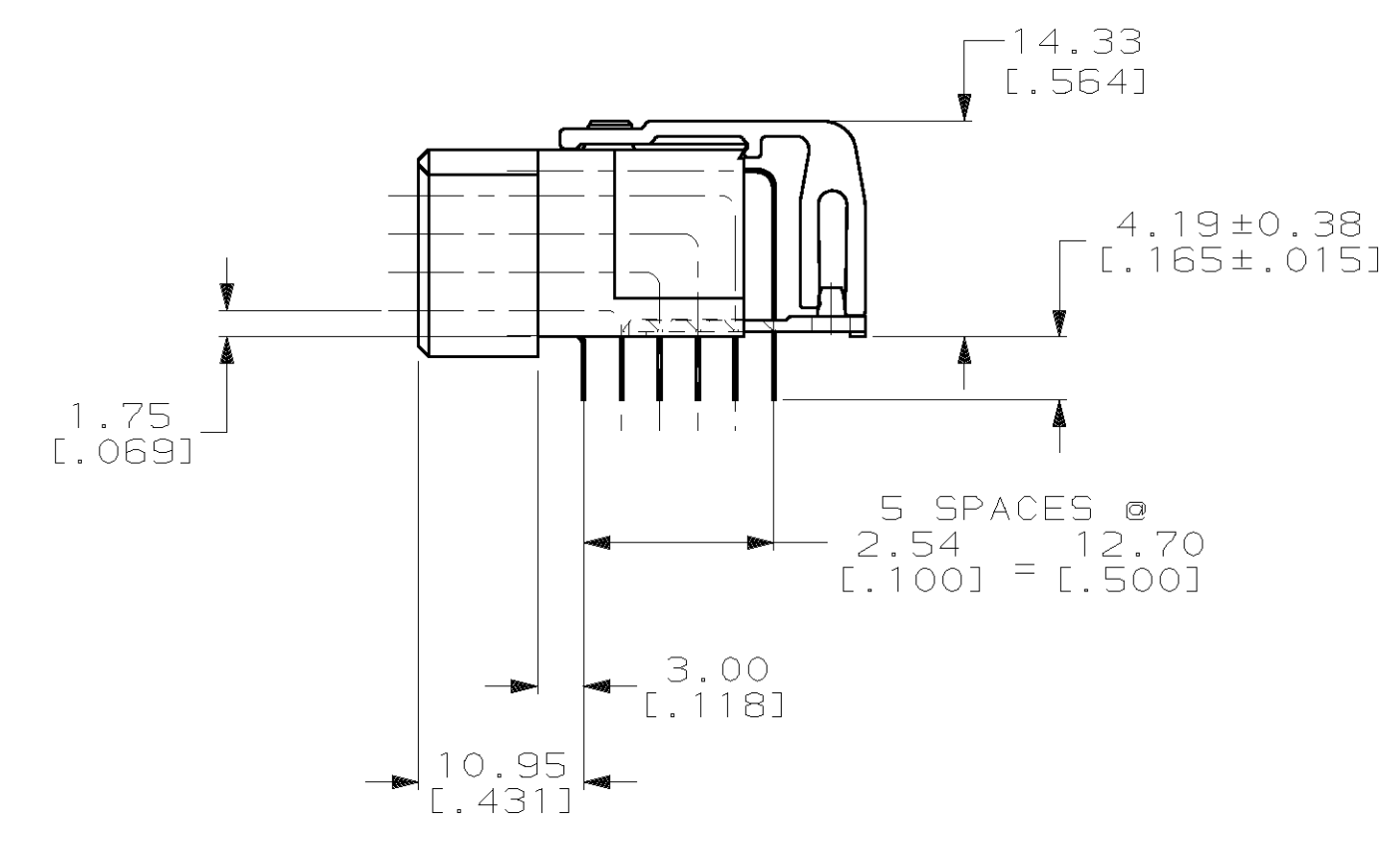
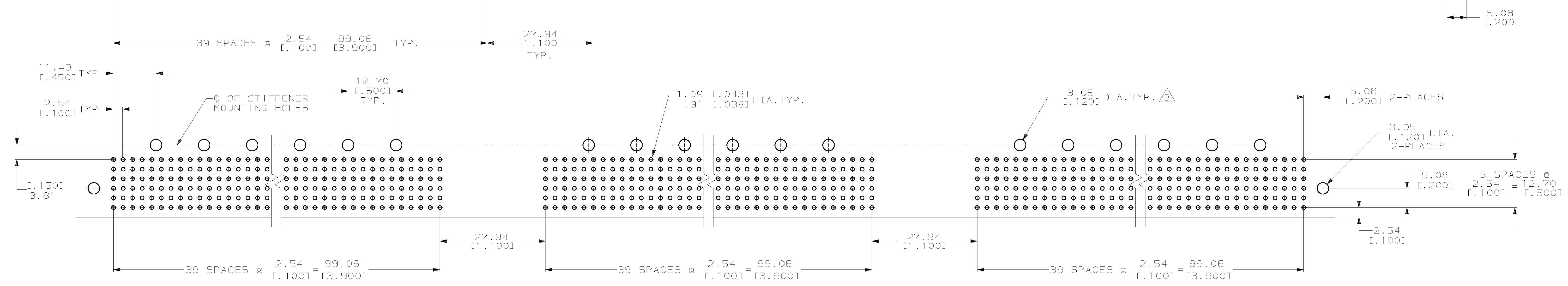
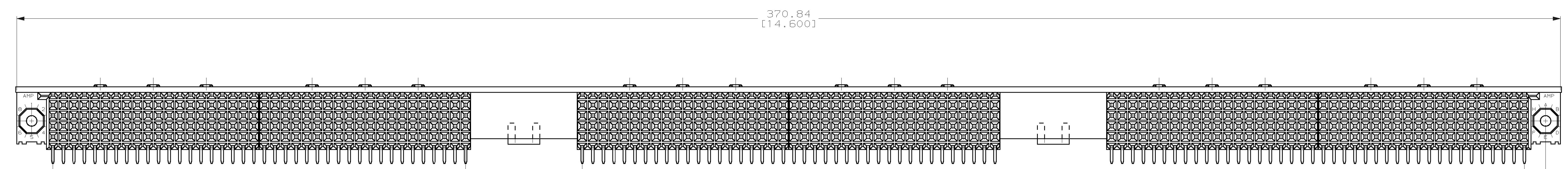
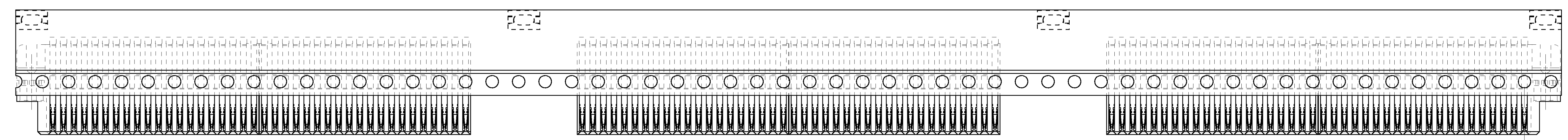


LOC	DIST	P	F	ZONE	LTR	REVISIONS	DATE	APPD
AD	25					0 REL. PER NPR 92-5620-015-1	07-22-92	DLH
						A REV. PER ECN. 0527-92	01-20-93	RL
						B REV. PER ECN. 0010-0888-93	7/9/93	NFS
						C REV. PER ECN. 0010-1478-93	10/14/93	DLH
						D EC 1811-94 SH	6-9-95	WLM
						E EC 0943-95 SH	7-18-95	DLH
						F REV PER EC 0622-0109-99	01 JUN 99	WM
						G REV PER EC 001B-0015-01	25 JAN 01	WM



- ⚠ MATERIAL; HOUSING-GLASS FILLED POLYESTER, COLOR-BLACK  
CONTACT-COPPER ALLOY  
STIFFENER-ALUMINUM
- ⚠ FINISH: .000050 MIN THICK NICKEL UNDERPLATE ALL OVER WITH .000030 MIN GOLD ON CONTACT MATING AREAS, TIN LEAD ON TAILS.
- ⚠ RECOMMENDED MOUNTING SCREW IS A BINDING HEAD #2 THREAD FORMING TYPE AB THREADS; STAINLESS STEEL. MAXIMUM SPACING OF 38.10 [1.500] INCHES.



RECOMMENDED PC BOARD LAYOUT

536374-1 AS SHOWN

DO NOT SCALE PRINT. UNLESS SPECIFIED DIMENSIONS IN INCHES TOLERANCES ON: 2 PLC DEC ± 3 PLC DEC ± ANGLES ±		DR 06-02-92 R.LEE CHK 07-27-92 D.HOFFMAN APPD 07-27-92 D.HOFFMAN APPD 07-27-92 D.HOFFMAN		PART NO	
MATERIAL ⚠		PRODUCT SPEC -		AMP Incorporated Harrisburg, PA 17105-3508	
FINISH ⚠		APPLICATION SPEC -		SIZE D	CAGE CODE 00779
WEIGHT -		DRAWING NO 536374		NAME RECEPTACLE ASSEMBLY, TBC PLUS, MODULAR 720 POSITION	
		SCALE -	SHEET 1 OF 1		