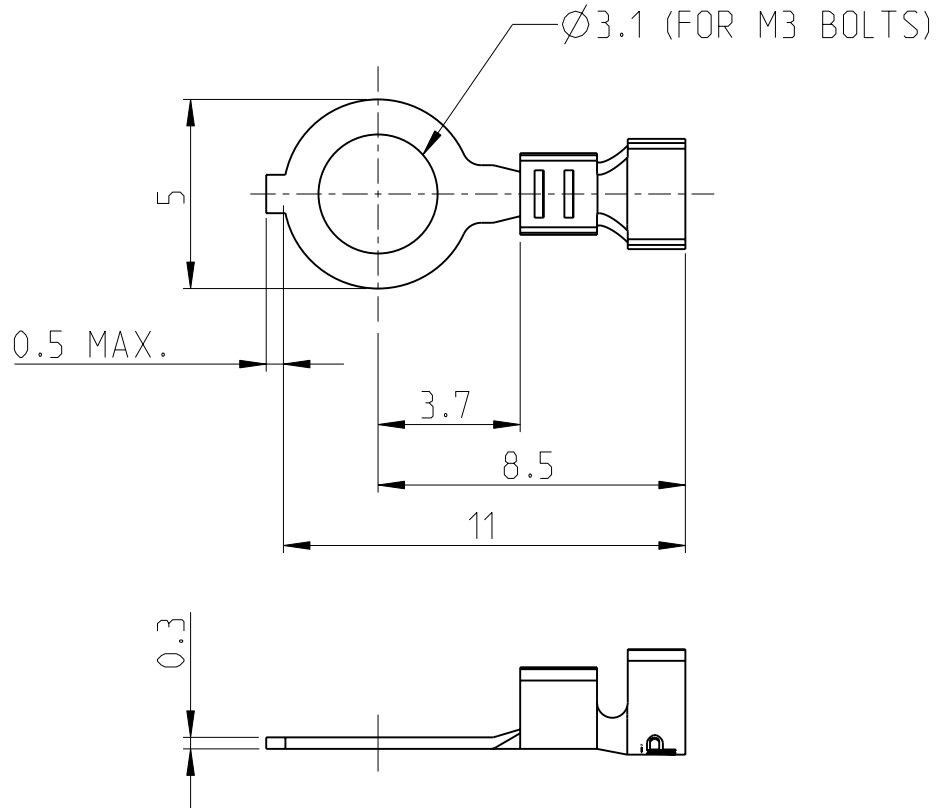


LOC	DIST	REVISIONS					
		P	LTR	DESCRIPTION	DATE	DWN	APVD
IR	-		E1	-3, -4 AND -6 VERSIONS OBSOLETED	22OCT2010	PKS	MP
			E2	ECR-10-026537	09JUN2011	KK	HMR

NOTE:

1. WITH PAPER LAYER.
2. WIRE RANGE: 0.3-0.55 Sq.mm
3. INSULATION DIA. RANGE: 1.3-2.0



OBSOLETE		PRE-TIN	BRASS	160548-6
SUPERSEDED BY 160548-2	SPLICE FREE	PRE-TIN	BRASS	160548-4
SUPERSEDED BY 160548-1	SPLICE FREE		BRASS	160548-3
		PRE-TIN	BRASS	160548-2
			BRASS	160548-1
	NOTES	FINISH	MATERIAL	PART NO


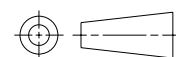
1963

RELEASED FOR PUBLICATION

ALL RIGHTS RESERVED.

THIS DRAWING IS UNPUBLISHED.

© COPYRIGHT 1963

DIMENSIONS: mm	DWN SENTHIL 25-OCT-2010	MATERIAL	SEE TABLE	FINISH	SEE TABLE
TOLERANCES UNLESS OTHERWISE SPECIFIED:	CHK SENTHIL 25-OCT-2010	 TE Connectivity			
0 PLC ±	APVD M.PERCHERKE 27-OCT-2010				
1 PLC ±	PRODUCT SPEC	NAME RINGTONGUE			
2 PLC ±0.02	APPLICATION SPEC	SIZE	CAGE CODE	DRAWING NO	RESTRICTED TO
3 PLC ±0.01		A 4	00779	©-160548	-
4 PLC ±	WEIGHT	CUSTOMER DRAWING			
ANGLES ±°		SCALE	5:1	SHEET	1 OF 1
				REV	E2