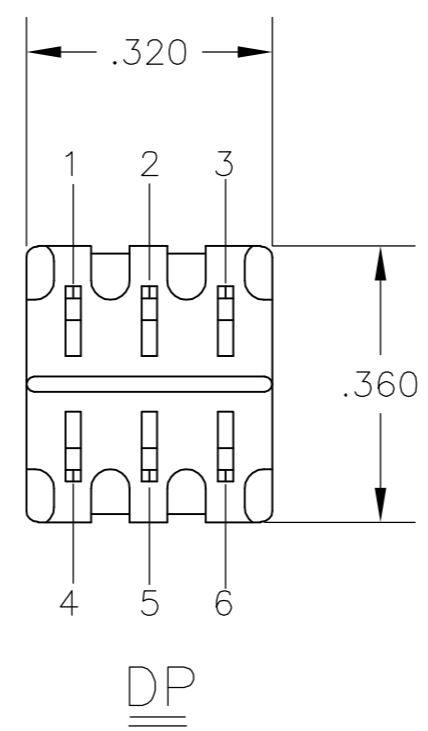
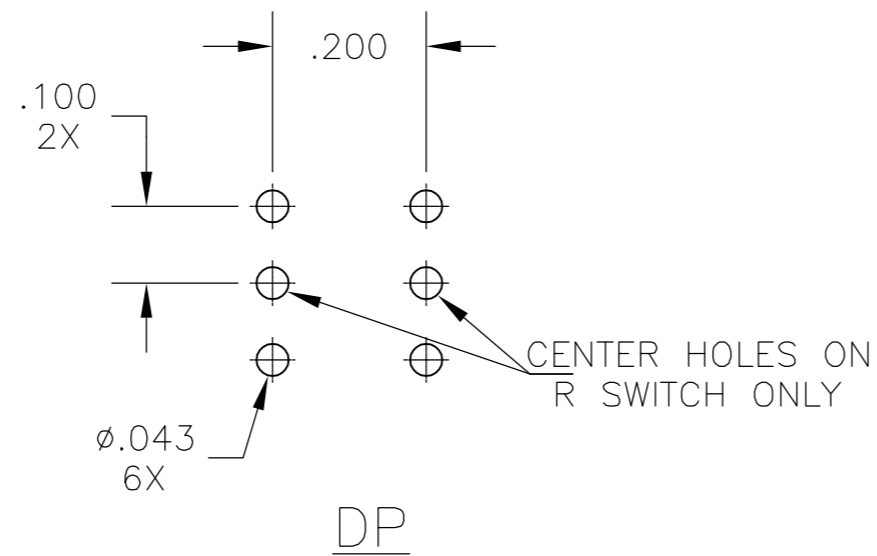
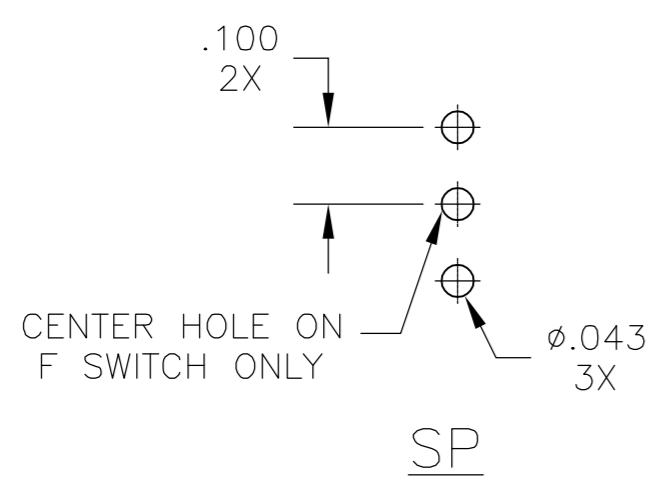
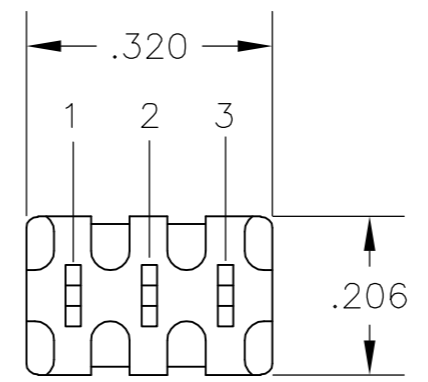
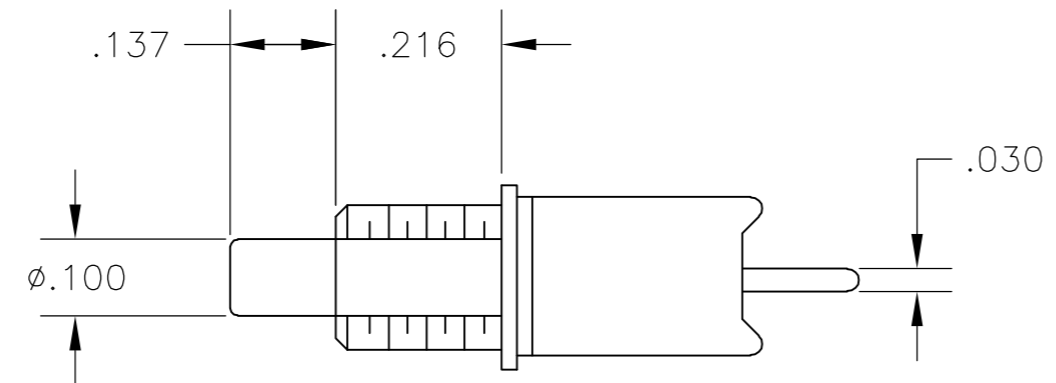
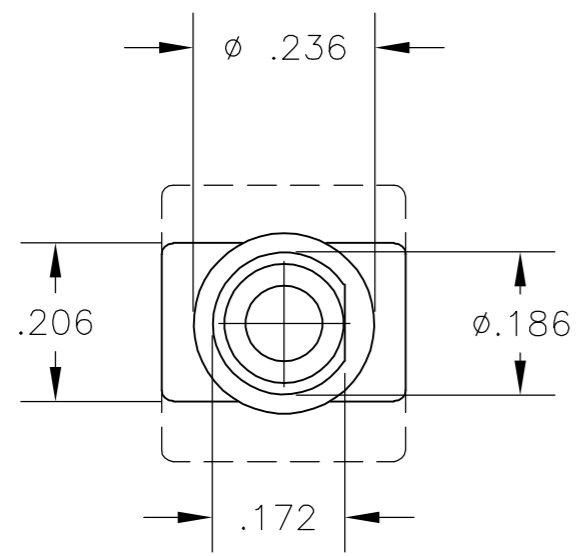
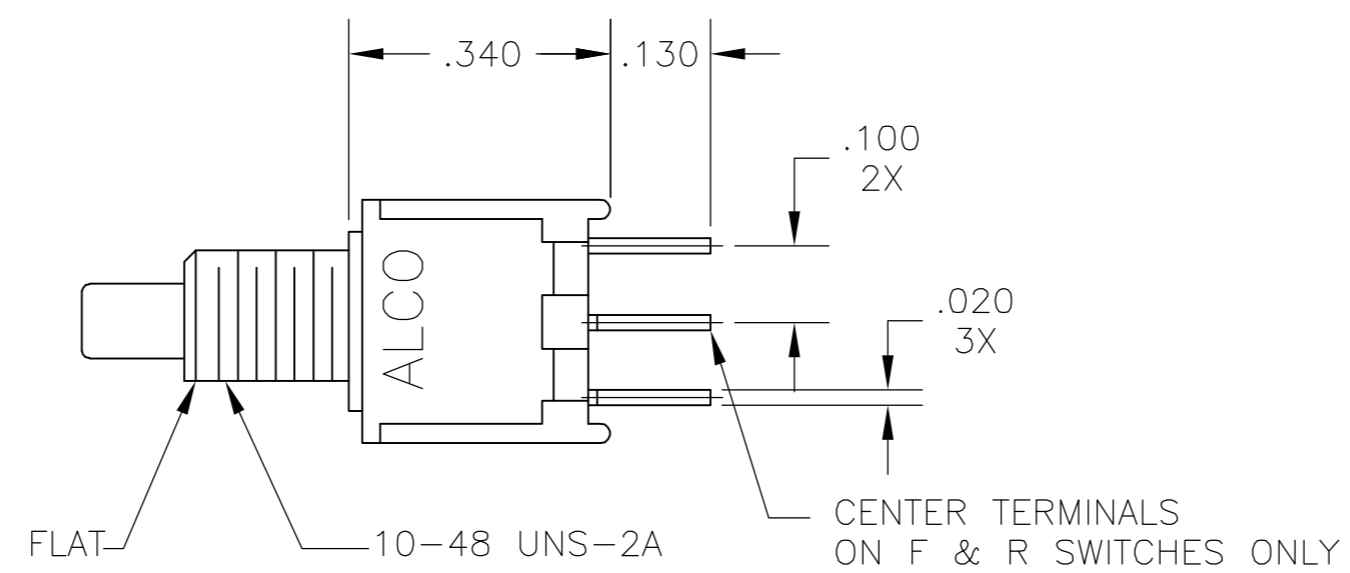


THIS DRAWING IS UNPUBLISHED. RELEASED FOR PUBLICATION
 © COPYRIGHT BY TYCO ELECTRONICS CORPORATION. ALL RIGHTS RESERVED.

LOC		DIST		REVISIONS			
P	LTR	DESCRIPTION	DATE	DWN	APVD		
B		ECO-06-000585	10AUG06	BSV	MK		



RECOMMENDED HOLE LAYOUT
 TOLERANCE ±.002 UNLESS OTHERWISE NOTED

SPECIFICATIONS:

MATERIALS:

CASE: HIGH TEMPERATURE POLYESTER.
 ACTUATOR BUTTON: POLYAMIDE, COLOR: SEE CHART BELOW.
 MOVING CONTACT: COPPER ALLOY, GOLD OVER NICKEL PLATE.
 FIXED CONTACT/TERMINAL: COPPER ALLOY. TIN/LEAD PLATE.
 TERMINAL SEAL: EPOXY.

ELECTRICAL:

CONTACT RATING: 0.4 VA MAX. @ 20 VDC OR PEAK AC.
 INITIAL CONTACT RESISTANCE: 20 MILLIOHMS MAX.
 INSULATION RESISTANCE: 1.000 MEGOHMS @ 500 VDC MIN.
 DIELECTRIC STRENGTH: 1.000 VOLTS RMS @ SEA LEVEL.
 LIFE EXPECTANCY: 100.000 CYCLES.

MECHANICAL:

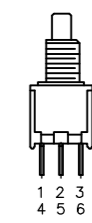
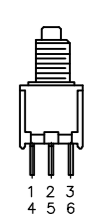
ACTUATION FORCE: 50 TO 400 GRAMS.
 ACTUATION TRAVEL: .030".

ENVIRONMENTAL:

OPERATING TEMPERATURE: -22°F TO +149°F (-30°C TO +65°C)
 STORAGE TEMPERATURE: -22°F TO +149°F (-30°C TO +65°C)

NOTES:

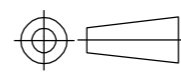
1. INTERPRET DRAWING PER ANSI Y14.5M-1982.
2. MOUNTING HARDWARE SUPPLIED: (1) LOCKWASHER (1) HEX NUT.

TERMINALS CONNECTED WITH BUTTON IN POSITIONS SHOWN.		
MODEL NO.		
TPC21RG-PC (*)	2 TO 1 (MOM) 5 TO 4	2 TO 3 (MOM) 5 TO 6
TPC21RG-PC (*)	OFF	1 TO 3 (MOM) 4 TO 6
TPC11FG-PC (*)	2 TO 1	2 TO 3 (MOM)
TPC11CG-PC (*)	OFF	1 TO 3 (MOM)

NOTE:
 DESIGNATION NUMBERS ARE FOR REFERENE ONLY AND DO NOT APPEAR ON THE SWITCHES

(*)	ACTUATOR BUTTON COLORS
(0)	BLACK
(2)	RED
(6)	BLUE

AUGAT D/N 40313-SD

THIS DRAWING IS A CONTROLLED DOCUMENT.		DWN S.KIRCORIAN 03OCT96	tyco Electronics Tyco Electronics Corporation Harrisburg, Pa 17105-3608	
DIMENSIONS: INCHES	TOLERANCES UNLESS OTHERWISE SPECIFIED:	CHK -	APVD -	NAME
	0 PLC ± - 1 PLC ± - 2 PLC ± - 3 PLC ± .010 4 PLC ± - ANGLES ± -	PRODUCT SPEC -	APPLICATION SPEC -	PRODUCT SPEC PUSHBUTTON SWITCH SP & DP PC (TPC11-PC & TPC21-PC)
MATERIAL SEE SPECIFICATIONS	FINISH SEE SPECIFICATIONS	WEIGHT -	SIZE A2	CAGE CODE 00779
CUSTOMER DRAWING		SCALE 4:1	DRAWING NO. C=1437572-3	RESTRICTED TO -
			SHEET 1 OF 1	REV B

1437572-3