

SEE DETAIL1

DETAIL1
SCALE 2:1

LANE LINK 4X

I-PASS™ IS A TRADEMARK OF MOLEX

NOTES:

1. MATERIAL
BACKSHELLS - ZINC DIECAST
PULL- MOLDED PLASTIC
2. LENGTH= SEE TABLE
3. ELECTRICAL PERFORMANCE AS PER SERIAL ATTACH SCSI 1.1
4. SAS PLUG MATES TO RECEPTACLE 75586 SERIES,
AND EMI HOUSING ASSY, 74548-100
5. 4X LANE LINK COMPLIES WITH SFF-8470
6. THIS PRODUCT MEETS THE RESTRICTION OF HAZARDOUS SUBSTANCES
IN ELECTRICAL AND ELECTRONIC EQUIPMENT (RoHS) DIRECTIVE
(2002/95/EC)

ENTER DESCRIPTION EC NO: USY2007-0468 DRWN: SNAVARRO CHKD: DDOYE APPR: DDOYE	2007/06/22 2007/06/22 2007/06/25	QUALITY SYMBOLS ▽=0 ▽=0	GENERAL TOLERANCES (UNLESS SPECIFIED)		DIMENSION STYLE MM ONLY		SCALE 1:1	DESIGN UNITS METRIC	THIRD ANGLE PROJECTION		
			4 PLACES	± ---	± ---	DRAWN BY KPHILL IPS	DATE 2005/09/06	TITLE I-PASS X4 26 CKT TO LANE LINK 4X CBL ASSY PLUG TO PLUG			
			3 PLACES	± ---	± ---	CHECKED BY T. HALL	DATE 2005/09/06	MOLEX INCORPORATED			
2 PLACES	± 0.13	± ---	APPROVED BY DDOYE		DATE 2005/09/06	DOCUMENT NO. SD-74547-200		SHEET NO. 1 OF 4			
1 PLACE	± 0.25	± ---	MATERIAL NO. SEE TABLE		THIS DRAWING CONTAINS INFORMATION THAT IS PROPRIETARY TO MOLEX INCORPORATED AND SHOULD NOT BE USED WITHOUT WRITTEN PERMISSION						
DRAFT WHERE APPLICABLE MUST REMAIN WITHIN DIMENSIONS			ANGULAR ±1/2°								

KEYING IDENTIFIER
SAS

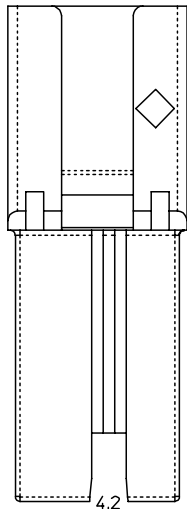
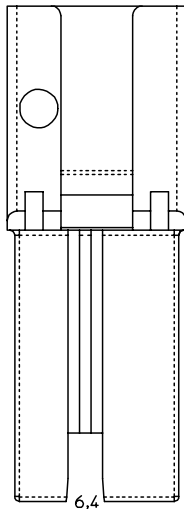
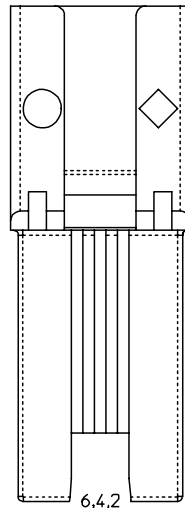


TABLE
ROUTING



SUBSTRACTIVE
ROUTING



UNIVERSAL
KEY

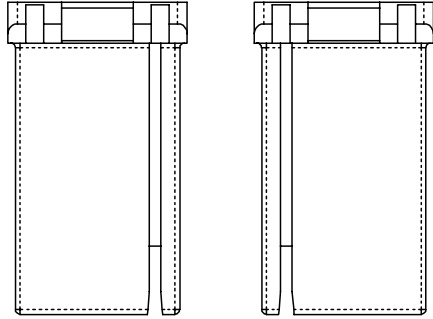
Material Number	Description	GAUGE	LENGTH	KEY	IDENTIFIER
74547-2021	x4 SAS TO 4X LANE LINK JACK SCREW CABLE ASSEMBLY	28	1M	2.4	TABLE ROUTING (OUT PORT), SAS
74547-2022	x4 SAS TO 4X LANE LINK JACK SCREW CABLE ASSEMBLY	28	2M	2.4	TABLE ROUTING (OUT PORT), SAS
74547-2023	x4 SAS TO 4X LANE LINK JACK SCREW CABLE ASSEMBLY	28	3M	2.4	TABLE ROUTING (OUT PORT), SAS
74547-2024	x4 SAS TO 4X LANE LINK JACK SCREW CABLE ASSEMBLY	28	4M	2.4	TABLE ROUTING (OUT PORT), SAS
74547-2025	x4 SAS TO 4X LANE LINK JACK SCREW CABLE ASSEMBLY	26	5M	2.4	TABLE ROUTING (OUT PORT), SAS
74547-2026	x4 SAS TO 4X LANE LINK JACK SCREW CABLE ASSEMBLY	24	6M	2.4	TABLE ROUTING (OUT PORT), SAS
74547-2027	x4 SAS TO 4X LANE LINK JACK SCREW CABLE ASSEMBLY	24	7M Δ	2.4	TABLE ROUTING (OUT PORT), SAS
74547-2028	x4 SAS TO 4X LANE LINK JACK SCREW CABLE ASSEMBLY	24	8M Δ	2.4	TABLE ROUTING (OUT PORT), SAS
74547-2029	x4 SAS TO 4X LANE LINK JACK SCREW CABLE ASSEMBLY	28	0.25M	2.4	TABLE ROUTING (OUT PORT), SAS
74547-2030	x4 SAS TO 4X LANE LINK JACK SCREW CABLE ASSEMBLY	28	0.5M	2.4	TABLE ROUTING (OUT PORT), SAS
74547-2041	x4 SAS TO 4X LANE LINK JACK SCREW CABLE ASSEMBLY	28	1M	4.6	SUBSTRACTIVE ROUTING (IN PORT), SAS
74547-2042	x4 SAS TO 4X LANE LINK JACK SCREW CABLE ASSEMBLY	28	2M	4.6	SUBSTRACTIVE ROUTING (IN PORT), SAS
74547-2043	x4 SAS TO 4X LANE LINK JACK SCREW CABLE ASSEMBLY	28	3M	4.6	SUBSTRACTIVE ROUTING (IN PORT), SAS
74547-2044	x4 SAS TO 4X LANE LINK JACK SCREW CABLE ASSEMBLY	28	4M	4.6	SUBSTRACTIVE ROUTING (IN PORT), SAS
74547-2045	x4 SAS TO 4X LANE LINK JACK SCREW CABLE ASSEMBLY	26	5M	4.6	SUBSTRACTIVE ROUTING (IN PORT), SAS
74547-2046	x4 SAS TO 4X LANE LINK JACK SCREW CABLE ASSEMBLY	24	6M	4.6	SUBSTRACTIVE ROUTING (IN PORT), SAS
74547-2047	x4 SAS TO 4X LANE LINK JACK SCREW CABLE ASSEMBLY	24	7M Δ	4.6	SUBSTRACTIVE ROUTING (IN PORT), SAS
74547-2048	x4 SAS TO 4X LANE LINK JACK SCREW CABLE ASSEMBLY	24	8M Δ	4.6	SUBSTRACTIVE ROUTING (IN PORT), SAS
74547-2049	x4 SAS TO 4X LANE LINK JACK SCREW CABLE ASSEMBLY	28	0.25M	4.6	SUBSTRACTIVE ROUTING (IN PORT), SAS
74547-2050	x4 SAS TO 4X LANE LINK JACK SCREW CABLE ASSEMBLY	28	0.5M	4.6	SUBSTRACTIVE ROUTING (IN PORT), SAS
74547-2051	x4 SAS TO 4X LANE LINK JACK SCREW CABLE ASSEMBLY	28	1M	2.4, 4.6	UNIVERSAL KEY, SAS
74547-2052	x4 SAS TO 4X LANE LINK JACK SCREW CABLE ASSEMBLY	28	2M	2.4, 4.6	UNIVERSAL KEY, SAS
74547-2053	x4 SAS TO 4X LANE LINK JACK SCREW CABLE ASSEMBLY	28	3M	2.4, 4.6	UNIVERSAL KEY, SAS
74547-2054	x4 SAS TO 4X LANE LINK JACK SCREW CABLE ASSEMBLY	28	4M	2.4, 4.6	UNIVERSAL KEY, SAS
74547-2055	x4 SAS TO 4X LANE LINK JACK SCREW CABLE ASSEMBLY	26	5M	2.4, 4.6	UNIVERSAL KEY, SAS
74547-2056	x4 SAS TO 4X LANE LINK JACK SCREW CABLE ASSEMBLY	24	6M	2.4, 4.6	UNIVERSAL KEY, SAS
74547-2057	x4 SAS TO 4X LANE LINK JACK SCREW CABLE ASSEMBLY	24	7M Δ	2.4, 4.6	UNIVERSAL KEY, SAS
74547-2058	x4 SAS TO 4X LANE LINK JACK SCREW CABLE ASSEMBLY	24	8M Δ	2.4, 4.6	UNIVERSAL KEY, SAS
74547-2059	x4 SAS TO 4X LANE LINK JACK SCREW CABLE ASSEMBLY	28	0.25M	2.4, 4.6	UNIVERSAL KEY, SAS
74547-2060	x4 SAS TO 4X LANE LINK JACK SCREW CABLE ASSEMBLY	28	0.5M	2.4, 4.6	UNIVERSAL KEY, SAS

Δ - NOT COMPLIANT WITH INSERTION
LOSS SPEC PER SAS 1.1.

IPASS™ IS A TRADEMARK OF MOLEX

ENTER DESCRIPTION EC NO: USY2007-0468 DRWN: SNAVARRO CHKD: DDOYE APPR: DDOYE	DESCRIPTION 2007/06/22 2007/06/22 2007/06/25	QUALITY SYMBOLS $\nabla=0$ $\nabla=0$	GENERAL TOLERANCES (UNLESS SPECIFIED)		DIMENSION STYLE MM ONLY		SCALE 1:1	DESIGN UNITS METRIC	THIRD ANGLE PROJECTION	
			mm	INCH	DRAWN BY KPHILL IPS	DATE 2005/09/06	TITLE I-PASS X4 26 CKT TO LANE LINK 4X CBL ASSY PLUG TO PLUG			
			4 PLACES \pm ---	\pm ---	CHECKED BY T. HALL	DATE 2005/09/06	MOLEX INCORPORATED			
			3 PLACES \pm ---	\pm ---	APPROVED BY DDOYE	DATE 2005/09/06	MATERIAL NO. SEE TABLE			
2 PLACES \pm 0.13		\pm ---	ANGULAR \pm 1/2°		DOCUMENT NO. SD-74547-200		SHEET NO. 2 OF 4			
1 PLACE \pm 0.25		\pm ---	DRAFT WHERE APPLICABLE MUST REMAIN WITHIN DIMENSIONS		THIS DRAWING CONTAINS INFORMATION THAT IS PROPRIETARY TO MOLEX INCORPORATED AND SHOULD NOT BE USED WITHOUT WRITTEN PERMISSION					

10 9 8 7 6 5 4 3 2 1

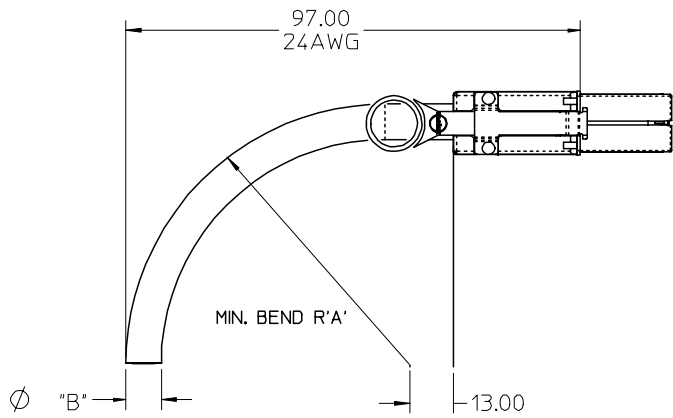


*X' CABLE

*M' CABLE

Material Number	Description	GAUGE	LENGTH	KEY	IDENTIFIER
74547-2001	x4 SATA TO 4X LANE LINK JACK SCREW CABLE ASSEMBLY	28	1M	1.4	X CABLE, SATA
74547-2002	x4 SATA TO 4X LANE LINK JACK SCREW CABLE ASSEMBLY	28	2M	1.4	X CABLE, SATA
74547-2003	x4 SATA TO 4X LANE LINK JACK SCREW CABLE ASSEMBLY	28	3M	1.4	X CABLE, SATA
74547-2004	x4 SATA TO 4X LANE LINK JACK SCREW CABLE ASSEMBLY	28	4M	1.4	X CABLE, SATA
74547-2005	x4 SATA TO 4X LANE LINK JACK SCREW CABLE ASSEMBLY	26	5M	1.4	X CABLE, SATA
74547-2006	x4 SATA TO 4X LANE LINK JACK SCREW CABLE ASSEMBLY	24	6M	1.4	X CABLE, SATA
74547-2007	x4 SATA TO 4X LANE LINK JACK SCREW CABLE ASSEMBLY	24	7M Δ	1.4	X CABLE, SATA
74547-2008	x4 SATA TO 4X LANE LINK JACK SCREW CABLE ASSEMBLY	24	8M Δ	1.4	X CABLE, SATA
74547-2009	x4 SATA TO 4X LANE LINK JACK SCREW CABLE ASSEMBLY	28	0.25M	1.4	X CABLE, SATA
74547-2010	x4 SATA TO 4X LANE LINK JACK SCREW CABLE ASSEMBLY	28	0.5M	1.4	X CABLE, SATA
74547-2061	x4 SATA TO 4X LANE LINK JACK SCREW CABLE ASSEMBLY	28	1M	7	M CABLE, SATA
74547-2062	x4 SATA TO 4X LANE LINK JACK SCREW CABLE ASSEMBLY	28	2M	7	M CABLE, SATA
74547-2063	x4 SATA TO 4X LANE LINK JACK SCREW CABLE ASSEMBLY	28	3M	7	M CABLE, SATA
74547-2064	x4 SATA TO 4X LANE LINK JACK SCREW CABLE ASSEMBLY	28	4M	7	M CABLE, SATA
74547-2065	x4 SATA TO 4X LANE LINK JACK SCREW CABLE ASSEMBLY	26	5M	7	M CABLE, SATA
74547-2066	x4 SATA TO 4X LANE LINK JACK SCREW CABLE ASSEMBLY	24	6M	7	M CABLE, SATA
74547-2067	x4 SATA TO 4X LANE LINK JACK SCREW CABLE ASSEMBLY	24	7M	7	M CABLE, SATA
74547-2068	x4 SATA TO 4X LANE LINK JACK SCREW CABLE ASSEMBLY	24	8M	7	M CABLE, SATA
74547-2069	x4 SATA TO 4X LANE LINK JACK SCREW CABLE ASSEMBLY	28	0.25M	7	M CABLE, SATA
74547-2070	x4 SATA TO 4X LANE LINK JACK SCREW CABLE ASSEMBLY	28	0.5M	7	M CABLE, SATA

Δ - NOT COMPLIANT WITH INSERTION LOSS SPEC PER SAS 1.1.



CABLE	A	B
24AWG	46.9	10.40
26AWG	41.7	9.30
28AWG	37.7	8.40

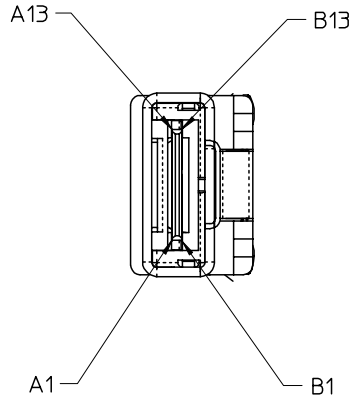
IPASS™ IS A TRADEMARK OF MOLEX

ENTER DESCRIPTION EC NO: USY2007-0468 DRWN: SNAVARRO 2007/06/22 CHKD: DDOYE 2007/06/22 APPR: DDOYE 2007/06/25	QUALITY SYMBOLS $\nabla=0$ $\nabla=0$	GENERAL TOLERANCES (UNLESS SPECIFIED)		DIMENSION STYLE MM ONLY		SCALE 1:1	DESIGN UNITS METRIC	THIRD ANGLE PROJECTION		
				DRAWN BY DATE KPHILL IPS 2005/09/06		TITLE I-PASS X4 26 CKT TO LANE LINK 4X CBL ASSY PLUG TO PLUG				
				CHECKED BY DATE T. HALL 2005/09/06		APPROVED BY DATE DDOYE 2005/09/06				
				ANGULAR $\pm 1/2^\circ$		MATERIAL NO. SEE TABLE		DOCUMENT NO. SD-74547-200		SHEET NO. 3 OF 4
DRAFT WHERE APPLICABLE MUST REMAIN WITHIN DIMENSIONS				MOLEX INCORPORATED THIS DRAWING CONTAINS INFORMATION THAT IS PROPRIETARY TO MOLEX INCORPORATED AND SHOULD NOT BE USED WITHOUT WRITTEN PERMISSION						

9 8 7 6 5 4 3 2 1

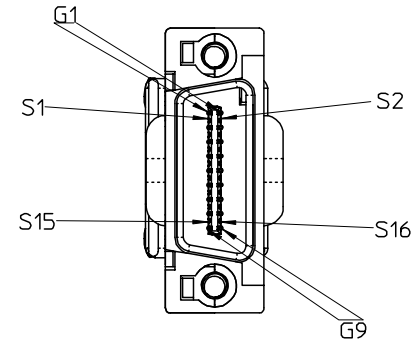
10 9 8 7 6 5 4 3 2 1

SAS 26 CKT



	Rx0+	A2	→	S16	Tx0+	
	Rx0-	A3	←	S15	Tx0-	
	GND	A4	←	G8	GND	
	Rx1+	A5	→	S14	Tx1+	
	Rx1-	A6	←	S13	Tx1-	
	GND	A7	←	G7	GND	
	Rx2+	A8	→	S12	Tx2+	L
	Rx2-	A9	←	S11	Tx2-	A
S	GND	A10	←	G6	GND	N
A	Rx3+	A11	→	S10	Tx3+	E
S	Rx3-	A12	←	S9	Tx3-	L
	GND	A13	←	G5	GND	I
2	GND	B13	→	G4	GND	N
6	Tx3-	B12	→	S8	Rx3-	K
C	Tx3+	B11	→	S7	Rx3+	4
K	GND	B10	→	G3	GND	X
T	Tx2-	B9	→	S6	Rx2-	
	Tx2+	B8	→	S5	Rx2+	
	GND	B7	→	G2	GND	
	Tx1-	B6	→	S4	Rx1-	
	Tx1+	B5	→	S3	Rx1+	
	GND	B4	→	G1	GND	
	Tx0-	B3	→	S2	Rx0-	
	Tx0+	B2	→	S1	Rx0+	

LANE LINK 4X



NOTE: GROUNDS ARE BUSSED IN PCB

I-PASS™ IS A TRADEMARK OF MOLEX

ENTER DESCRIPTION EC NO: USY2007-0468 DRWN: SNAVARRO CHKD: DDOYE APPR: DDOYE	2007/06/22 2007/06/22 2007/06/25	QUALITY SYMBOLS ▽=0 ▽=0	GENERAL TOLERANCES (UNLESS SPECIFIED)		DIMENSION STYLE MM ONLY	SCALE 1:1	DESIGN UNITS METRIC	THIRD ANGLE PROJECTION		
			4 PLACES ± --- ± ---	3 PLACES ± --- ± ---	DRAWN BY KPHILL IPS	DATE 2005/09/06	TITLE I-PASS X4 26 CKT TO LANE LINK 4X CBL ASSY PLUG TO PLUG			
			2 PLACES ± 0.13 ± ---	1 PLACE ± 0.25 ± ---	CHECKED BY T. HALL	DATE 2005/09/06	APPROVED BY DDOYE			
			ANGULAR ±1/2°		MATERIAL NO. SEE TABLE		DOCUMENT NO. SD-74547-200			
DRAFT WHERE APPLICABLE MUST REMAIN WITHIN DIMENSIONS			SIZE B		THIS DRAWING CONTAINS INFORMATION THAT IS PROPRIETARY TO MOLEX INCORPORATED AND SHOULD NOT BE USED WITHOUT WRITTEN PERMISSION					

9 8 7 6 5 4 3 2 1