

# 70067-0777 TUBE PACKAGING MATRIX

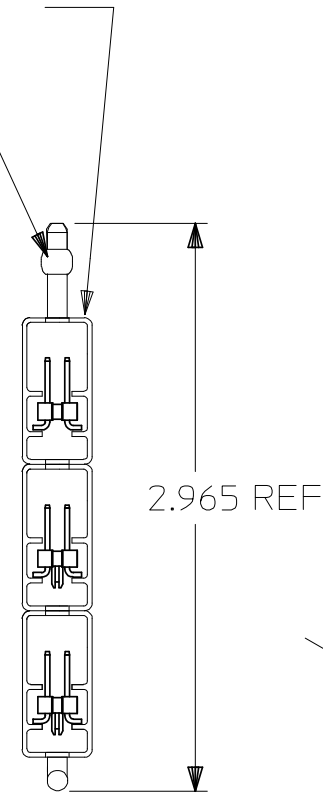
TUBE LENGTH 22.05" - TUBE PAYLOAD LENGTH 21.45"

71308-\*\*\*\*, 30340-\*\*\*\*

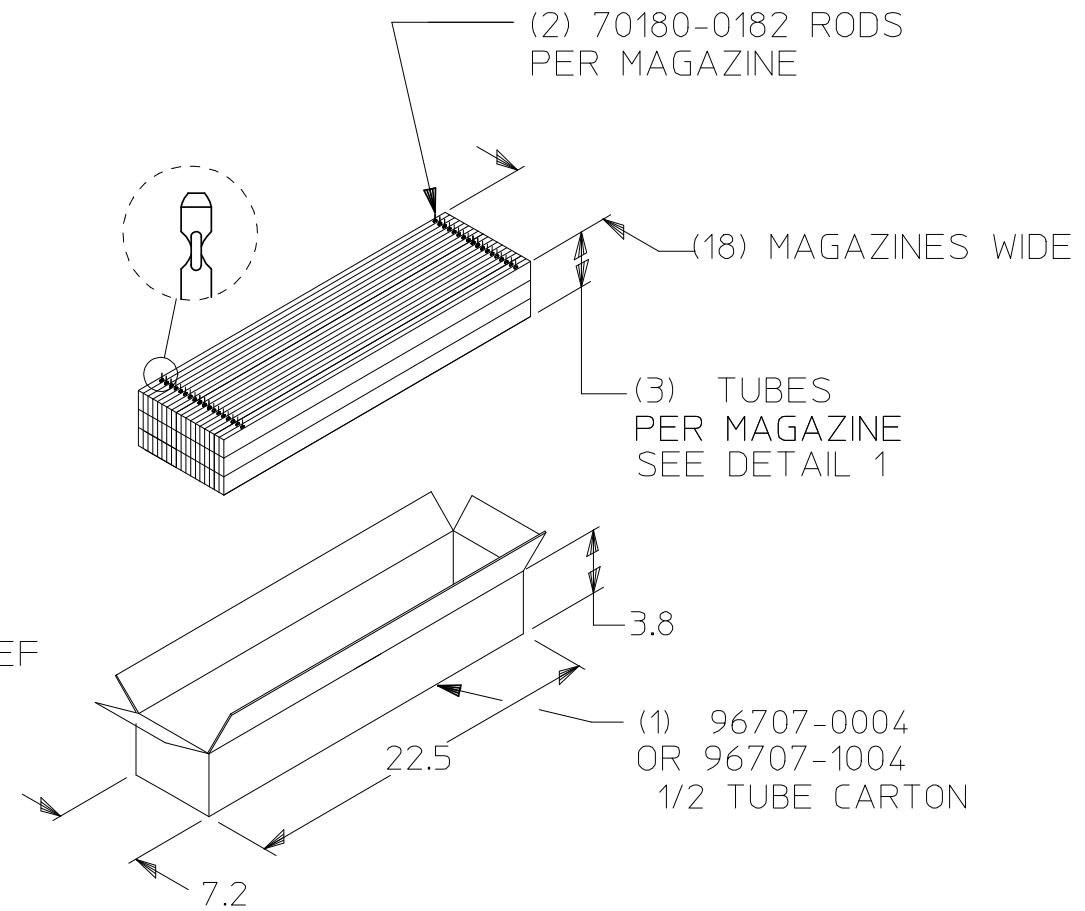
CKT. SIZE	PARTS PER TUBE	PARTS PER MAGAZINE	PARTS PER CARTON (SPQ)	CKT. SIZE	PARTS PER TUBE	PARTS PER MAGAZINE	PARTS PER CARTON (SPQ)
				52	8	24	432
4	103	309	5562	54	7	21	378
6	69	207	3726	56	7	21	378
8	52	156	2808	58	7	21	378
10	42	126	2268	60	7	21	378
12	35	105	1890	62	6	18	324
14	30	90	1620	64	6	18	324
16	26	78	1404	66	6	18	324
18	23	69	1242	68	6	18	324
20	21	63	1134	70	6	18	324
22	19	57	1026	72	5	15	270
24	17	51	918	74	5	15	270
26	16	48	864	76	5	15	270
28	15	45	810	78	5	15	270
30	14	42	756	80	5	15	270
32	13	39	702	82	5	15	270
34	12	36	648	84	5	15	270
36	11	33	594	86	4	12	216
38	11	33	594	88	4	12	216
40	10	30	540	90	4	12	216
42	10	30	540	92	4	12	216
44	9	27	486	94	4	12	216
46	9	27	486	96	4	12	216
48	8	24	432	98	4	12	216
50	8	24	432	100	4	12	216

TUBE NO.  
70067-0777

ROD NO.  
70180-0182



DETAIL - 1  
SCALE: NONE



NOTES:

- STAPLES MAY BE USED TO SET UP CARTON ONLY. CARTON CLOSURES MUST BE DONE WITH TAPE.
- ORIENT ROD END PARALLEL TO TUBE TO MAXIMIZE TUBE QUANTITIES PER BOX.
- IF NECESSARY, ADD FOAM SHEET(S) TO FILL CARTON.

UPDATE TUBE QNTY EC NO: UCP2008-0516 DRWN:ADERR 2007/09/10 CH'KD:L.SCHMIDT 2007/09/10 APPR:FSMITH 2007/09/11	QUALITY SYMBOLS ▽=0 ▽=0	GENERAL TOLERANCES (UNLESS SPECIFIED)		DIMENSION STYLE IN/MM		SCALE ---	DESIGN UNITS INCH	THIRD ANGLE PROJECTION	
			mm	INCH	DRAWN BY JAS	DATE 1987/09/29	TITLE CUSTOMER PKG. SPEC'S DUAL ROW SMT HEADERS		
		4 PLACES	± ---	± ---	CHECKED BY TFO	DATE 1987/09/29			
		3 PLACES	± ---	± ---	APPROVED BY TFO	DATE 1987/09/29	MOLEX INCORPORATED		
2 PLACES	± ---	± ---	MATERIAL NO. NA		DOCUMENT NO. PK-70873-0041	SHEET NO. 1 OF 1			
1 PLACE	± ---	± ---	DRAFT WHERE APPLICABLE MUST REMAIN WITHIN DIMENSIONS		THIS DRAWING CONTAINS INFORMATION THAT IS PROPRIETARY TO MOLEX INCORPORATED AND SHOULD NOT BE USED WITHOUT WRITTEN PERMISSION				