

MICRO SWITCH

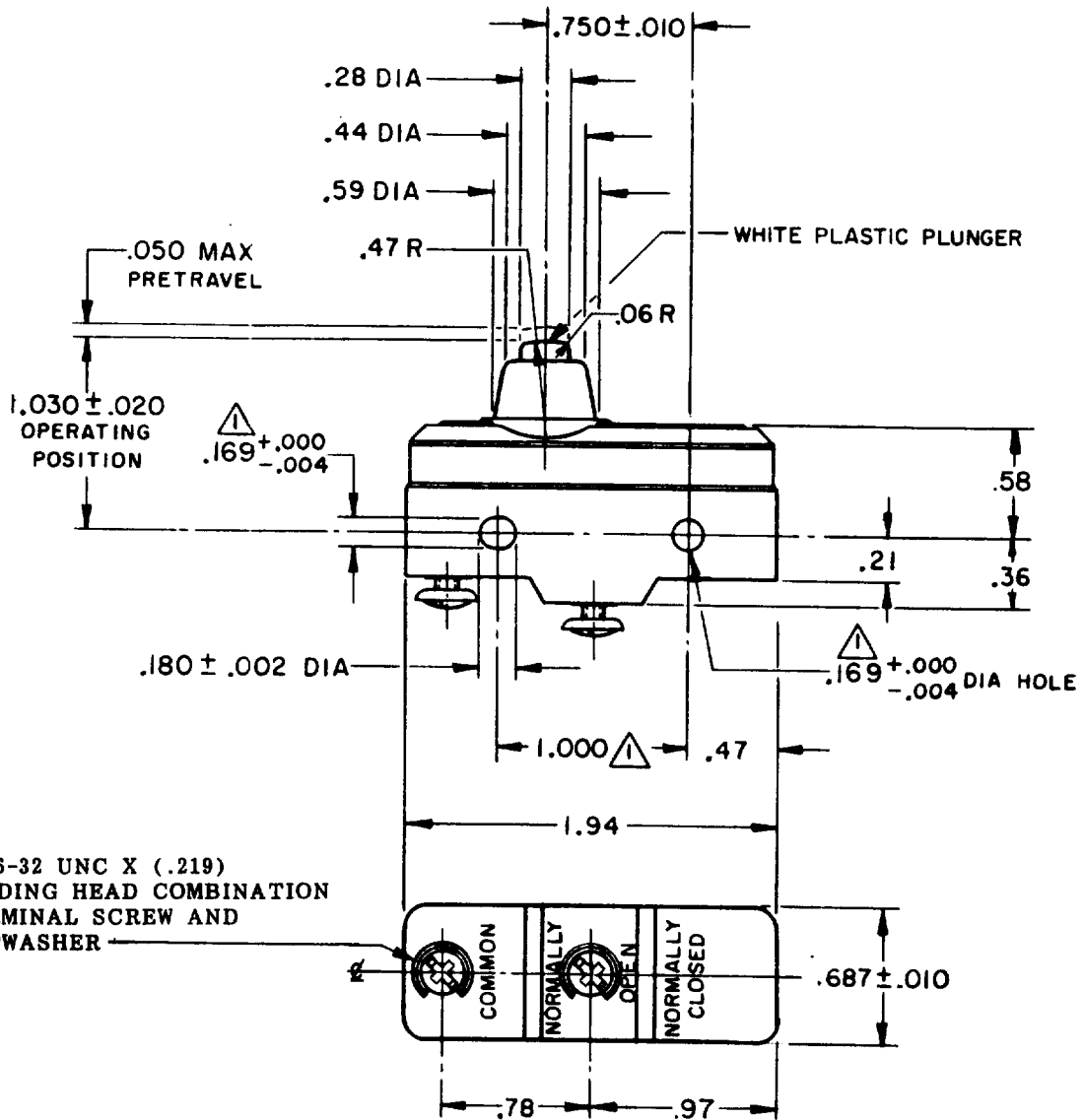
FREERPORT ILLINOIS, U.S.A
A DIVISION OF HONEYWELL

FED. MFG. CODE 91929

CATALOG LISTING

YA-2CB16-A2


SWITCH-BASIC



NOTE -

▲ MOUNTING HOLES WILL ACCEPT PINS OR SCREWS OF .165 MAX DIA ON 1.000 ± .002 CENTERS

THIS DRAWING COVERS A PROPRIETARY ITEM AND IS THE PROPERTY OF MICRO SWITCH, A DIVISION OF HONEYWELL. THIS DRAWING IS NOT TO BE COPIED OR USED WITHOUT THE APPROVAL OF MICRO SWITCH.

CHARACTERISTICS	ELECTRICAL DATA	SCALE FULL
OPERATING FORCE ----- 14-22 OZ	CONTACT ARRANGEMENT S P N O	DO NOT SCALE PRINT
RELEASE FORCE ----- 10 OZ MIN	<p>UNDERWRITERS' LAB. INC. LISTED RATING 15A-125, 250 OR 490 VAC; 10A-125 VAC "L" -L15- 3/4HP-125 VAC; 1 1/2HP-250 VAC 1/2A-125 VDC; 1/4A-250 VDC</p> 	UNLESS OTHERWISE NOTED DIMENSIONS ARE IN INCHES TOLERANCES ARE
DIFFERENTIAL TRAVEL ---- .0020-.0075		ONE PLACE (.0) ± .030
OVERTRAVEL ----- .094 MIN		TWO PLACE (.00) ± .015 THREE PLACE (.000) ± .005 ANGLES ±
		WEIGHT

YA-2CB16-A2
M
 DRAWING NUMBER
X 8
 ISSUE
3
 RELEASE NO. PR-3452-T REPLACES
 CHECK
 REVISIONS

A	C032630	26 NOV 73
B	CO-73287-J	22 NOV 93

 CHECK
 25 JUNE 73
 DRAWN
 21 JUNE 73
 FO-52848