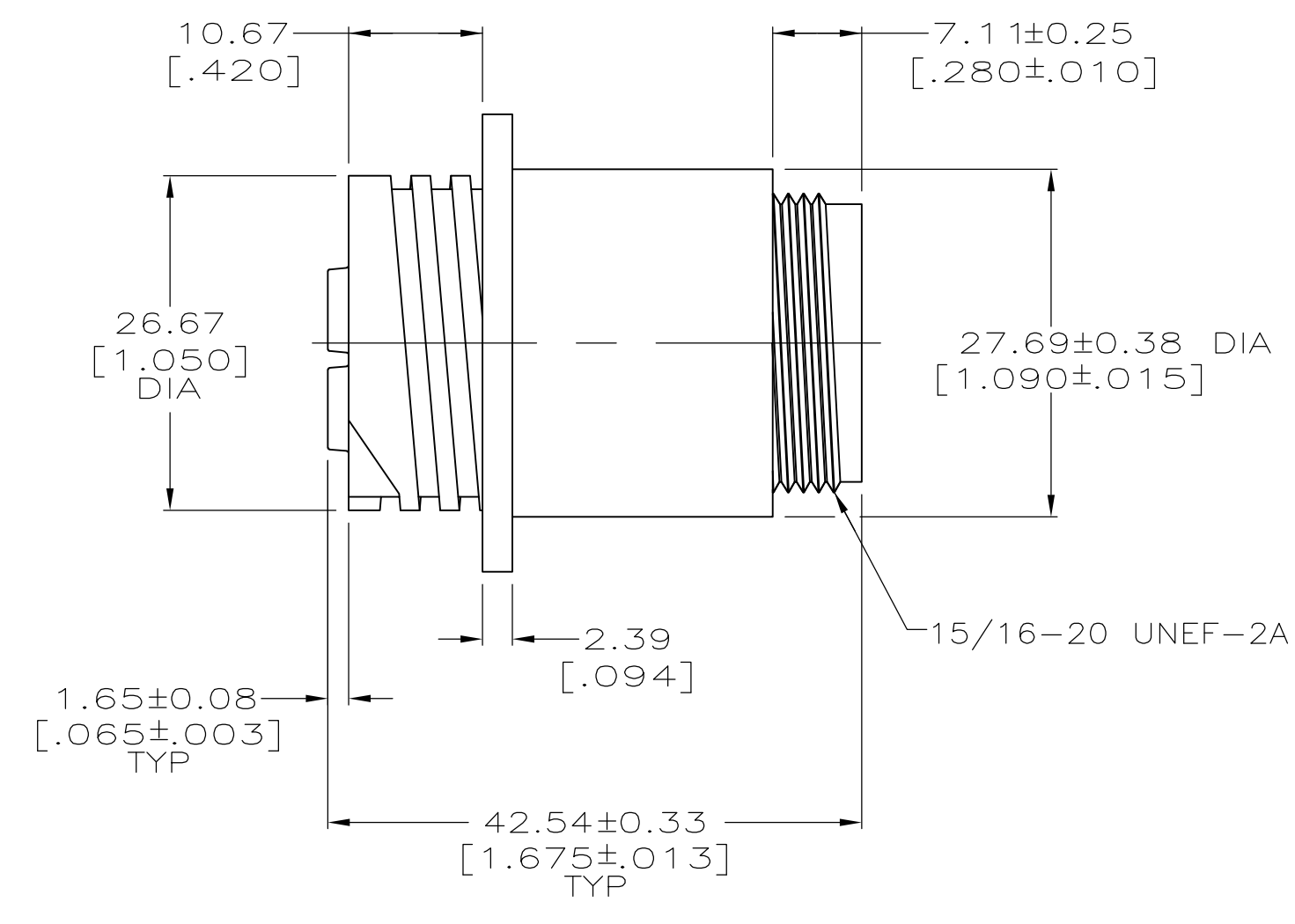
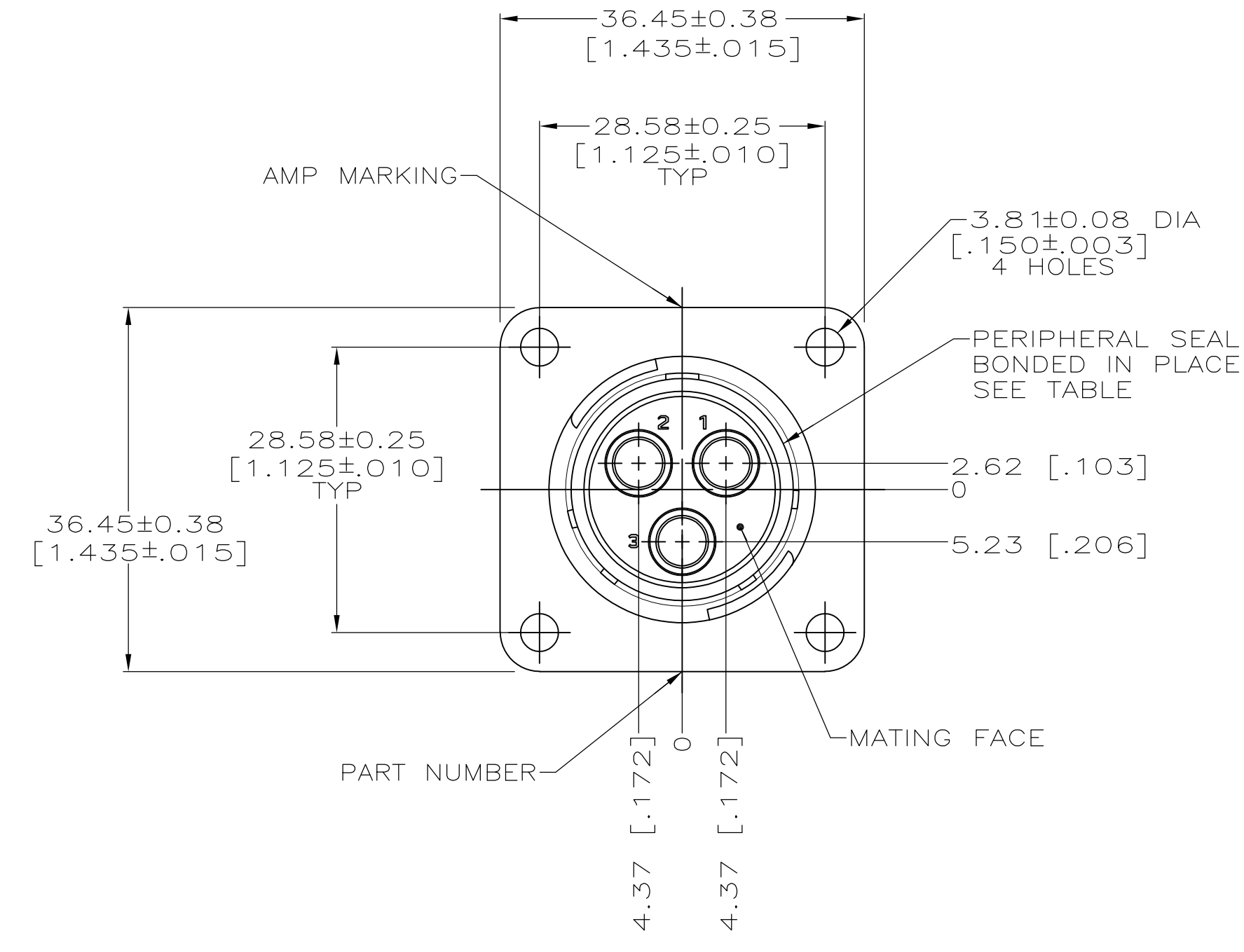


THIS DRAWING IS UNPUBLISHED. RELEASED FOR PUBLICATION  
 © COPYRIGHT - By - ALL RIGHTS RESERVED.

LOC	DIST	REVISIONS			
P	LTR	DESCRIPTION	DATE	OWN	APVD
BD	35	A1	REVISED PER ECO-11-004917	11MAR11	RK HMR



YES	213889-2
NO	213889-1
PERIPHERAL SEAL	PART NUMBER

THIS DRAWING IS A CONTROLLED DOCUMENT.		DWN D.HARDY 06/23/95	TE Connectivity	
DIMENSIONS: MM[INCHES]		CHK R.STONE 06/29/95		
TOLERANCES UNLESS OTHERWISE SPECIFIED:		APVD A.FRANTUM 06/29/95		
0 PLC ± -	1 PLC ± -	PRODUCT SPEC 108-1579	NAME RECEPTACLE HOUSING, REVERSE SEX, SERIES 5, 17-3, CIRCULAR PLASTIC CONNECTOR	
2 PLC ± 0.13 [.005]	3 PLC ± -	APPLICATION SPEC	SIZE CAGE CODE DRAWING NO RESTRICTED TO	
4 PLC ± -	ANGLES ± ± -	FINISH	A2 00779 G-213889	
MATERIAL NYLON, BLACK	FINISH -	WEIGHT -	CUSTOMER DRAWING SCALE 2:1 SHEET 1 OF 1 REV A1	