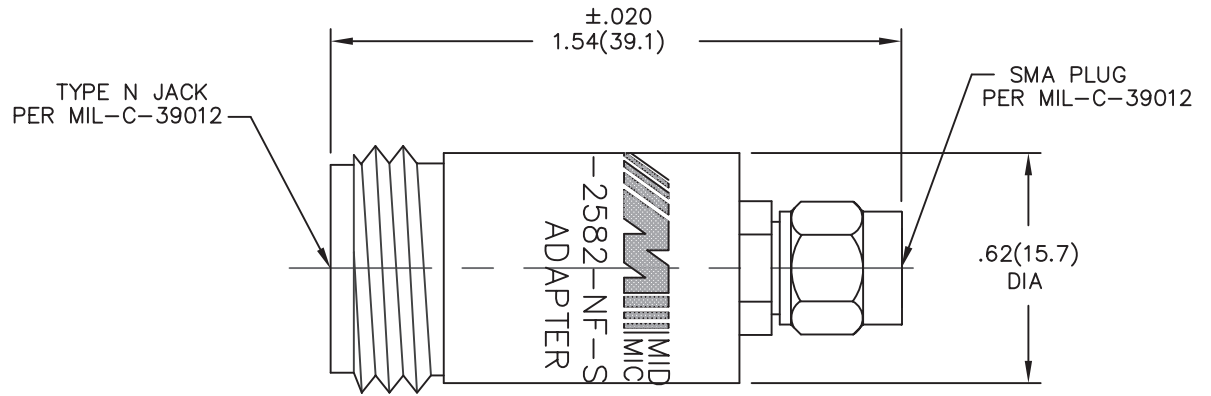


MODEL NUMBER  
ADT-2582-NF-SMM-02

NOTES:

- 1.0 MATERIALS:
  - 1.1 HOUSING & NUT: STAINLESS STEEL PER ASTM-A582, TYPE 303.
  - 1.2 CENTER CONTACT: BERYLLIUM COPPER ROD ALLOY C172, PER ASTM-B196.
  - 1.3 DIELECTRIC: PTFE FLUOROCARBON PER ASTM-D1457.
- 2.0 PLATING:
  - 2.1 HOUSING & NUT: PASSIVATED PER MIL-F-14072 AND QQ-P-35
  - 2.2 CENTER CONTACT: GOLD PER MIL-G-45204, TYPE II, CLASS 2.
- 3.0 ELECTRICAL SPECIFICATIONS:
  - 3.1 FREQUENCY RANGE: DC to 18.0 GHz
  - 3.2 VSWR (MAX):
    - DC to 4.0 GHz: 1.04:1
    - 4.0 to 8.0 GHz: 1.07:1
    - 8.0 to 18.0 GHz: 1.12:1
  - 3.3 IMPEDANCE: 50 OHMS
- 4.0 DIMENSIONS IN PARENTHESIS ARE IN MILLIMETERS.
- 5.0 MARKING: MARK UNIT AS SHOWN (REF.: INK-02669-27-07)



DWG. NO. WAS: 02394-01-00

REV.	DESCRIPTION	DATE
-	RELEASED	7/1/80
A	ECR 6545	6/29/88
B	ECR 6833	4/4/90
B1	UPDATE MOD. #	2/21/91
C	UPDATE ON CAD	11/13/92

UNLESS OTHERWISE NOTED DIMENSIONS ARE IN INCHES AND TOLERANCES ARE:		FORM NO. 34078		<b>MIDWEST MICROWAVE</b>	
3 PLACE DECIMALS ±.005 2 PLACE DECIMALS ±.02 FRACTIONS ±1/64		NOTICE: The information contained in this drawing is proprietary and must not be used without the permission of Midwest Microwave		TITLE ADAPTER - N JACK TO SMA PLUG OUTLINE DRAWING	
PARALLELITY: T.I.R. _____ FLATNESS: T.I.R. _____ CONCENTRICITY: T.I.R. _____ ANGLES AND PERPENDICULARITY: ±1'				DRAWING NUMBER ADT-2582-NF-SMM-02-01	
		DRAWN/DATE A.BEATTY 11/13/92	ENG./DATE A.OSGA 11/17/92	CHECKED/DATE M.HOLLMAN 11/17/92	APPROVED/DATE
		SCALE: 5=1	SHEET 1 of 1		