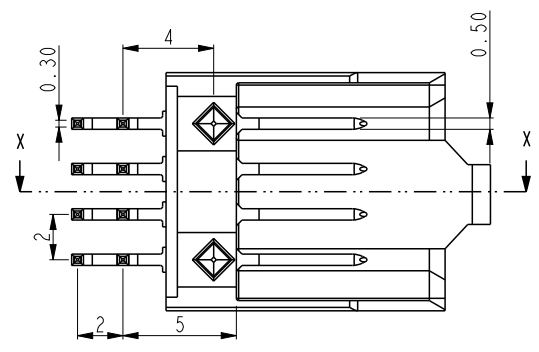
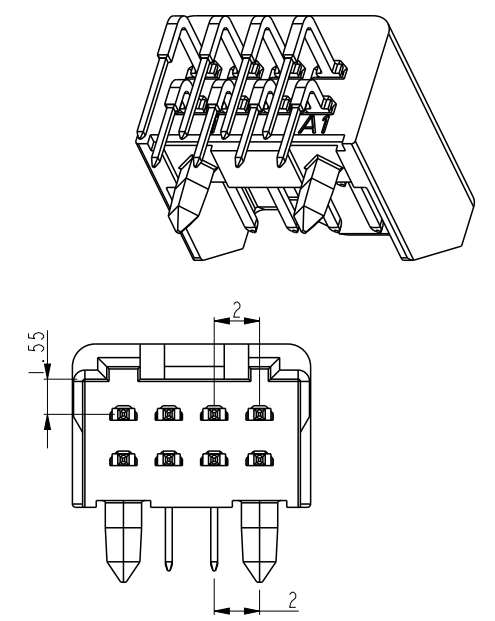
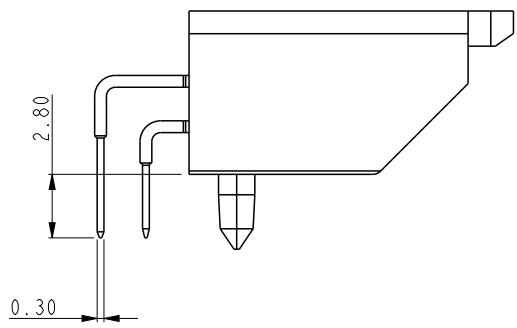
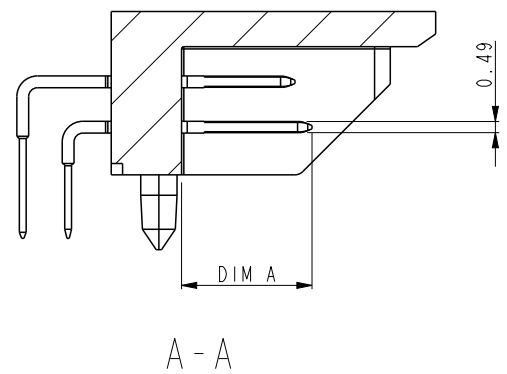




Copyright FCI.



NOTE:
 1. MATERIAL:
 A. HEADER HOUSING: LIQUID CRYSTAL POLYMER 30% GLASS FLAME RETARDANT ACC. UL 94-V0.
 B. TERMINAL: TINBRONZE
 2. MARKING ACCORDING TO DRAWING 59550.
 3. FOR MORE DETAILS REFER THE DRAWING 72860_C (2 X 4 SIGNAL SOFIX BOARD CONNECTOR)
 4. ROHS INFORMATION:

- THIS PRODUCT MEETS EUROPEAN UNION DIRECTIVES AND OTHER COUNTRY REGULATIONS AS DESCRIBED IN GS-22-008
 - THE HOUSING WILL WITHSTAND EXPOSURE TO 260°C PEAK TEMPERATURE FOR 10 SECONDS IN A WAVE SOLDER APPLICATION WITH A 1.60±0.10MM CIRCUIT BOARD. SEE APPLICATION NOTES/PROCEDURES IF THEY ARE AVAILABLE

5. PACKAGE TYPE:
 72830-XXXLF: TUBE PACKING
 72830-XXXRLF: TAPE AND REEL PACKING

RELEASE	
TOLERANCES UNLESS OTHERWISE SPECIFIED	
0.X	±0.30
0.XX	±0.15
0.XXX	±0.05
0°	±2°

Performance level	
72830-XXXLF	Telcordia CO.

dr	Andy Zhang	2010/11/02	projection 	MM ←→	size	A4	scale	1.000
eng	John Han	2013/09/12			ecn no	ELX-N-15807-1		
chr	-	-			rel level	Released		
appr	Rick Bian	2013/10/30	Family:	SOFIX SHIELDED I/O				
	title	2X4 RA CONNECTOR		dwg no	72830		rev	G
www.fci.com	cat. no.	72830-20x		Product - Customer Drw		sheet 1 of 2		

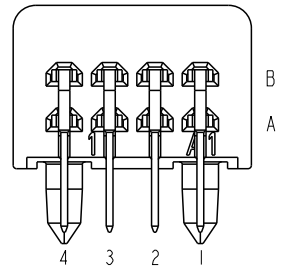
A

B

Product number	Made from						
Item	I	Row		Column			
	Housing		Number	4	3	2	1
72830-201LF	72706-001	B	8	O	O	O	O
72830-201RLF		A		N	N	N	N
72830-202LF	72706-001	B	8	S	S	O	O
		A		N	N	N	N
72830-203LF	72706-001	B	8	S	S	S	S
72830-103LF		A		N	N	R	R

SEE NOTE 5

Item	Dim A
N	5.75
O	5.00
R	5.00
S	5.75



A

B

C

D



Copyright FCI.

spec ref	RELEASE			dr	Andy Zhang	2010/11/02	projection 	MM ←→	size	A4	scale	1.000	
tolerance std	TOLERANCES UNLESS OTHERWISE SPECIFIED			eng	John Han	2013/09/12			ecn no	ELX-N-15807-1			
				chr	-	-				rel level	Released		
surface <input checked="" type="checkbox"/>	linear	0.X	±0.30	FCI	title	2X4 RA CONNECTOR		dwg no	72830			rev	
		0.XX	±0.15										
		0.XXX	±0.05										
	angular	0°	±2°	www.fci.com	cat. no.	72830-20x	Product - Customer Drw			sheet 2 of 2			