



PRODUCT DATASHEET

Leila series

last update 23/7/2012

DETAILS

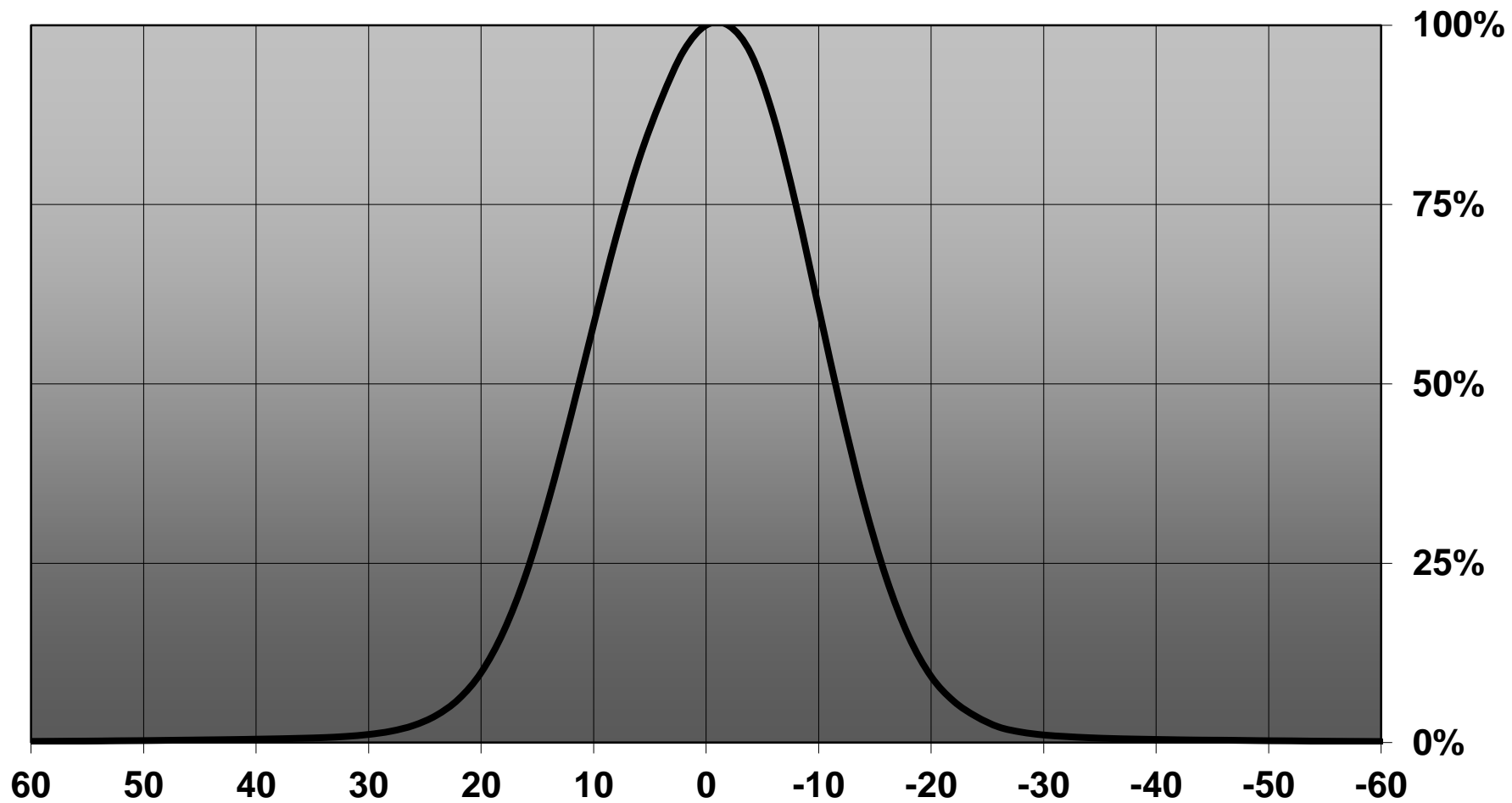
| | |
|------------------------|------------------|
| Product Number | CA12666_LXB2-M |
| Family | Leila |
| Type | Assembly |
| Color | black |
| Diameter | 21,6 mm |
| Height | 14,6 mm |
| Style | round |
| Optic Material | PMMA |
| Holder Material | |
| Fastening | tape |
| Status | production ready |
| ROHS Compliant | Yes |
| Date Updated | 23/07/2012 |



OPTICAL PROPERTIES

| LED | Viewing Angle | Light Beam | Efficiency | cd/lm | Connector |
|------|---------------|------------|------------|-------|-----------|
| XB-D | 22 deg | Medium | 81 % | 4.590 | - |
| XB-H | 23 deg | Medium | 85 % | 4.100 | - |

Relative intensity of CA12666_LXB2-M_(XB-H)



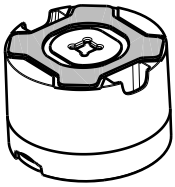
— C1 0-180

D

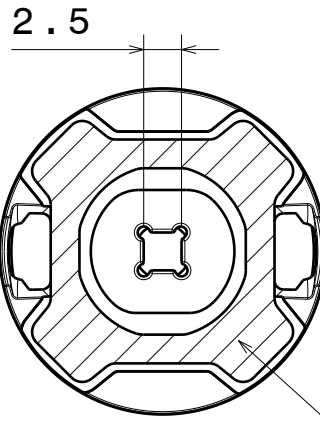
C

B

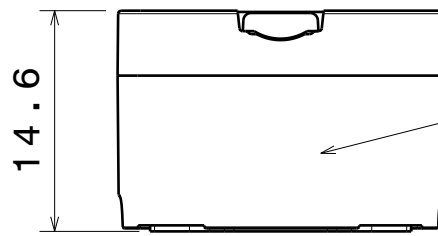
A



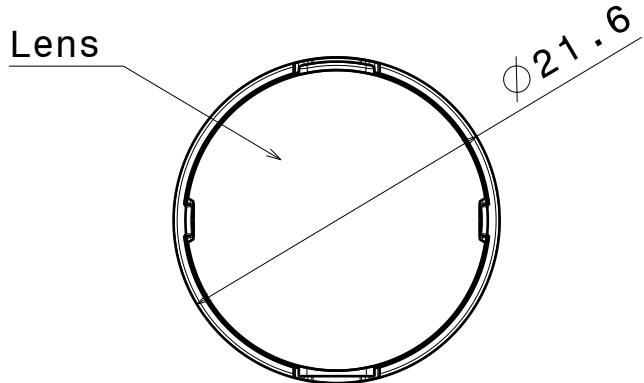
Isometric view
Scale: 1:1



Tape



Holder



Lens

Materials:
Lens PMMA
Holder PC, Black
Tape PU foam with PSA

Tolerances for dimensions:
0-20mm tolerance value $\pm 0.1\text{mm}$
21-45mm tolerance value $\pm 0.2\text{mm}$
46-90mm tolerance value $\pm 0.3\text{mm}$
91-100mm tolerance value $\pm 0.4\text{mm}$
101-mm tolerance value $\pm 0.5\text{mm}$

This drawing is our property.
It can't be reproduced
or communicated without
our written agreement.



Ledil Oy
Salorankatu 10
FIN 24240 SALO
Finland

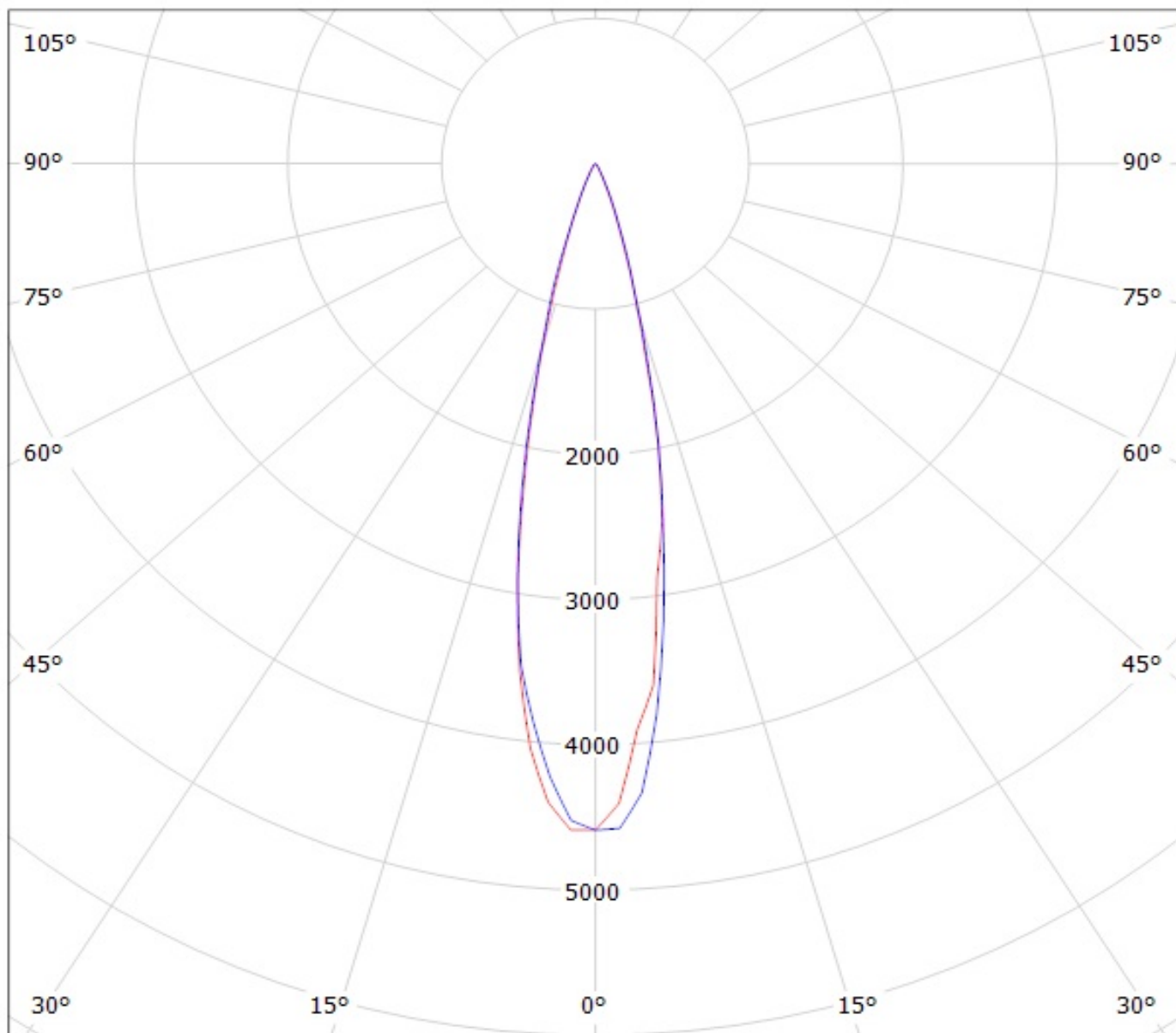
DRAWING TITLE
Datasheet LXB2 Tape Assy

| | |
|--------------------------|---------------------------|
| DRAWN BY pv | DATE 11.04.2012 |
| CHECKED BY sn | DATE 19.01.2012 |
| DESIGNED BY pv | DATE 19.01.2012 |

| | | |
|---------------------|----------------------------|---------------------|
| SIZE A4 | DRAWING NUMBER - | REV 1 |
| SCALE 2:1 | WEIGHT (g) | SHEET 1/1 |

A

Luminaire: Ledil Oy CA12666_LXB2-M (Cree XB-D 84lm @ 250mA) LOR=81%
Lamps: 1 x Cree XB-D 84lm @ 250mA



cd/klm

— C0 - C180

— C90 - C270

NOTE: The typical divergence will be changed by different color, chip size and chip position tolerance. The typical total divergence is the full angle measured where the luminous intensity is half of the peak value.