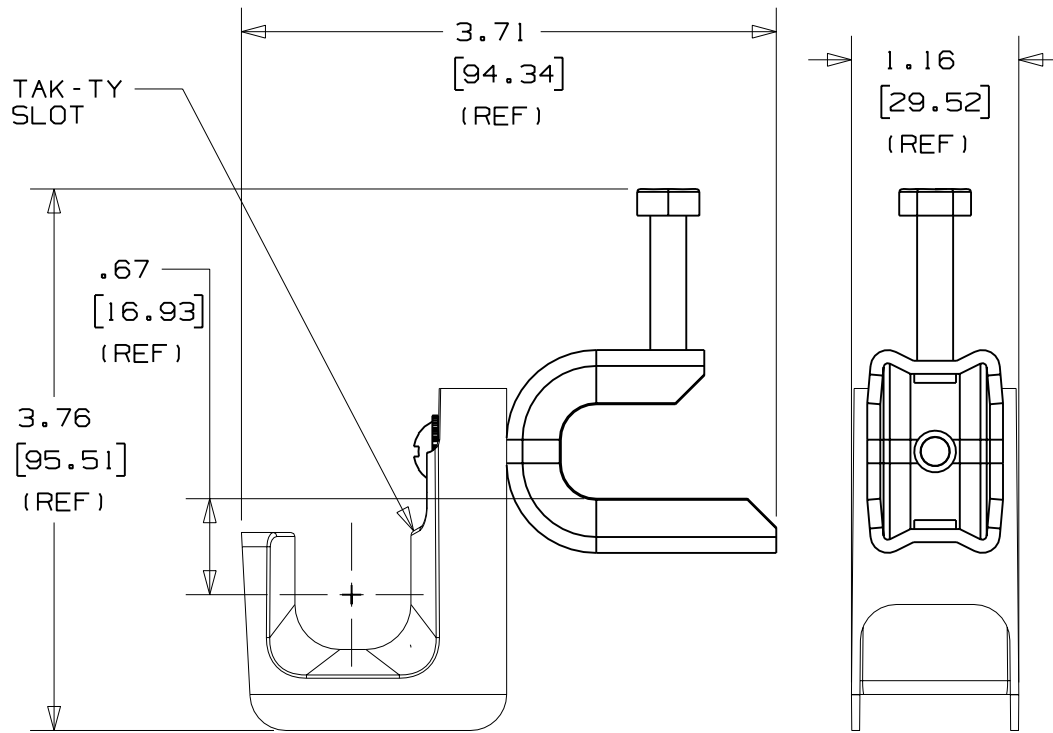
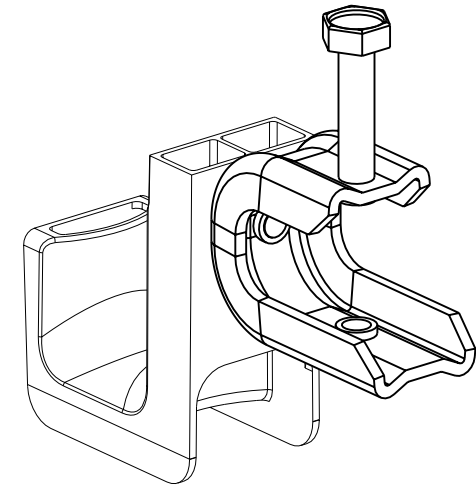


THIS COPY IS PROVIDED ON A RESTRICTED BASIS AND IS NOT TO BE USED IN ANY WAY DETRIMENTAL TO THE INTERESTS OF PANDUIT CORP.



| PANDUIT PART NO. | FLANGE THICKNESS | WEIGHT lbs 10 (g) pcs |
|------------------|----------------------|-----------------------------|
| JP75SBC50-__ | UP TO 0.50 (12.7) | 1.60 (725.75) |



NOTES:

- SEE CURRENT PRICE SHEET FOR PART NUMBER SUFFIX DESIGNATION FOR PACKAGE SIZE AND PRODUCT COLOR.
- HOOK MATERIAL: NYLON 6/6
BOLT MATERIAL: ZINC PLATED STEEL
WASHER MATERIAL: ZINC PLATED STEEL
CLAMP MATERIAL: PLATED STEEL
- PRODUCT IS DESIGNED TO SUPPORT A MAXIMUM OF 3/4" (19.05) DIAMETER BUNDLE. MAXIMUM RECOMMENDED STATIC LOAD: 15 lbs.
- PRODUCT INCORPORATES FEATURES ALLOWING USER TO RETAIN CABLE BUNDLES IN J-PRO J-HOOK WITH TAK-TY CABLE TIES UP TO 3/4" WIDE.
- PRODUCT MARKINGS:
cULus logo and statement:
"SUITABLE FOR USE IN AIR HANDLING SPACES IN ACCORDANCE WITH SECTION 300-22 (C) & (D) OF THE NATIONAL ELECTRIC CODE."
ULC logo and statement:
"IN ACCORDANCE WITH CAN/ULC S-102.2 IN SINGLE UNITS OR PAIRS, 4 ft (1220mm) MIN. SPACING, FSR=0, SDC=20."

DIMENSIONS IN BRACKETS ARE METRIC [mm]

CAD FILENAME/LAYERS G03043BF_PB_JP75SBC50_00

PANDUIT CORP. TINLEY PARK, ILLINOIS

J-PRO J-HOOK WITH
SCREW-ON BEAM CLAMP
(JP75SBC50-__)

UNLESS OTHERWISE SPECIFIED,
DIMENSIONAL TOLERANCES ARE:
(.X) ±0.05 (1.31) (.XXX) ±0.010 (0.25)
(.XX) ±0.02 (0.5) ANGLES ± 5°

UNLESS OTHERWISE SPECIFIED,
ALL DIMENSIONS ARE GIVEN
IN INCHES, THIRD ANGLE PROJECTION.

DRAWN BY JAD

MAT'L:

SCALE NONE

DATE 1/5/06

SEE NOTE 2

DRAWING NO.

GB3043BF

DWG
A
SIZE

| REV | DATE | BY | CHK | DESCRIPTION | ECN | R | CUST | SUP |
|-----|--------|-----|-----|-----------------|----------|---|------|-----|
| R | 1/5/06 | JAD | | INITIAL RELEASE | GB3043BF | R | | |