

4

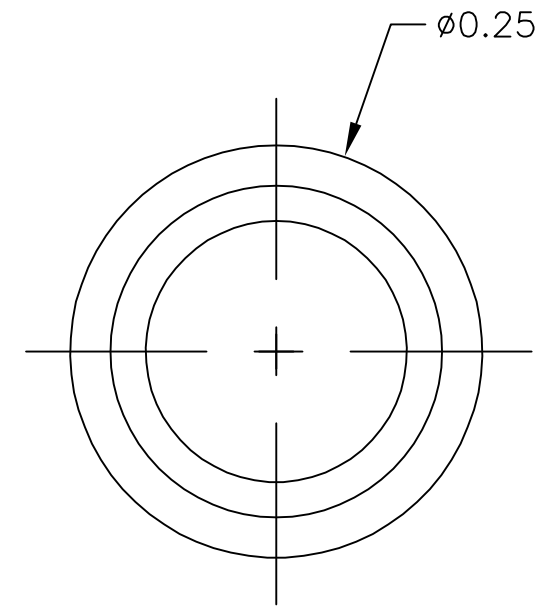
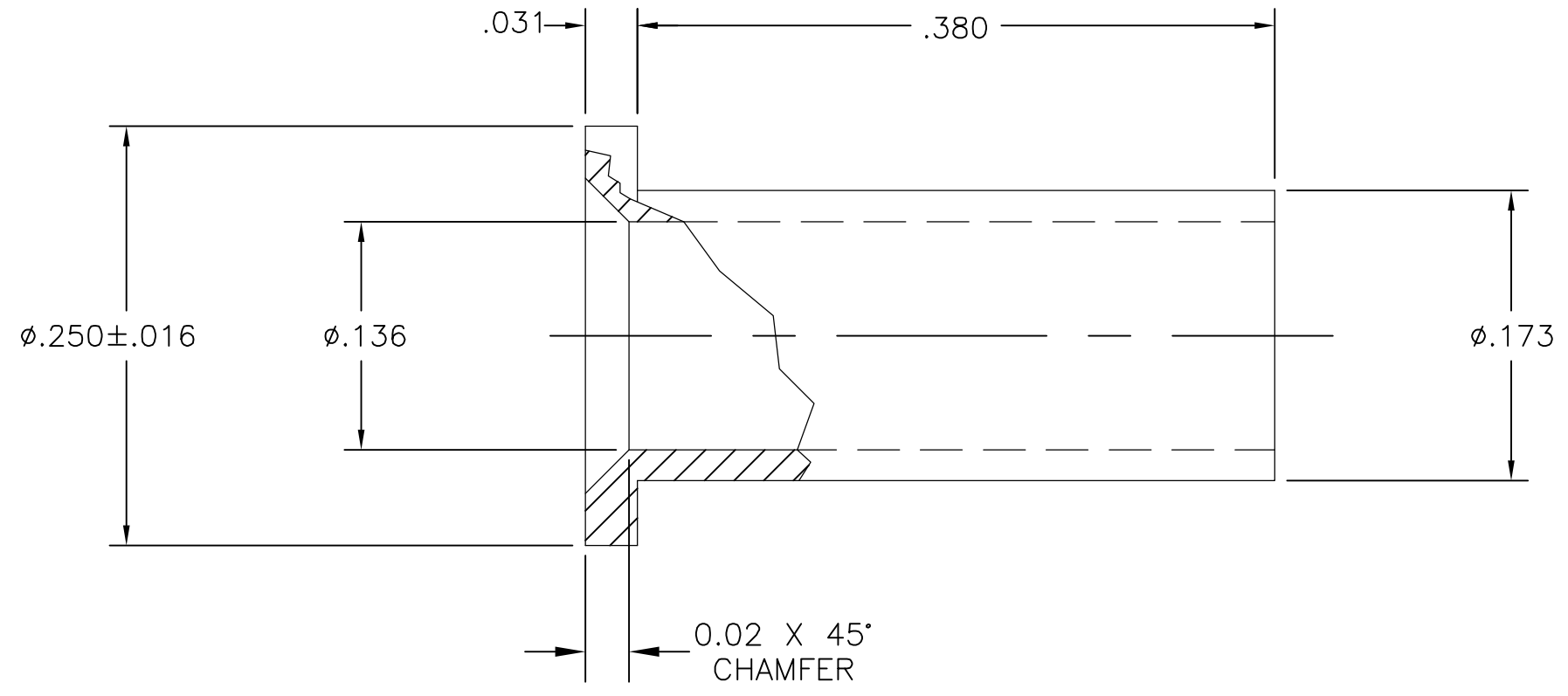
3

2

1

THIS DRAWING IS UNPUBLISHED. RELEASED FOR PUBLICATION
 © COPYRIGHT - BY TYCO ELECTRONICS CORPORATION. ALL RIGHTS RESERVED.

LOC	DIST	REVISIONS					
GP	00	P	LTR	DESCRIPTION	DATE	DWN	APVD
			B	REV PER ECO-06-026062	06NOV06	RG	DO



- PART NUMBER CHANGES AND/OR DESIGN CHANGES AFFECTING ITEM INTERCHANGEABILITY REQUIRE PRIOR TYCO APPROVAL AND AUTHORIZATION BY REVISION TO THIS DRAWING.
- ITEMS PROVIDED TO THIS SPECIFICATION SHALL BE IDENTIFIED ON THE CONTAINER WITH THE FOLLOWING INFORMATION:
PART NUMBER & DATE CODE OF MANUFACTURE

- 3 MATERIAL: COPPER ALLOY
- 4 FINISH:
SILVER PLATE .0002" MIN THK. OVER
NICKEL .000050" MIN THK.

5. MANUFACTURED IN ACCORDANCE WITH MS 3348 SPEC.

THIS DRAWING IS A CONTROLLED DOCUMENT.		DWN	06/27/05		Tyco Electronics Corporation Harrisburg, PA 17105-3608						
DIMENSIONS: INCHES		CHK	-				NAME				
TOLERANCES UNLESS OTHERWISE SPECIFIED:		APVD		-		BUSHING, CRIMP REDUCER, SIZE 8 TO 10 AWG DRAWERS / DOMINO					
0 PLC ± - 1 PLC ± - 2 PLC ± .01 3 PLC ± .005 4 PLC ± - ANGLES ± 3		PRODUCT SPEC		-		APPLICATION SPEC					
MATERIAL		WEIGHT		-		SIZE	CAGE CODE	DRAWING NO	RESTRICTED TO		
-		-		-		A3	00779	C-1766261	-		
CUSTOMER DRAWING						SCALE	10:1	SHEET	1 OF 1	REV	B