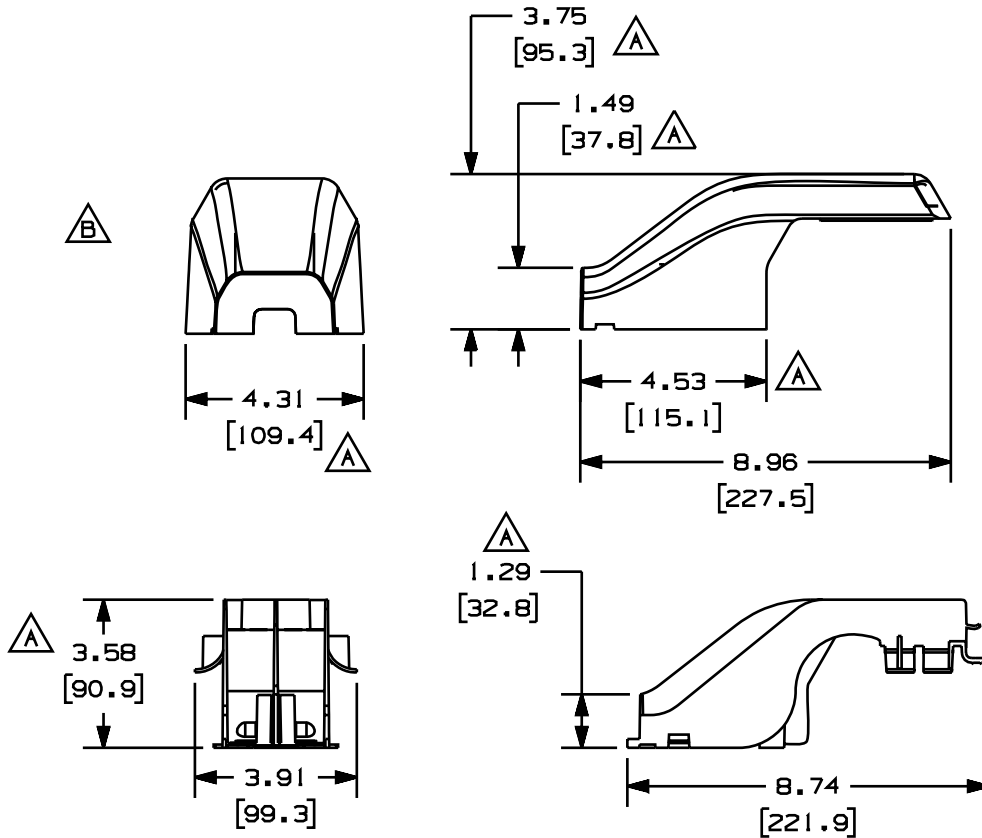


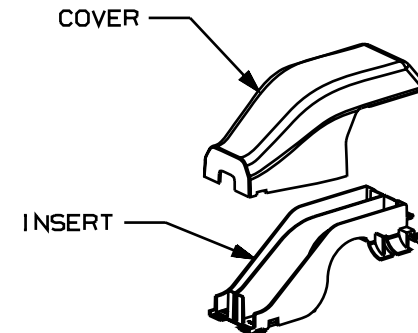
THIS COPY IS PROVIDED ON A RESTRICTED BASIS AND IS NOT TO BE USED IN ANY WAY DETRIMENTAL TO THE INTERESTS OF PANDUIT CORP.



PANDUIT PART NO.	WEIGHT
TGTR	.67 LB/ EACH [308 g/ EACH]

NOTES:

1. SEE CURRENT CATALOG FOR ADDITIONAL PART NUMBER SUFFIXES TO INDICATE COLOR AND/OR PACKAGE QUANTITY.
2. THIS PRODUCT IS INTENDED TO BE USED WITH PANDUIT TYPE TG RACEWAY.
3. DIMENSIONS IN PARENTESIS ARE METRIC.



CAD FILENAME/LAYERS D37270ED_DC_TGTR_01A.PRT

PANDUIT CORP., TINLEY PARK, ILLINOIS
 TG TRANSITION FITTING (TGTR)
 CUSTOMER DRAWING

UNLESS OTHERWISE SPECIFIED, DIMENSIONAL TOLERANCES ARE:
 (.X) : (.XXX) :
 (.XX) : .03 | .81 ANGLES :



UNLESS OTHERWISE SPECIFIED, ALL DIMENSIONS ARE GIVEN IN INCHES, THIRD ANGLE PROJECTION.

REV	DATE	BY	CHK	DESCRIPTION	ECN	R	CUST	SUP
I	5-18-01	REWE	HIW	D. REMOVED AND REVISED TOLERANCES C. REVISED WEIGHT QUANTITY				
R	4/14/00	JHN/RCRO		B. REMOVED DIMENSION A. REVISED DIMENSION RELEASED TO PRODUCTION	37270-70	HIW	HIW	

DRAWN BY JHN/	MAT'L:
DATE 4/14/00	SEE NOTES ABOVE
CHK'D RCRO	

SCALE NONE
DRAWING NO. 37270-70
DWG SIZE A