

Notes:

SPECIFICATION
MATERIAL
 Insulator: Thermoplastic, Black
 Contacts: BRASS
 Shell: Stainless Steel
CONTACT PLATING
 Underplate: 80u"~160u" Nickel
 Contact area: 30u"~Pd-Ni+2u" Selective gold,
 Solder tails area: 100u"~200u" Tin (Lead Free)
ELECTRICAL
 Operation voltage: 20 V
 Current rating: 5 Amps max.
 Insulation resistance: 100 Mohms min. @ 100 VDC
 Dielectric withstanding voltage: 100 VAC / minute
 Temperature range: -40°C TO +105°C
 Mating cycles: 10,000 insertions
 ASSB1-DFN-PTP31Tape
 ASSB1-DFN-PTR31Tape&Reel

RoHS compliant
 Unit: mm

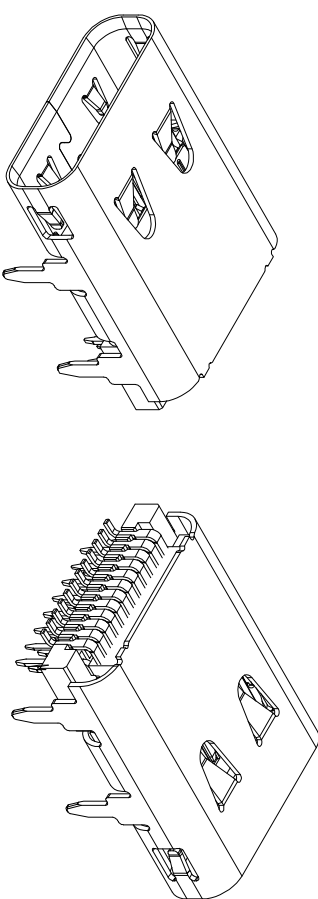
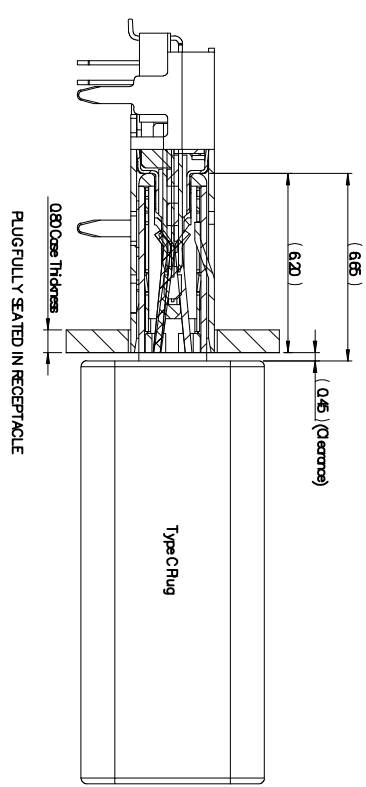
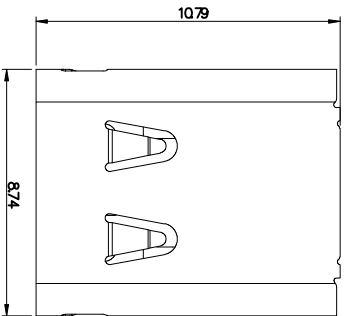
| Scale | Free | | | | | | | | |
|------------------|-------|-----|--------------|------------|--------|------------|--------|--|--|
| TOLERANCE | | | | | | | | | |
| X. | ±0.50 | | | | | | | | |
| X.X | ±0.30 | | | | | | | | |
| X.XX | ±0.20 | | | | | | | | |
| DIM TOL | | | | | | | | | |
| X.° | ±2° | | | | | | | | |
| Angle | TOL | Id. | Modification | Date | Name | Date | Name | | |
| | | Ⓢ | Drawn | 30.10.2015 | Winnie | 30.10.2014 | Winnie | | |



| Customer-No. | ASSMANN WSW-No. | Drawing-No. | Replace | Sheet |
|--------------|-----------------|-------------|-------------|-------|
| | AUSB1-DFN-PTX3 | | ASS 7048 CO | rev00 |
| | | | | 1/3 |

| | | | | | | | |
|--------|---------|---|---|---|---|---|---|
| 1 | 2 | 3 | 4 | 5 | 6 | 7 | A |
| 1 | 2 | 3 | 4 | 5 | 6 | 7 | A |
| H | G | F | E | D | C | B | A |
| H | G | F | E | D | C | B | A |
| SV3725 | CON0735 | | | | | | |

1 2 3 4 5 6 7



RoHS compliant
Unit: mm

| Scale | Free | | | | | | | | |
|------------------|-------|--|--|--|--|--|--|--|--|
| TOLERANCE | | | | | | | | | |
| X. | ±0.50 | | | | | | | | |
| X.X | ±0.30 | | | | | | | | |
| X.XX | ±0.20 | | | | | | | | |
| DIM TOL | | | | | | | | | |
| X.° | ±2° | | | | | | | | |
| Angle | | | | | | | | | |
| | TOL | | | | | | | | |

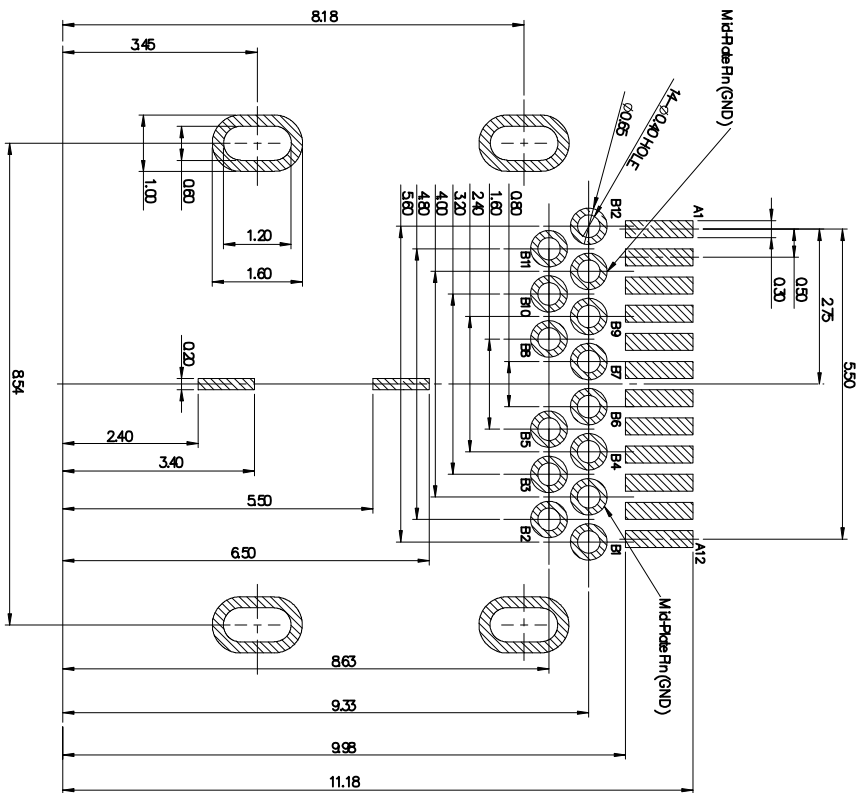
| Id. | Modification | Date | Name | Date | Name |
|-----|--------------|------------|--------|------------|--------|
| ① | Drawn | 30.10.2015 | Winnie | 30.10.2014 | Winnie |
| | | | | 30.10.2015 | Winnie |

| | | | | |
|--------------|-----------------|-------------|---------|-------|
| Customer-No. | ASSMANN WSW-No. | Drawing-No. | Replace | Sheet |
| | AUSB1-DFN-PTX3 | ASS 7048 CO | rev00 | 2/3 |



1 2 3 4 5 6 7

SV3725
CON0735



USB TYPE -C Pin Assignments

| PinNumber | Signal Name | Pin Number | Signal Name |
|-----------|-------------|------------|-------------|
| A1 | GND | B1 2 | GND |
| A2 | SSTXp1 | B1 1 | SSRXp1 |
| A3 | SSTXn1 | B1 0 | SSRXn1 |
| A4 | VBUS | B9 | VBUS |
| A5 | CC1 | B8 | SBU2 |
| A6 | Dp1 | B7 | Dn2 |
| A7 | Dn1 | B6 | Dp2 |
| A8 | SBU1 | B5 | CC2 |
| A9 | VBUS | B4 | VBUS |
| A1 0 | SSRXn2 | B3 | SSTXn2 |
| A1 1 | SSRXp2 | B2 | SSTXp2 |
| A1 2 | GND | B1 | GND |

Recommended PCB Layout
Tolerance ±0.05
PCB Thickness=1.00 For Dim-A 1.50 solder Tail

ROHS compliant
Unit: mm

| Scale | Free | | | | |
|----------|-------|-----|--------------|------------|--------|
| TOLEANCE | | | | | |
| X. | ±0.50 | | | | |
| X.X | ±0.30 | | | | |
| X.XX | ±0.20 | | | | |
| DIM | TOL | | | | |
| X.° | ±2° | | | | |
| Angle | TOL | Id. | Modification | Date | Name |
| | | Ⓢ | Drawn | 30.10.2015 | Winnie |

| Date | Name |
|----------|--------|
| Drawn | Winnie |
| Approved | Winnie |



| Customer-No. |
|-----------------------------------|
| ASSMANN WSW-No. AUSB1-DFN-PTX3 |

| Drawing-No. | Replace | Sheet |
|-------------|---------|-------|
| ASS 7048 CO | Replace | 3/3 |