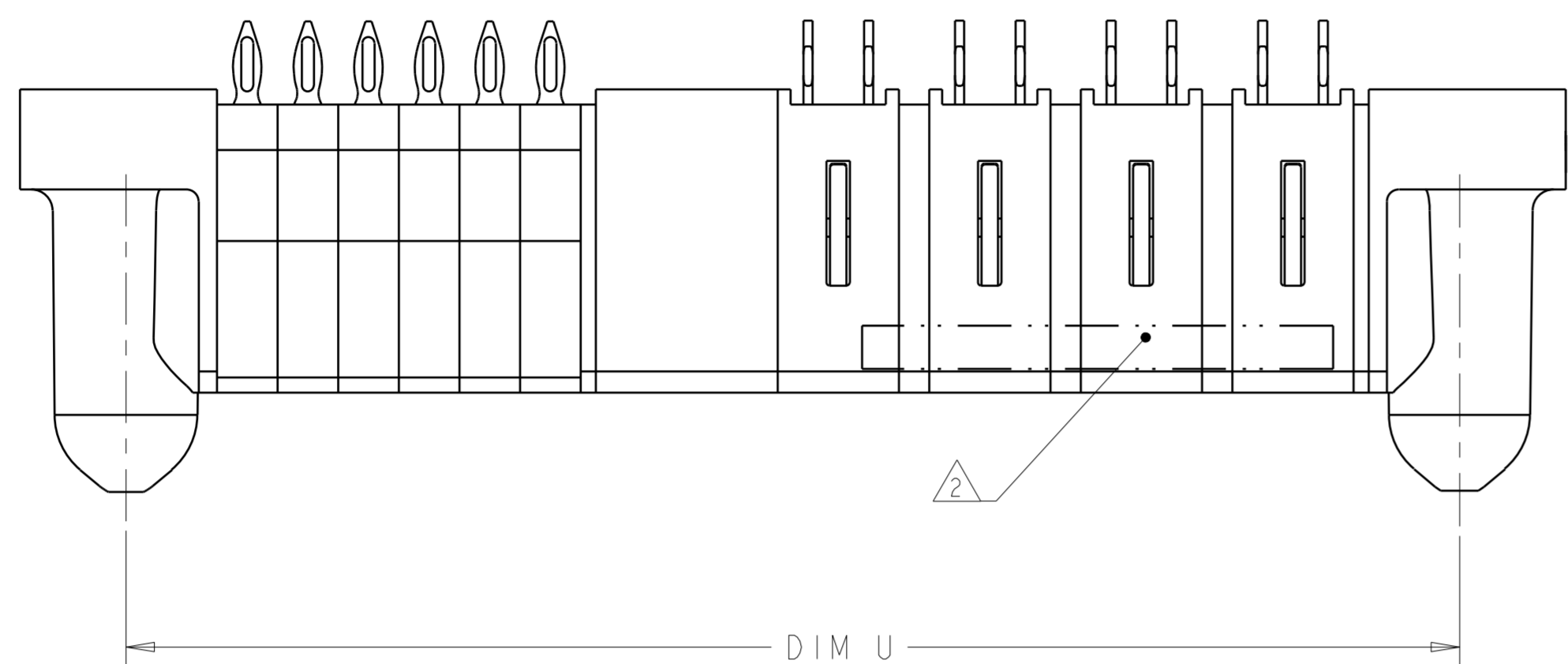
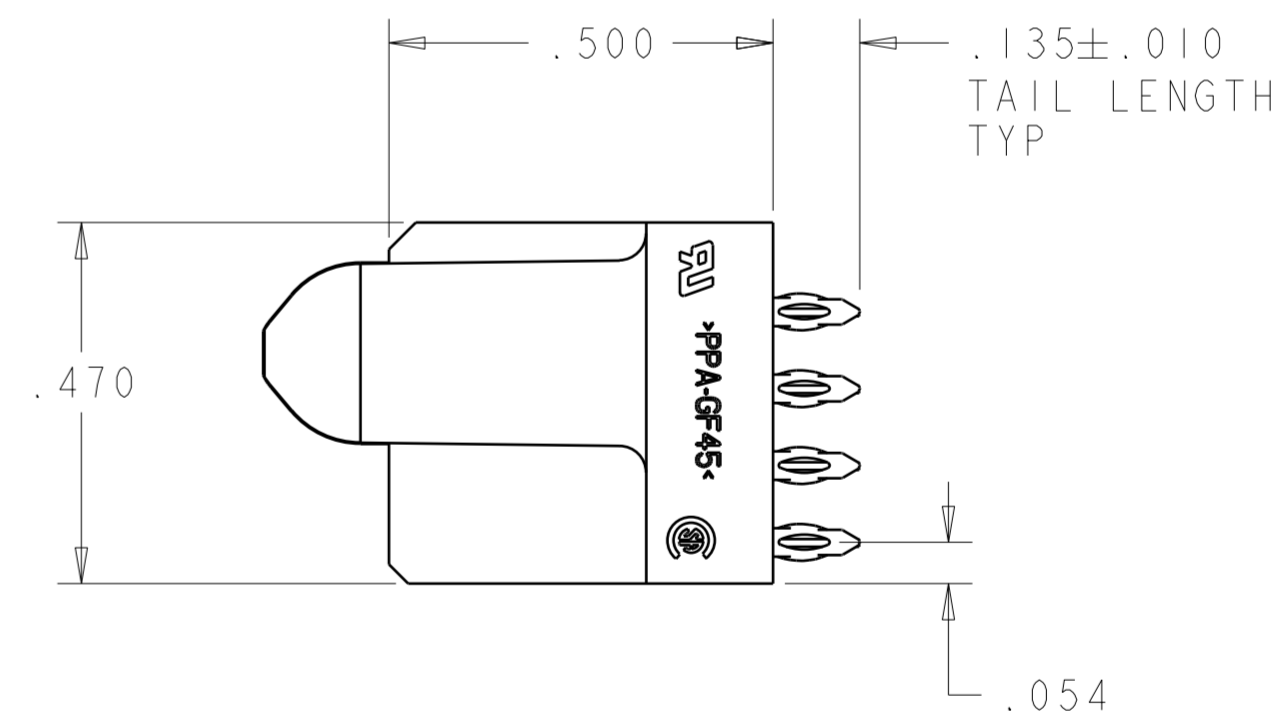
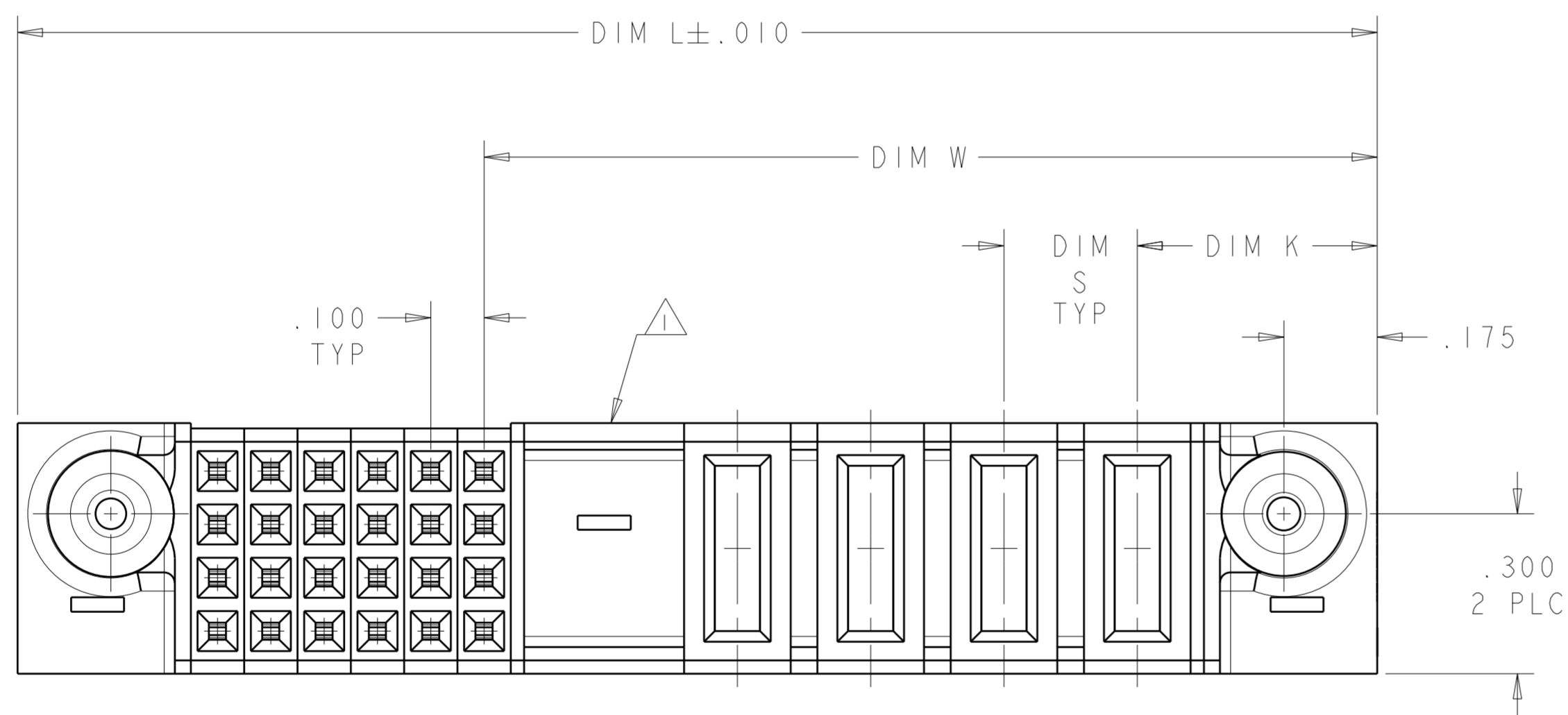


THIS DRAWING IS UNPUBLISHED. RELEASED FOR PUBLICATION 20  
 © COPYRIGHT 20 BY TYCO ELECTRONICS CORPORATION. ALL RIGHTS RESERVED.

LOC	DIST	REVISIONS			
		REV	DATE	BY	APPD
ES	00	A	10OCT2006	CZ	SY



- ① OPTIONAL CENTER MODULE, WITH Ø.150 THRU HOLE OR HOLD DOWN FEATURE
- ② "AMP", PART NUMBER, AND DATE CODE TO BE MARKED IN AREA SHOWN, FAR SIDE
- ③ MATERIAL: HOUSING - GLASS FILLED HIGH TEMP THERMO PLASTIC, UL94 V-0  
 SIGNAL CONTACT - HIGH CONDUCTIVITY COPPER ALLOY  
 POWER CONTACT - HIGH CONDUCTIVITY COPPER ALLOY
- ④ CONTACT PLATING: SIGNAL CONTACTS - .000050 MIN Ni UNDER ALL  
 .000030 MIN Au ON CONTACT AREA  
 .000100 MIN Sn AT PCB INTERFACE  
 POWER CONTACTS - .000050 MIN Ni UNDER ALL  
 .000030 MIN Au ON CONTACT AREA  
 .000100 MIN Sn AT PCB INTERFACE
- ⑤ MECHANICAL CONNECTOR KEEP OUT ZONE
- ⑥ DATUM AND BASIC DIMENSIONS ESTABLISHED BY CUSTOMER
- ⑦ PCB - ALL HOLE DIAMETERS ARE FINISHED HOLE SIZES
- ⑧ PCB - .0453 +/- .0010 DRILLED HOLES PLATED WITH .0003 MIN Sn  
 OVER .001 TO .003 PLATING TO ACHIEVE A .040 DIA HOLE
- ⑨ VARIABLE DIMENSIONS SHOWN ON VIEW ( SHEETS 2 AND 3).
- ⑩ POWER CONTACT AREA LUBRICATED WITH LUBRICANT.



PRELIMINARY

5.100	⑨	2.375	5.450	.450	8P + 112S	1892432-4
3.800	⑨	3.175	4.150	.450	12P + 28S	1892432-3
2.275	⑨	1.750	2.625	.450	5P + 24S	1892432-2
2.925	.250	2.375	3.275	.450	8P + 24S	1892432-1
U	S	W	L	K	DESCRIPTION	PART NUMBER

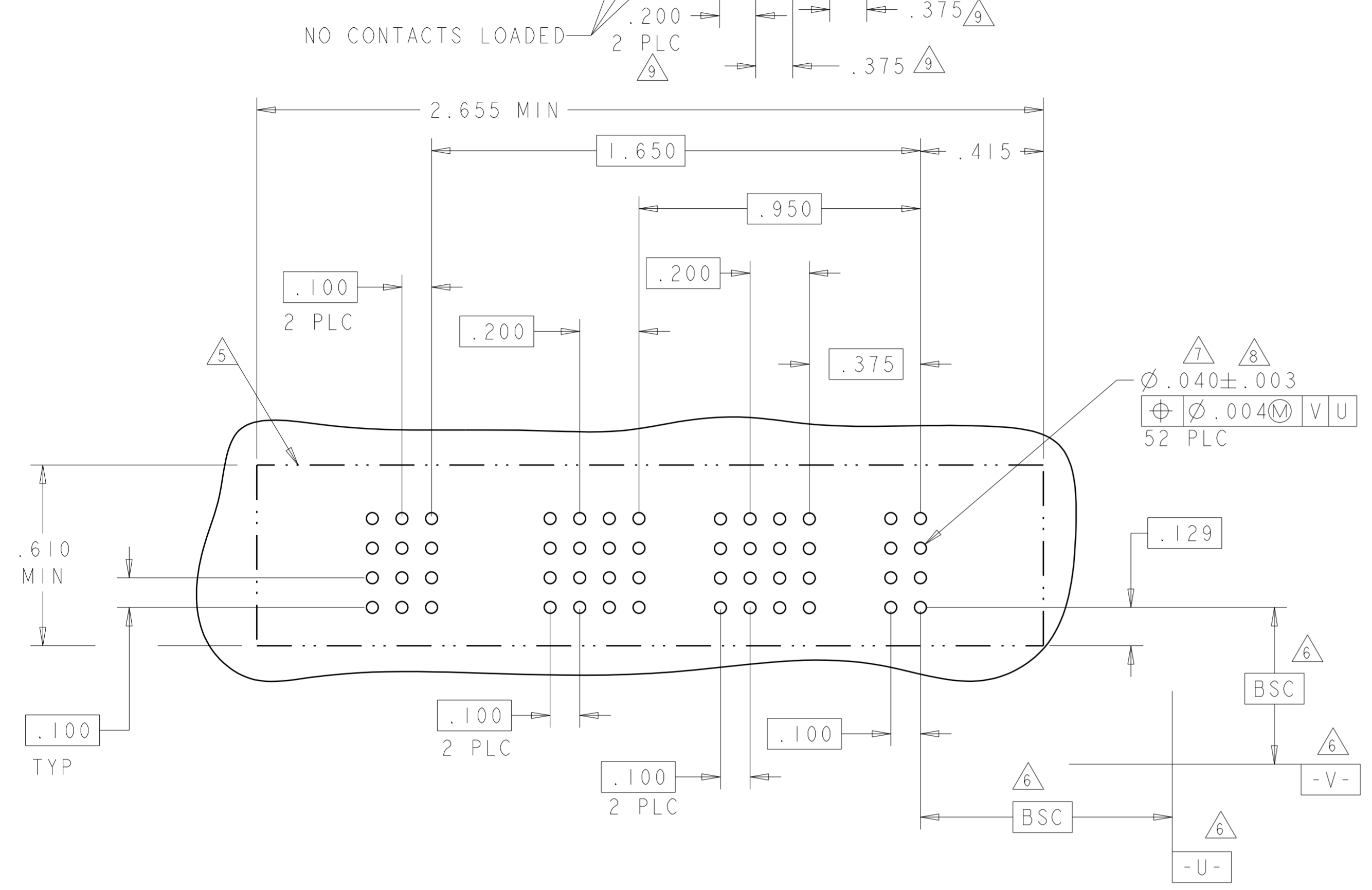
DIMENSIONS:		TOLERANCES UNLESS OTHERWISE SPECIFIED:		DWN 10OCT2006 CECILY.ZHOU		Tyco Electronics incorporated Shanghai, P.R. 200233	
INCHES		0 PLC ± 1 PLC ± 2 PLC ±.01 3 PLC ±.005 4 PLC ±.0020		CHK 10OCT2006 S.ZHAO		APVD S.YAO	
MATERIAL		FINISH		PRODUCT SPEC 108-1973		NAME VERTICAL RECEPTACLE ASSEMBLY WITH GUIDES MULTI-BEAM XL	
③		④		APPLICATION SPEC 114-13038		SIZE CAE CODE DRAWING NO. A   00779 C-1892432	
CUSTOMER DRAWING		SCALE 4:1		SHEET 1 OF 3		REV A	

LOC	DIST	REV	DATE	BY	APPD
ES	00				

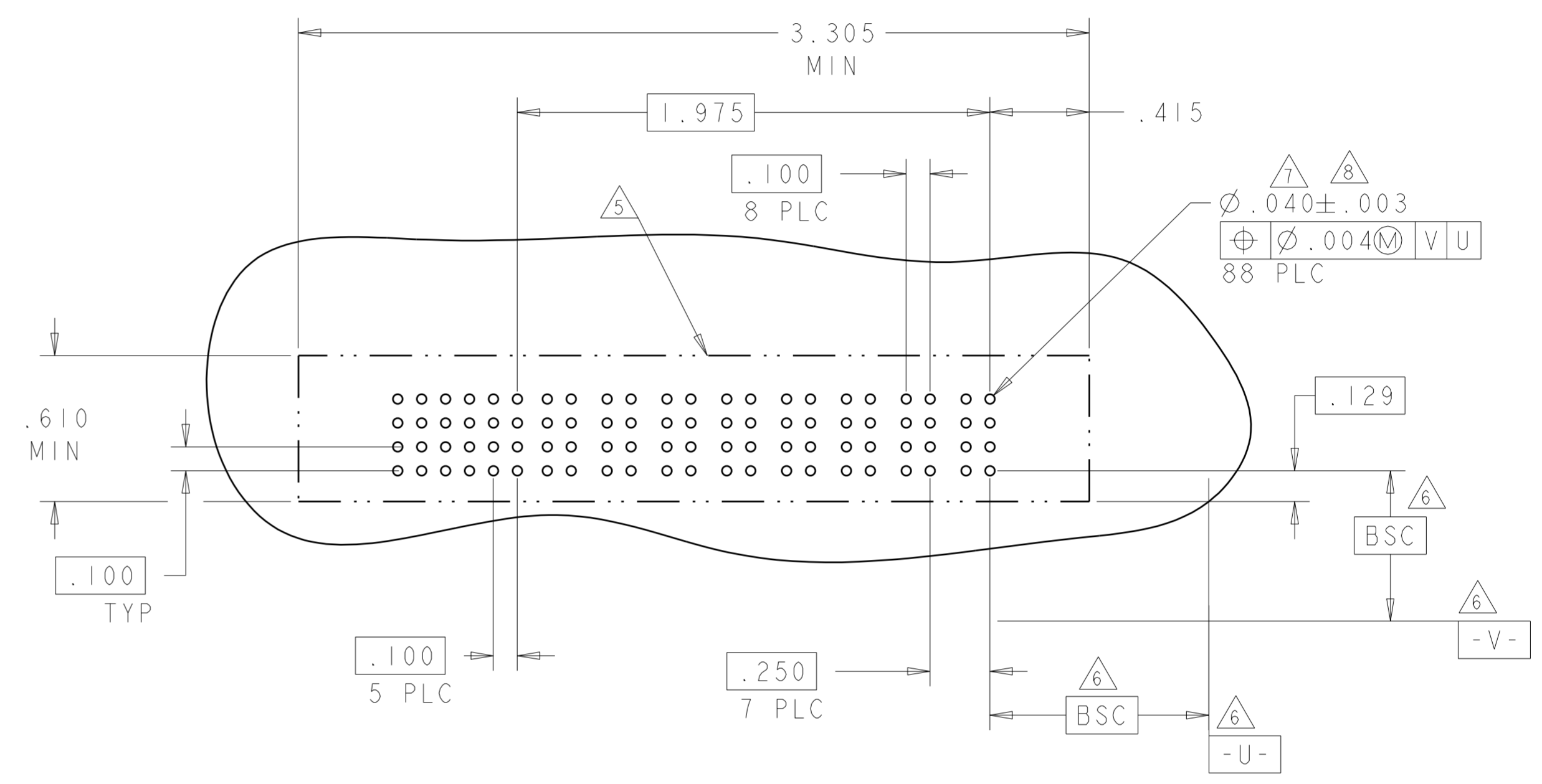
  

REVISONS		DATE	DWN	APVD
1	SEE SHEET 1			

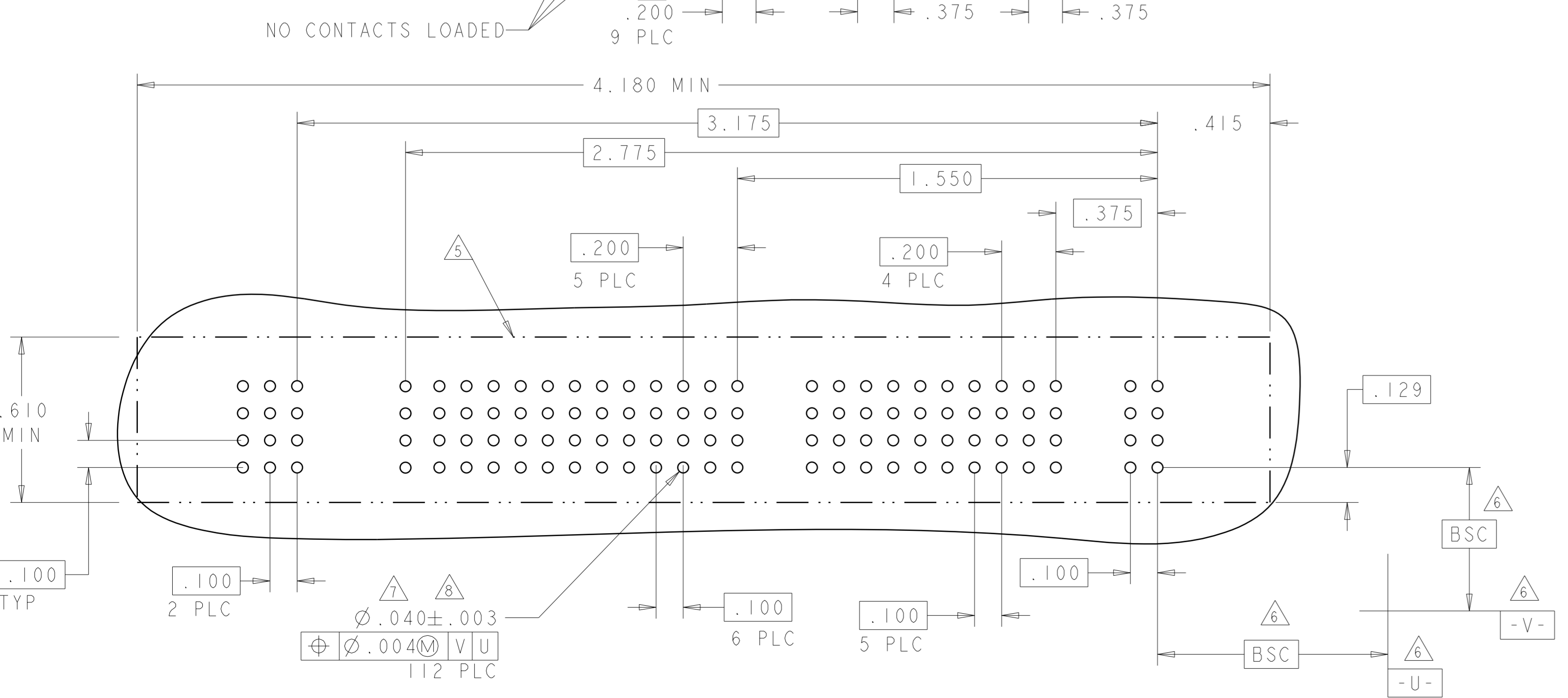
PART NUMBER	ROWS	SIGNAL						POWER					
		6	5	4	3	2	1	P5	P4	P3	P2	P1	
1892432-2	D C B A	AP	AP	AP	AP			GS	GS	GP	GP	GP	
		AP	AP	AP	AP								
		AP	AP	AP	AP								
		AP	AP	AP	AP								



ASSY PART NUMBER	ROWS	SIGNAL						POWER							
		6	5	4	3	2	1	P8	P7	P6	P5	P4	P3	P2	P1
1892432-1	D C B A	AP	AP	AP	AP	AP	AP	GP	GP	GP	GP	GS	GS	GS	GS
		AP	AP	AP	AP	AP	AP								
		AP	AP	AP	AP	AP	AP								
		AP	AP	AP	AP	AP	AP								



PART NUMBER	ROWS	SIGNAL							POWER												
		7	6	5	4	3	2	1	P12	P11	P10	P9	P8	P7	P6	P5	P4	P3	P2	P1	
1892432-3	D C B A	AP	AP	AP	AP			AP	GP	GS	GS	GS	GS	GS	GP	GP	GP	GP	GP	GP	
		AP	AP	AP	AP			AP													
		AP	AP	AP	AP			AP													
		AP	AP	AP	AP			AP													



<small>THIS DRAWING IS A CONTROLLED DOCUMENT FOR TYCO ELECTRONICS CORPORATION. IT IS SUBJECT TO CHANGE AND THE CONTROLLING ENGINEERING DEPARTMENT SHOULD BE CONTACTED FOR THE LATEST REVISION.</small>		DWN: CECILY.ZHOU CHK: S.ZHAO APVD: S.YAO	10OCT2006 10OCT2006 10OCT2006	<b>tyco</b> Electronics Tyco Electronics incorporated Shanghai, P.R. 200233
DIMENSIONS: INCHES 	TOLERANCES, UNLESS OTHERWISE SPECIFIED: 0 PLC ±. 1 PLC ±. 2 PLC ±.01 3 PLC ±.005 4 PLC ±.0020 ANGLES ±30°	NAME: VERTICAL RECEPTACLE ASSEMBLY WITH GUIDES MULTI-BEAM XL PRODUCT SPEC: 108-1973 APPLICATION SPEC: 114-13038 WEIGHT:	SIZE: A1 CASE CODE: 00779 DRAWING NO: C-1892432 RESTRICTED TO:	SCALE: 4:1 SHEET: 2 OF 3 REV: A
MATERIAL: FINISH:		CUSTOMER DRAWING		

