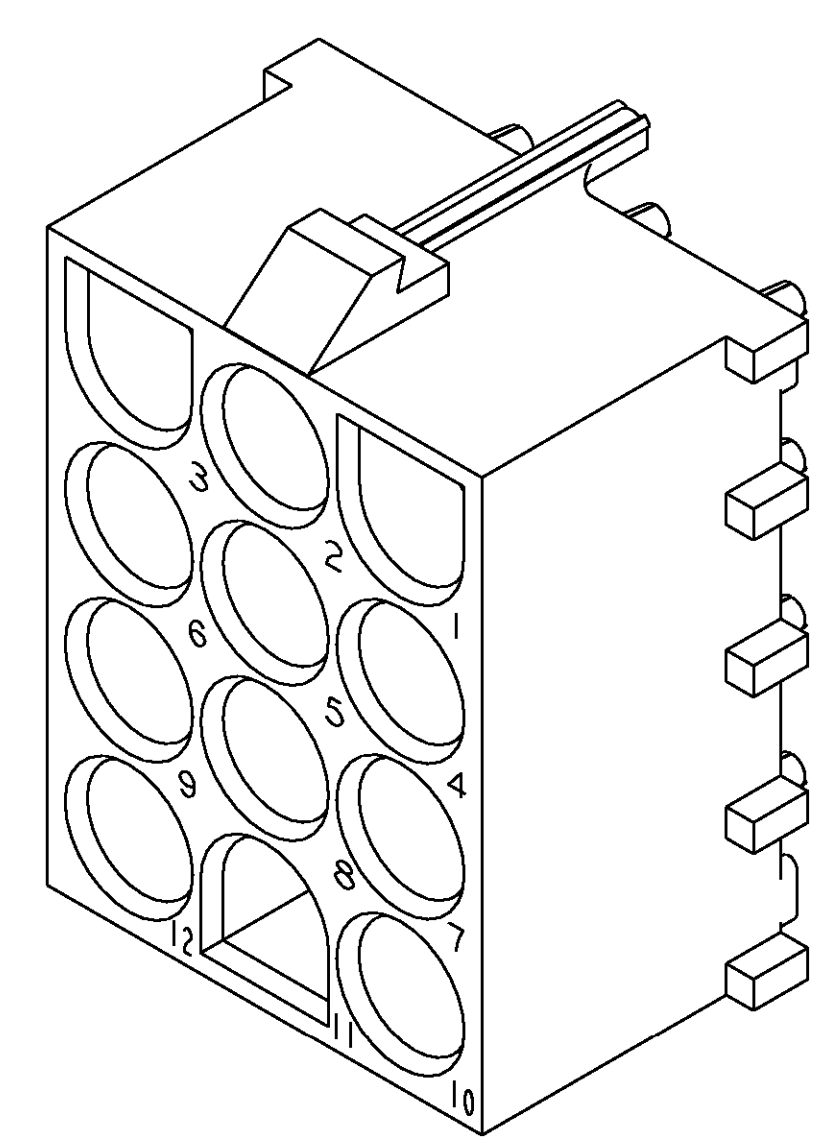
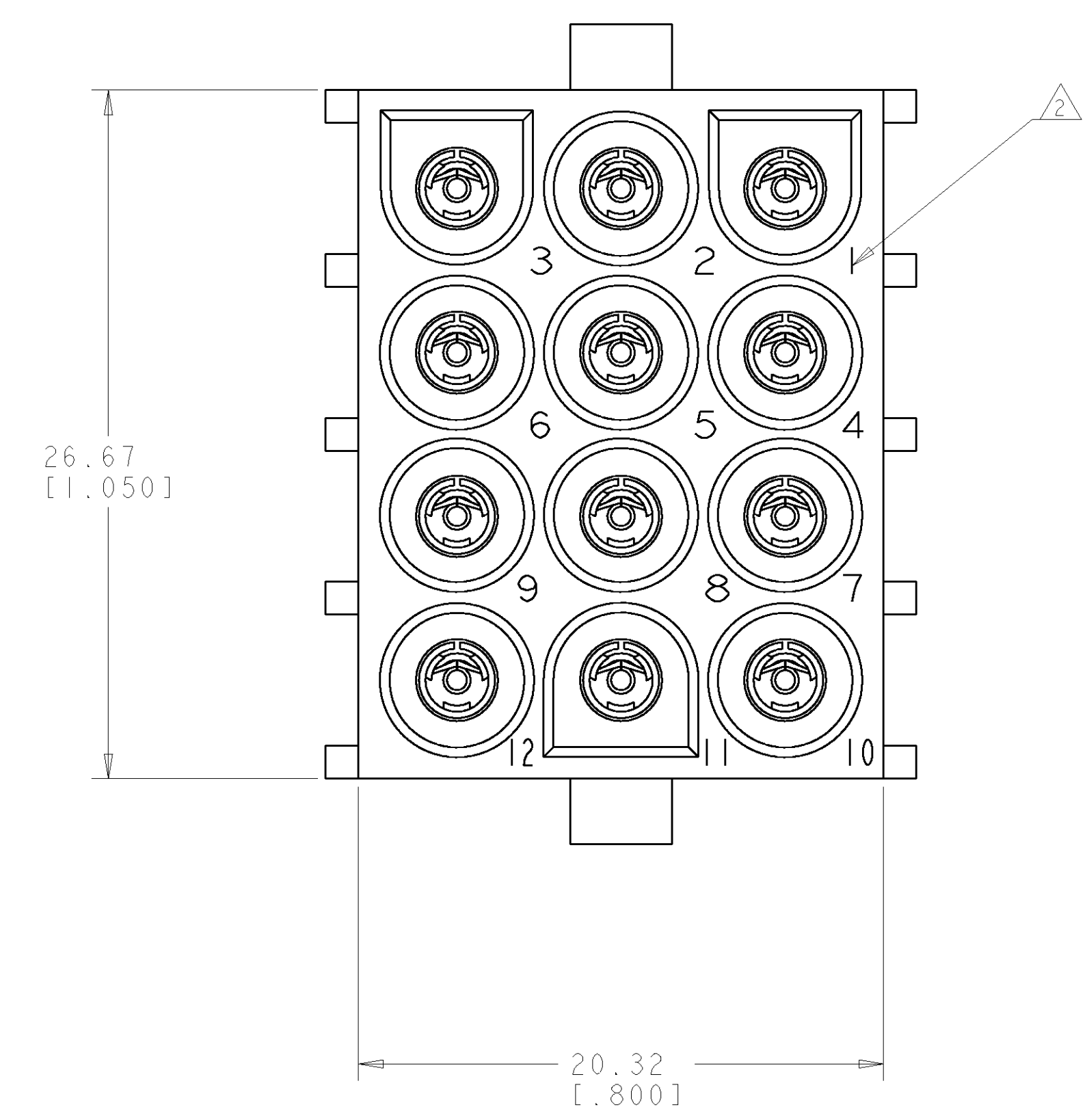
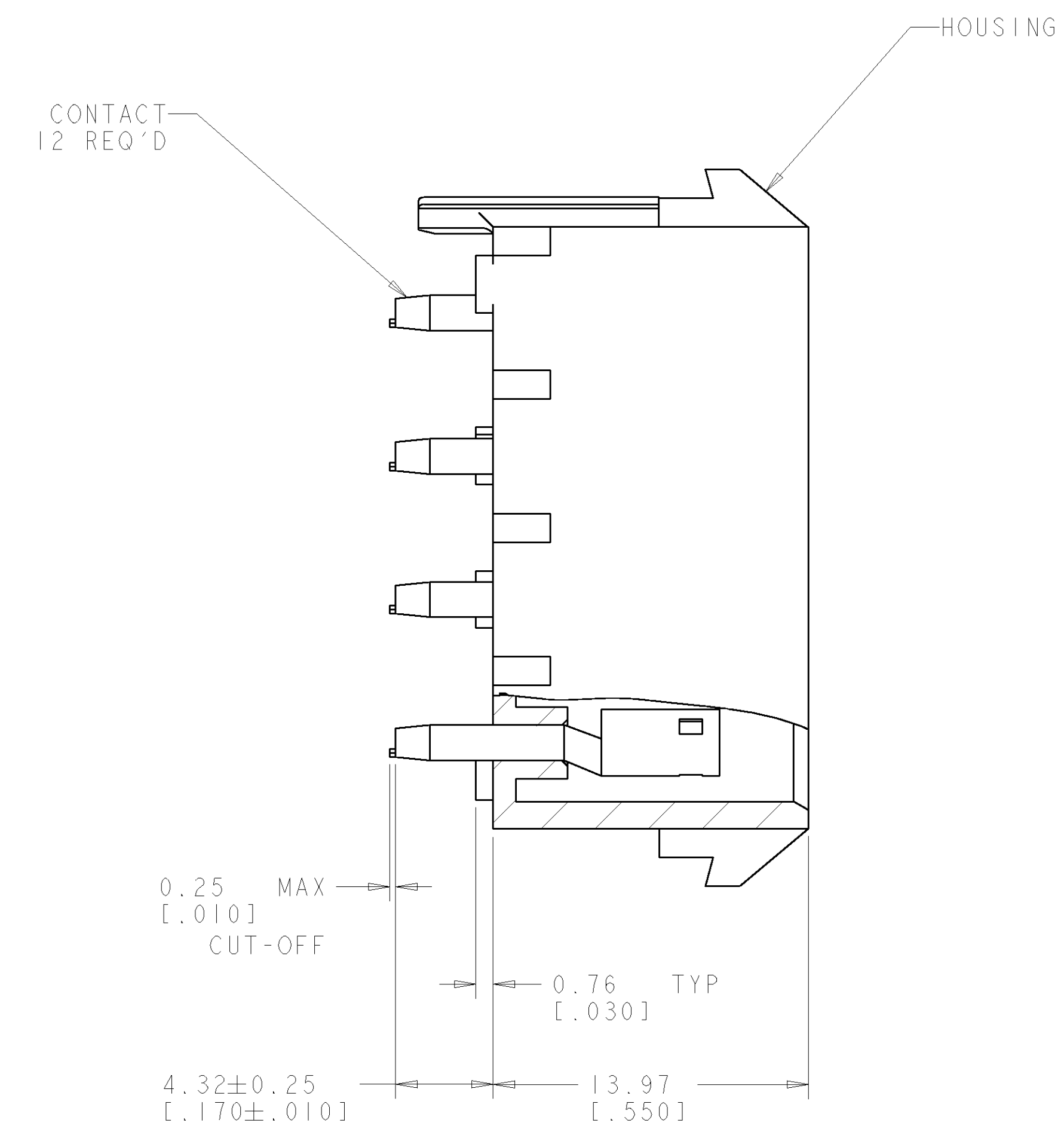
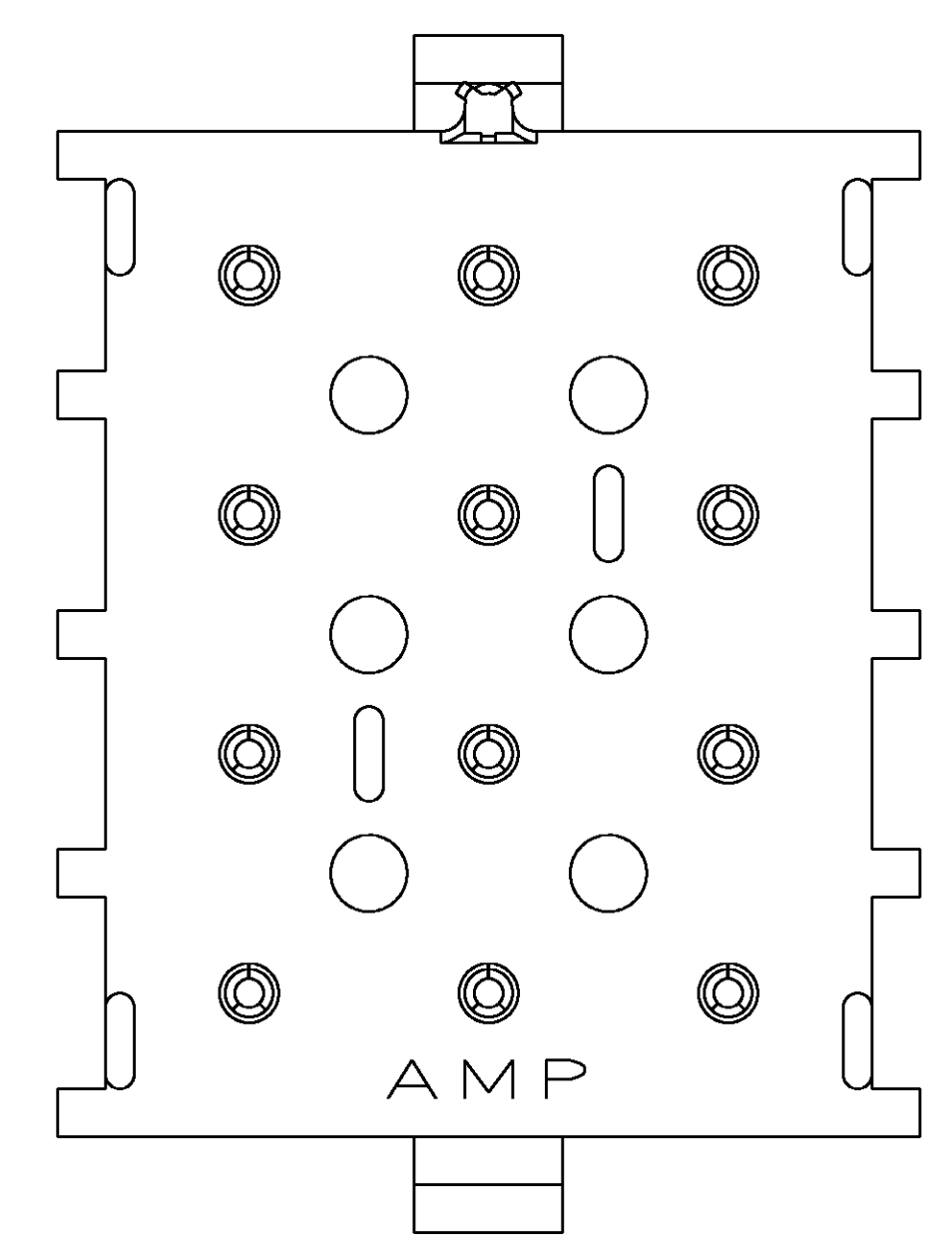
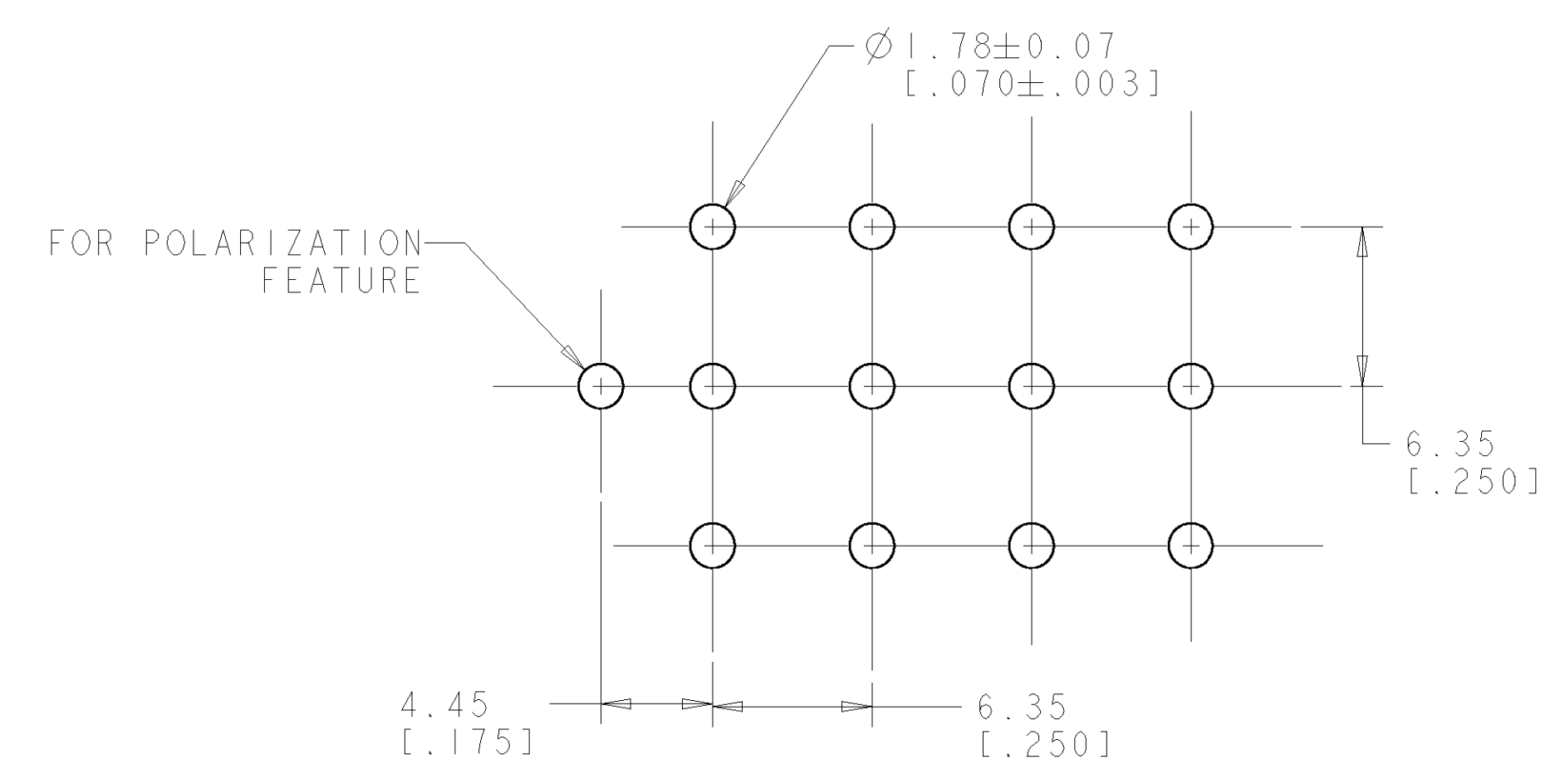


LOC		DIST		REVISIONS			
CM	00	P	LTR	DESCRIPTION	DATE	DWN	APVD
		0		REVISED PER 0638-0439-03	15-AUG-03	KW	SR

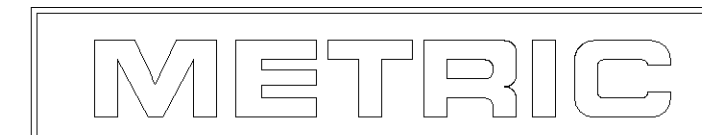
1. PARTS COMPLY WITH AMP SOLDERABILITY SPEC. 109-11-2.
 2. CIRCUIT IDENTIFICATION CHARACTERS ARE ADJACENT TO THE INDICATED CAVITIES, BUT LOCATION AND ORIENTATION MAY DIFFER FROM PRINT.



3 DIMENSIONAL MODEL
 SCALE 4:1



RECOMMENDED LAYOUT FOR
 1.57 [.062] THICK P.C. BOARD



PH BRZ	PRE-TIN	NYLON, 94V-0	WHITE	1586255-1
MATERIAL	FINISH	MATERIAL	COLOR	PART NO
PIN		HOUSING		
DIMENSIONS: mm [INCHES]		DWN R. WHITAKER 5-AUG-2003 ENR S. RIDGILL 15-AUG-2003 APVD S. RIDGILL 15-AUG-2003 PRODUCT SPEC APPLICATION SPEC WEIGHT FINISH CUSTOMER DRAWING		
TOLERANCES UNLESS OTHERWISE SPECIFIED: 0 PLC ± 1 PLC ± 2 PLC ±0.13(.005) 3 PLC ± 4 PLC ± ANGLES ±		Tyco Electronics Harrisburg, PA 17105-3608 NAME: HEADER ASSEMBLY, SOCKET, POLARIZED, 12 CIRCUIT, W/O DRAIN HOLES, UNIVERSAL MATE-N-LOK™ SIZE: CAGE CODE: DRAWING NO: RESTRICTED TO A1 00779 C-1586255 SCALE 5:1 SHEET 1 OF 1 REV 0		