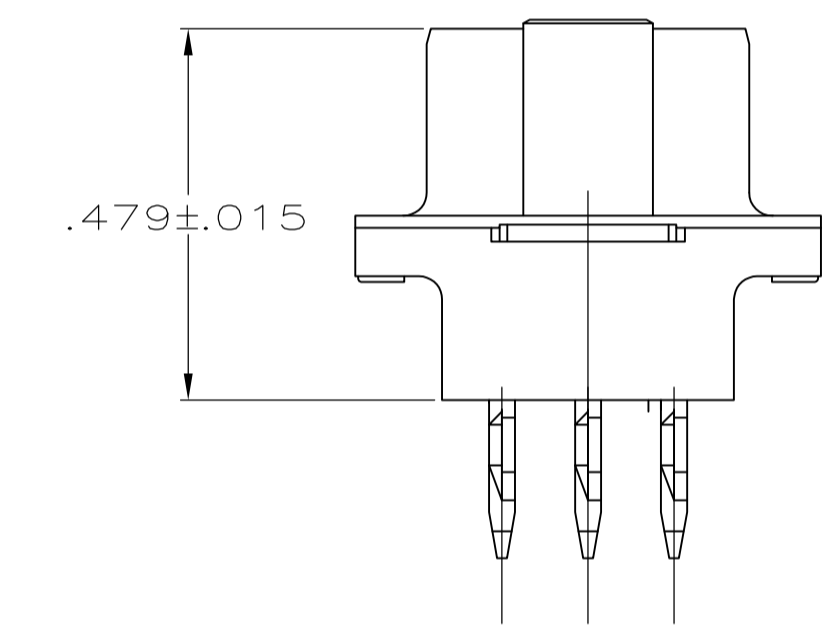
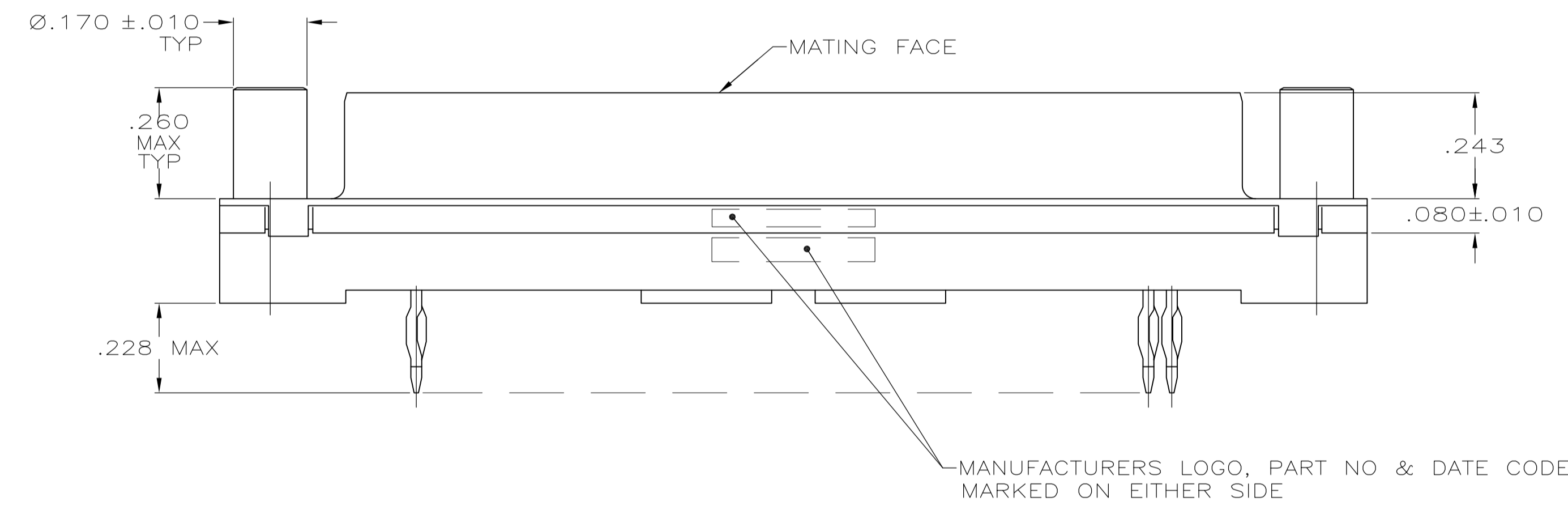
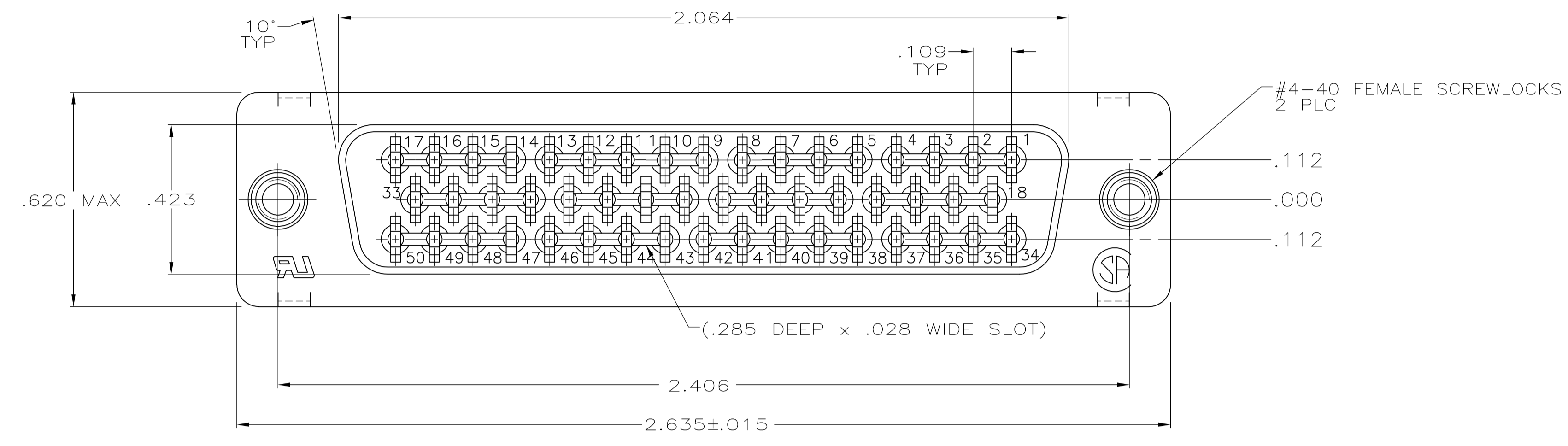


LOC		DIST		REVISIONS			
F	LTR	DESCRIPTION	DATE	DN	APVD		
C		REVISED PER ECO-12-000090	26JAN2012	CJV	SLB		



- 1 FOR USE WITH .093 MINIMUM THICK PRINTED CIRCUIT BOARD. REFER TO APPLICATION SPECIFICATION FOR PRINTED CIRCUIT BOARD LAYOUT DIMENSIONS AND FINISH RECOMMENDATIONS.
- 2 SHELL: .0002 MIN TIN OVER .000100 MIN COPPER
SCREWLOCKS: CLEAR CHROMATE
- 3 HOUSING: FLAME RETARDANT, UL 94V-0, RATED THERMOPLASTIC; COLOR: BLACK
CONTACTS: COPPER ALLOY
SHELL: CARBON STEEL
SCREWLOCKS: ZINC ALLOY
- 4 CONTACTS:
0.76 MICRO METERS [.000030] MINIMUM GOLD IN MATING AREA.
2.54 MICRO METERS [.000100] MINIMUM TIN ON COMPLIANT PIN.
ALL OVER 1.27 MICRO METERS [.000050] MINIMUM NICKEL.
OR
GOLD FLASH OVER PALLADIUM NICKEL.
0.76 MICRO METERS [.000030] MINIMUM TOTAL IN MATING AREA.
2.54 MICRO METERS [.000100] MINIMUM TIN ON COMPLIANT PIN.
ALL OVER 1.27 MICRO METERS [.000050] MINIMUM NICKEL.

5747145-2
PART NO

**COPYRIGHT 2005
 TYCO ELECTRONICS CORP
 ALL RIGHTS RESERVED**

THIS DRAWING IS A CONTROLLED DOCUMENT. DIMENSIONING AND TOLERANCING PER ASME Y14.5M-2009		DIN A. FERNANDEZ-DOCKS 03-31-05	TE Connectivity	
DIMENSIONS: INCHES		CHK S. BOLASH 03-31-05	NAME RCPT ASSY, SIZE 5, 50 POSN, AMPLIMITE HD-20, MDM PROFILE, W/ ACTION PIN CONT & METAL SHELL.	
TOLERANCES UNLESS OTHERWISE SPECIFIED:		APVD M. WALMSLEY 03-31-05	PRODUCT SPEC 108-40014	
0 PLC ± -	1 PLC ± -	APPLICATION SPEC 114-40026	SIZE A1	RESTRICTED TO
2 PLC ± .005	3 PLC ± -	WEIGHT -	CAGE CODE 00779	DRAWING NO 5747145
4 PLC ± -	ANGLES ± °	CUSTOMER DRAWING	SCALE 4:1	SHEET 1 OF 1