

## DETAILS

<b>Product Number</b>	C13508_STRADA-SQ-T2
<b>Family</b>	Strada
<b>Type</b>	Lens
<b>Color</b>	clear
<b>Diameter</b>	25 x 25 mm
<b>Height</b>	8,6 mm
<b>Style</b>	square
<b>Optic Material</b>	PMMA
<b>Holder Material</b>	
<b>Fastening</b>	pin, glue, screw
<b>Status</b>	production ready
<b>ROHS Compliant</b>	Yes
<b>Date Updated</b>	11/08/2015



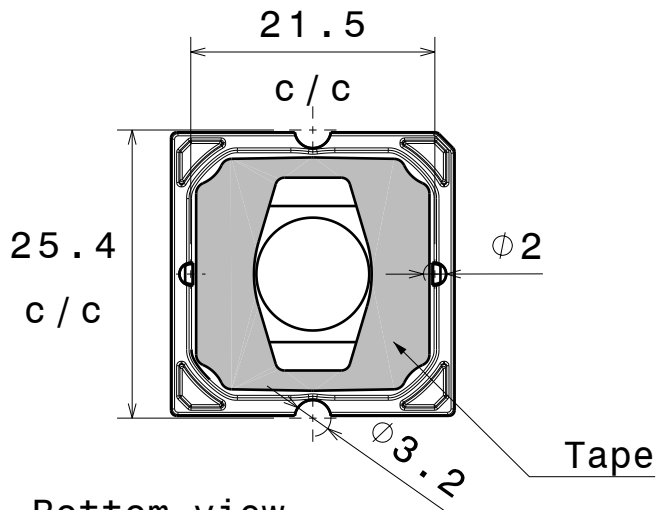
## OPTICAL PROPERTIES

LED	Viewing Angle	Light Beam	Efficiency	cd/lm	Connector
MK-R	Asymmetric deg	Asymmetric	94 %	0.600	-
XM-L2	sim: Asymmetric	Asymmetric	-	-	-
MHB-A	sim: Asymmetric	Asymmetric	-	-	-
XHP50	Asymmetric deg	Asymmetric	94 %	0.710	-
LUXEON M/MX	Asymmetric deg	Asymmetric	93 %	0.700	-
LUXEON MZ	asymmetric deg	Asymmetric	94 %	1.270	-
NS9x383	Asymmetric deg	Asymmetric	94 %	1.100	-
NFMW48xA	Asymmetric deg	Asymmetric	94 %	0.830	-
Duris S8	sim: Asymmetric	Asymmetric	sim: 92 %	-	-

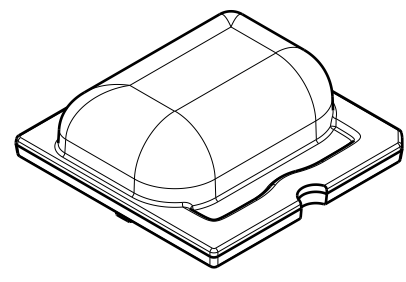
D C B A

4

4



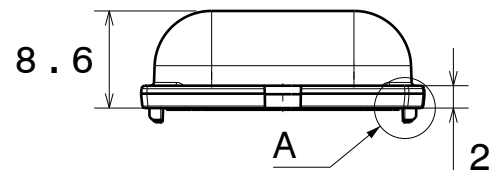
Bottom view



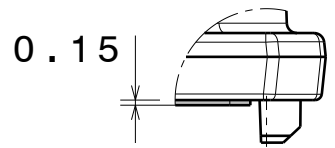
Isometric view

3

3



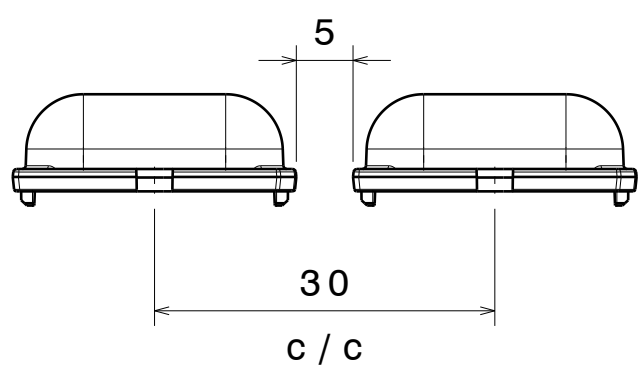
Front view



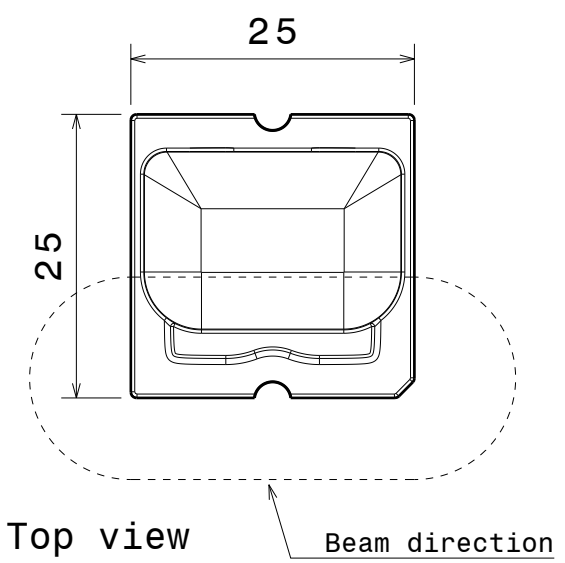
Detail A

2

2



Minimum spacing



Top view

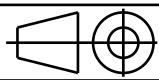
Beam direction

Tolerances if not otherwise shown  
According to DIN ISO 2768-1  
Linear measures:  
Up to 30mm class M, otherwise class C.  
According to DIN ISO 2768-2  
Form and position: class L



Ledil Oy  
Salorankatu 10  
FIN 24240 SALO  
Finland

THIRD ANGLE PROJECTION:



DRAWING TITLE  
**STRADA-SQ-T2 Datasheet**

This drawing is the property of LEDiL Oy. It may not be reproduced, copied or communicated without a written agreement with LEDiL Oy."

SIZE	PART NUMBER
A4	-

SCALE	3:2	WEIGHT	-	SHEET	1/1
-------	-----	--------	---	-------	-----

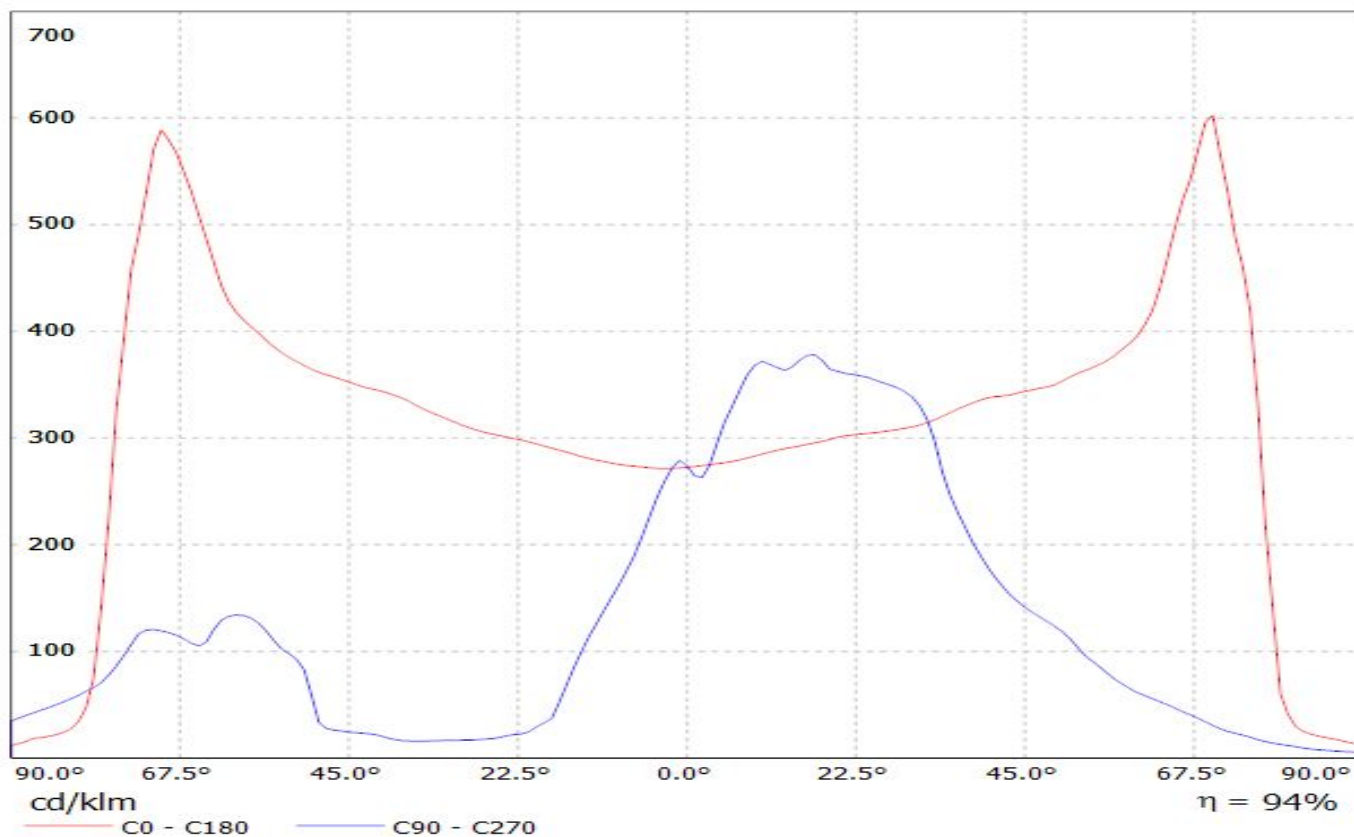
T

1

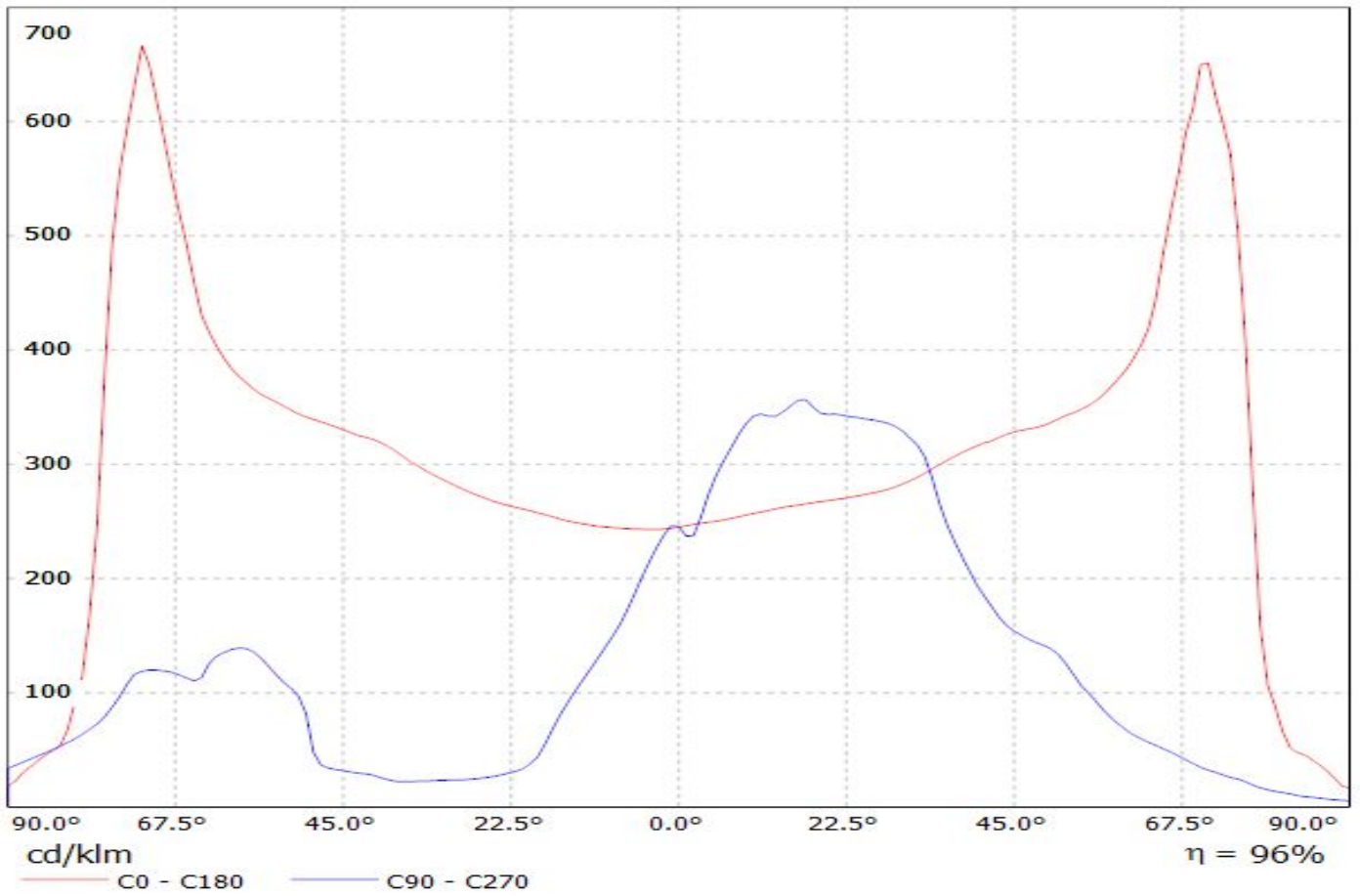
D A

# LEDiL Oy C13508\_STRADA-SQ-T2\_(MK-R) Eff.94.0% / LDC (Linear)

Luminaire: LEDiL Oy C13508\_STRADA-SQ-T2\_(MK-R) Eff.94.0%  
Lamps: 1 x CREE\_MK-R\_357.146lm@250mA\_P=2.83012W\_I=249.9mA

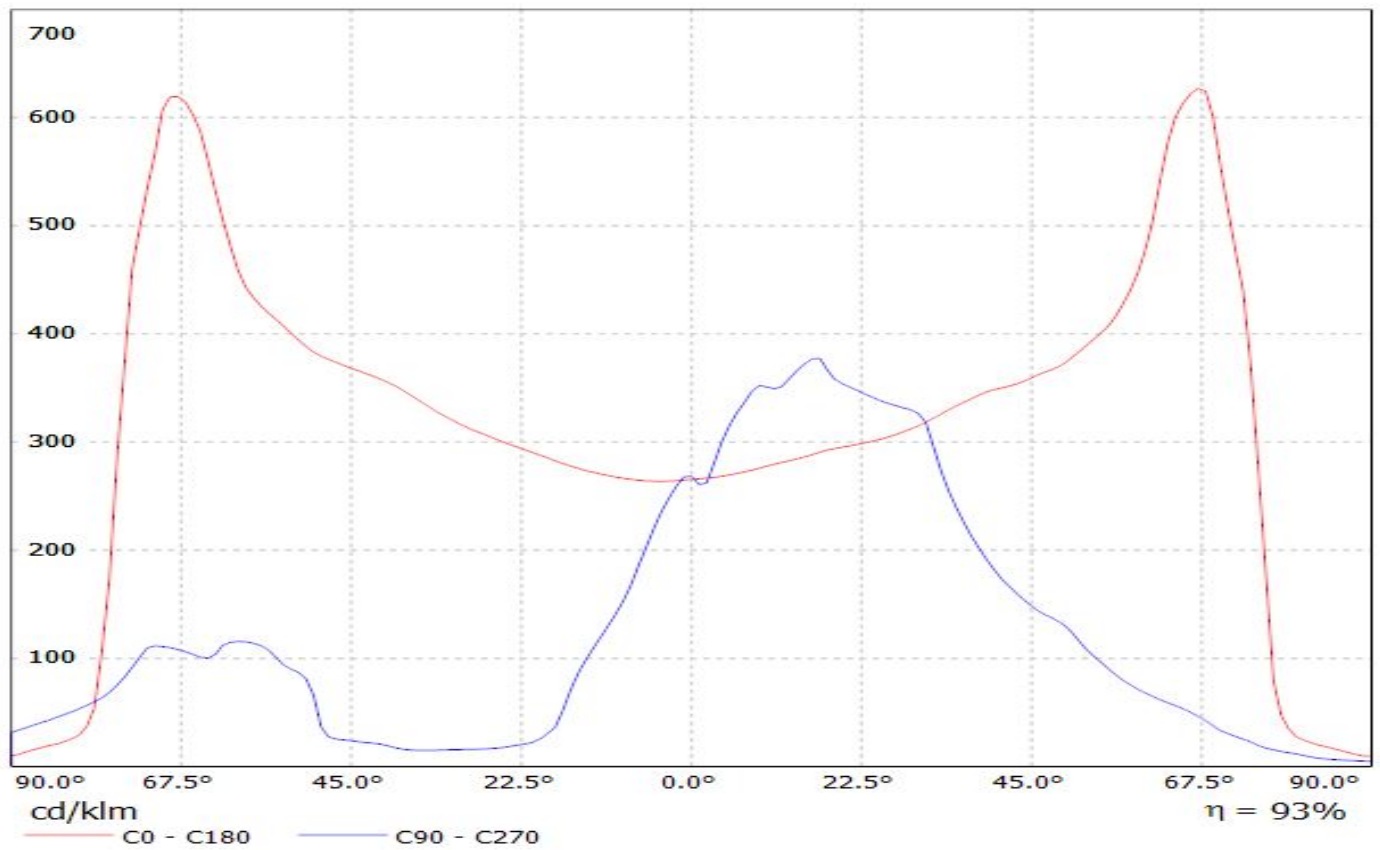


Luminaire: LEDiL Oy C13508\_STRADA-SQ-T2\_(XHP50 Cool white)  
Lamps: 1 x XHP50 Cool white\_244.744lm@250mA\_P=1.42773W\_I=0.2499A



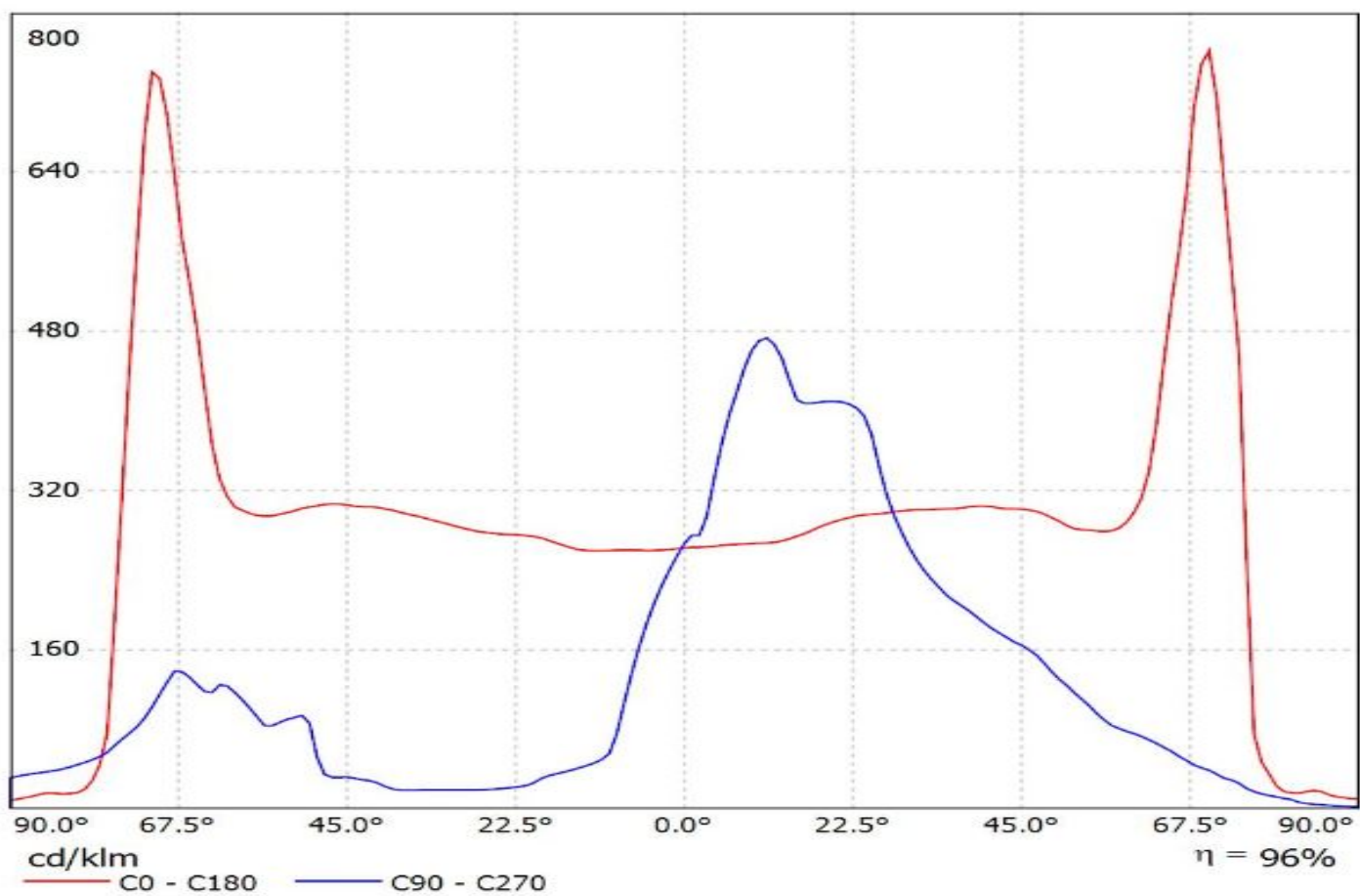
# LEDiL Oy C13508\_STRADA-SQ-T2\_(Luxeon-M) Eff.93.3% / LDC (Linear)

Luminaire: LEDiL Oy C13508\_STRADA-SQ-T2\_(Luxeon-M) Eff.93.3%  
Lamps: 1 x Luxeon-M\_349.125lm@250mA\_CCT=4092K\_P=2.73041W\_I=249.9mA



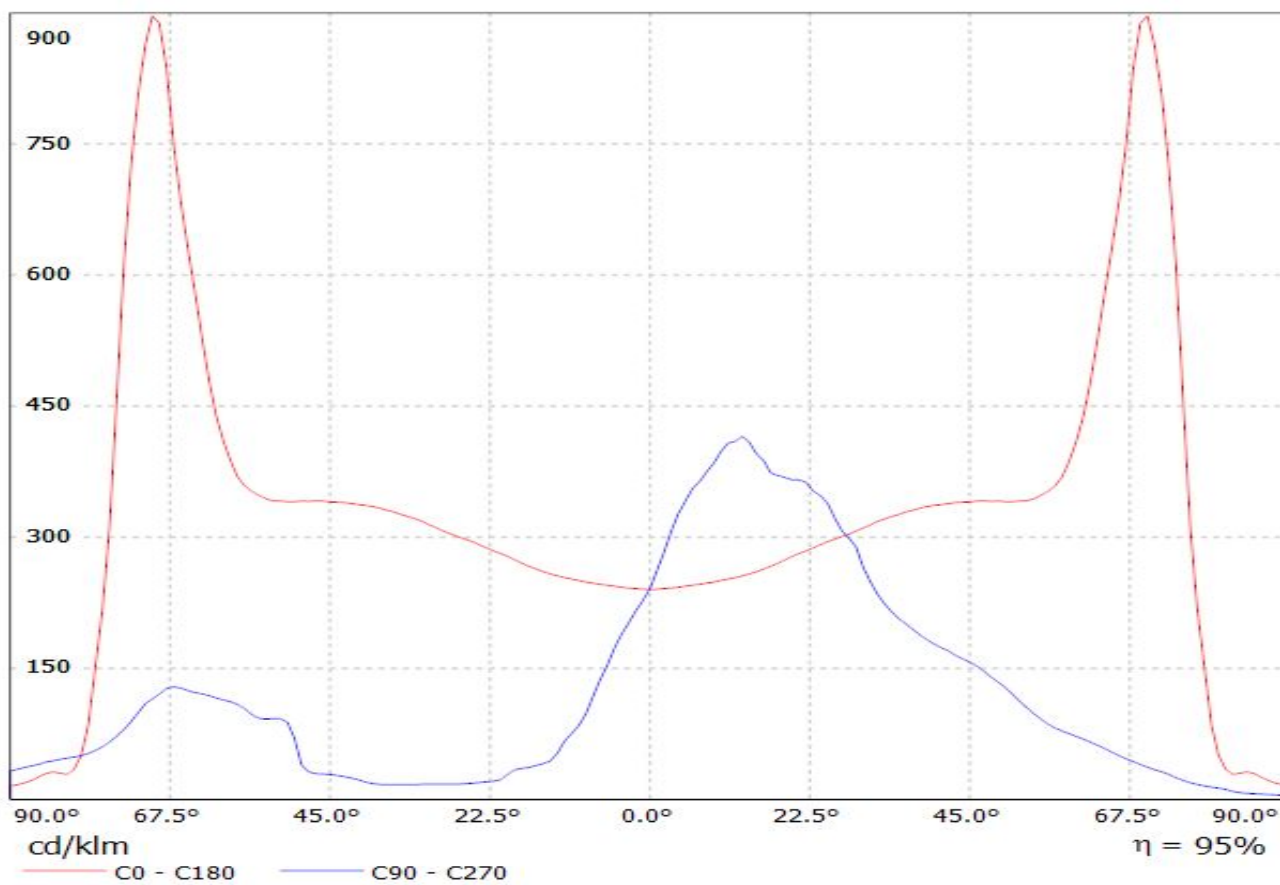
Luminaire: Ledil C13508\_STRADA-SQ-T2\_(LUXEON\_MZ)

Lamps: 1 x LUXEON\_MZ\_402.108lm@250mA\_CCT=3831K\_P=2.8W\_I=0.25A



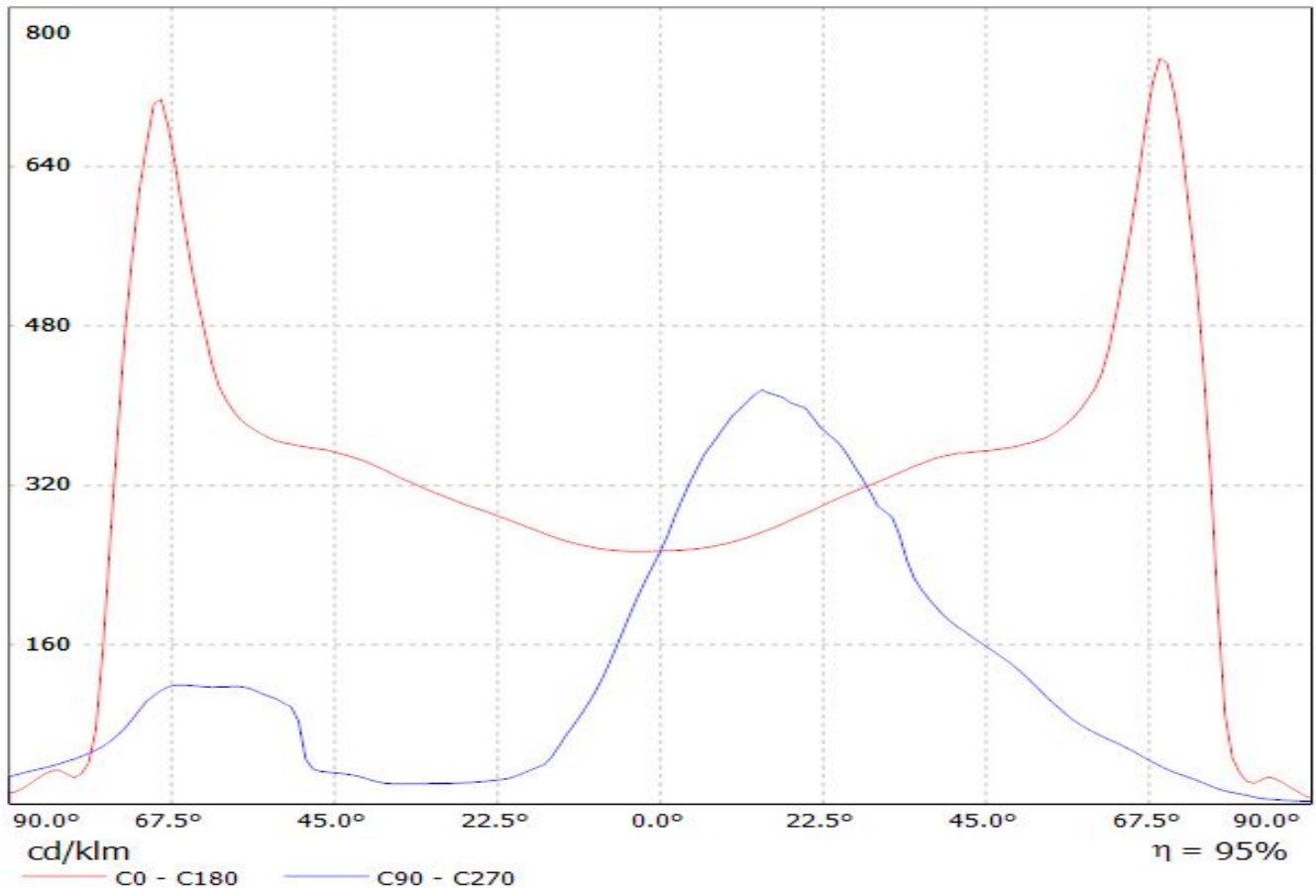
Luminaire: LEDiL Oy C13508\_STRADA-SQ-T2\_(NS9x383)

Lamps: 1 x Nichia\_NS9x383\_(NS9W383T\_SW50B13KRmm)\_107.563lm@250mA\_P=0.759096W\_I=249.9mA



Luminaire: LEDiL Oy C13508\_STRADA-SQ-T2\_(NFMx48xAR)

Lamps: 1 x Nichia\_NFMx48xAR\_(NFMW488AR)\_574.333lm@100mA\_P=4.0048W\_I=0.100A

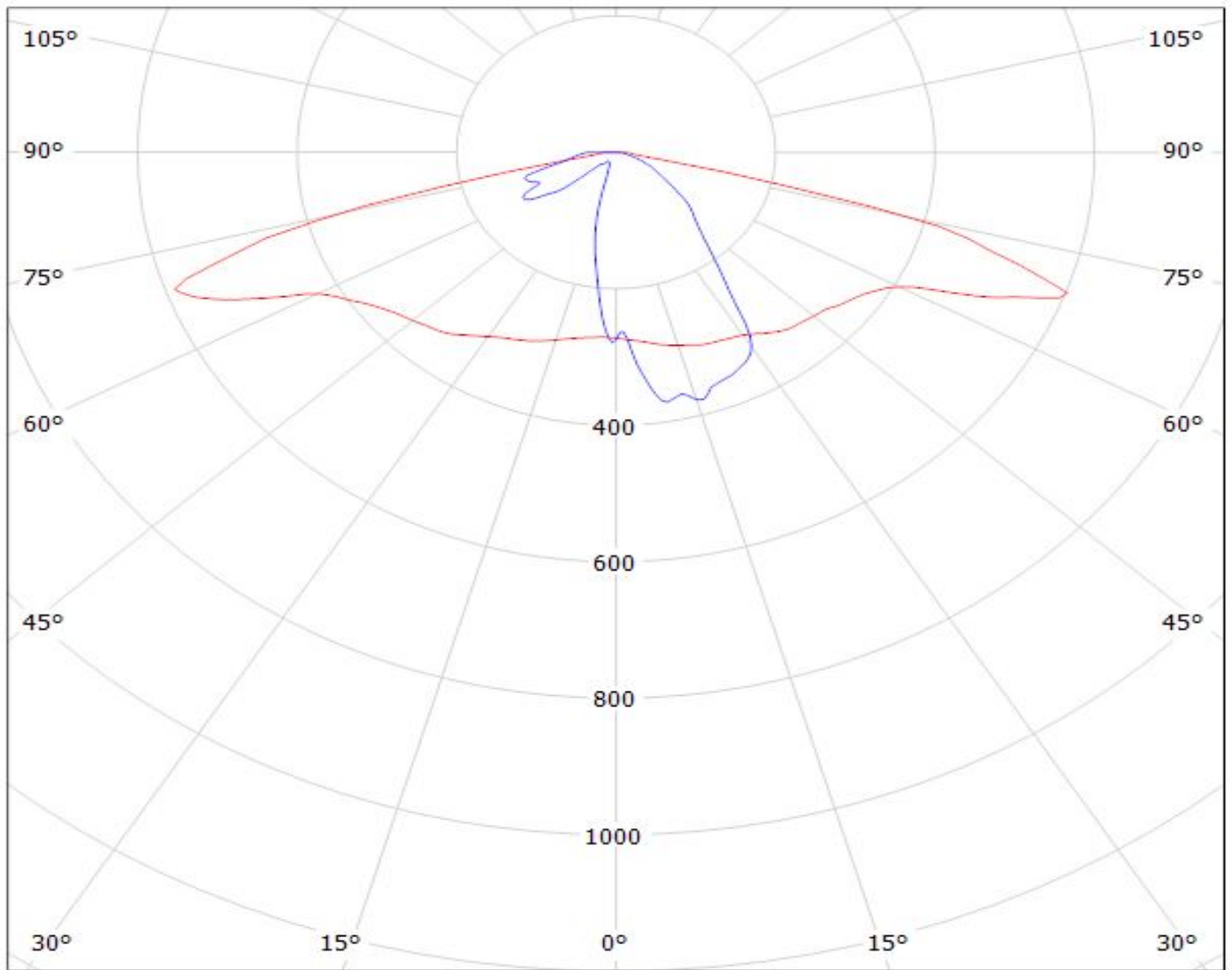




# LEDiL Oy C13508\_STRADA-SQ-T2\_(MK-R) Eff.94.0% / LDC (Polar)

Luminaire: LEDiL Oy C13508\_STRADA-SQ-T2\_(MK-R) Eff.94.0%

Lamps: 1 x CREE\_MK-R\_357.146lm@250mA\_P=2.83012W\_I=249.9mA



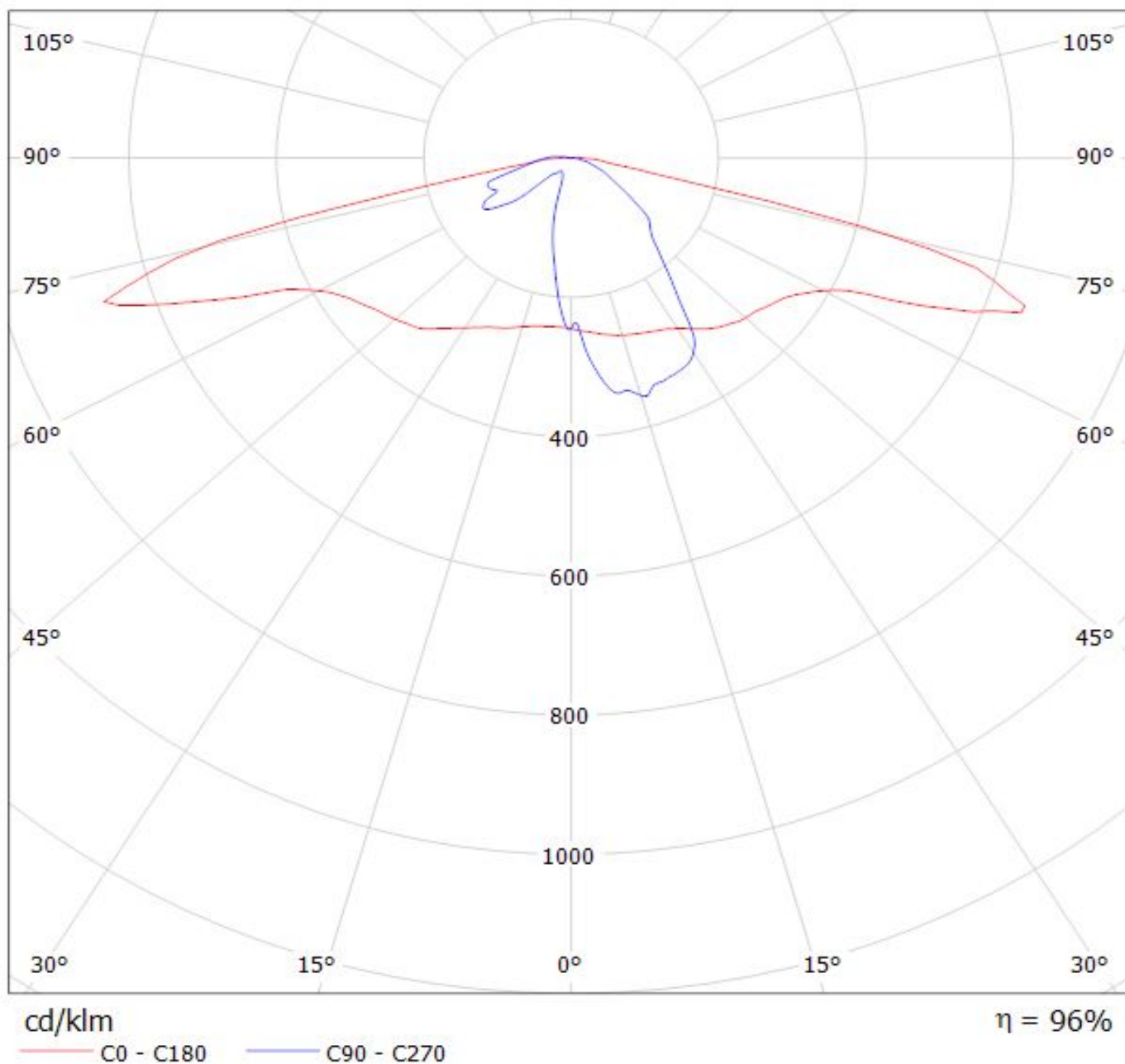
cd/klm

— C0 - C180

— C90 - C270

$\eta = 94\%$

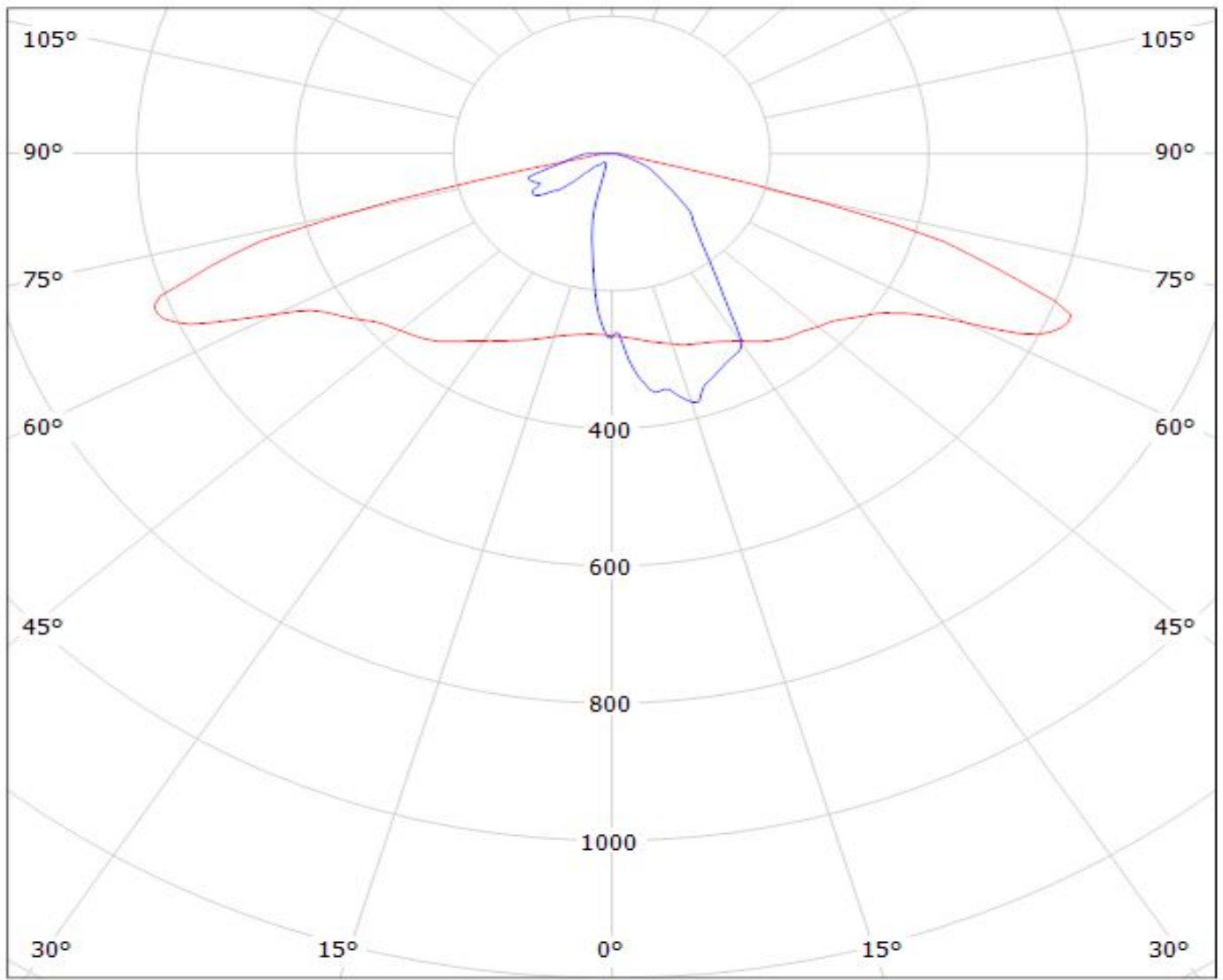
Luminaire: LEDiL Oy C13508\_STRADA-SQ-T2\_(XHP50 Cool white)  
Lamps: 1 x XHP50 Cool white\_244.744lm@250mA\_P=1.42773W\_η=0.2499A



# LEDiL Oy C13508\_STRADA-SQ-T2\_(Luxeon-M) Eff.93.3% / LDC (Polar)

Luminaire: LEDiL Oy C13508\_STRADA-SQ-T2\_(Luxeon-M) Eff.93.3%

Lamps: 1 x Luxeon-M\_349.125lm@250mA\_CCT=4092K\_P=2.73041W\_I=249.9mA



cd/klm

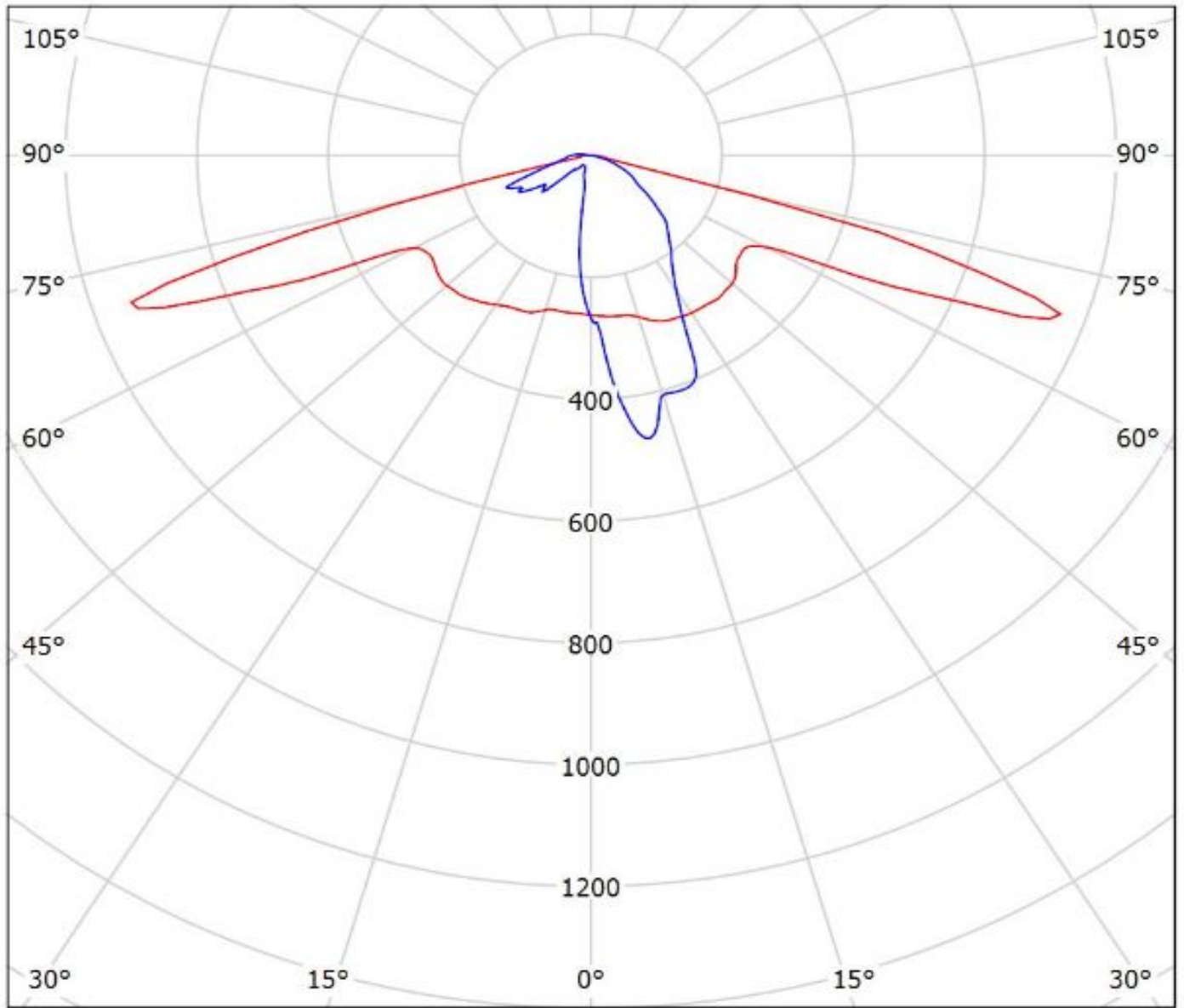
— C0 - C180

— C90 - C270

$\eta = 93\%$

Luminaire: Ledil C13508\_STRADA-SQ-T2\_(LUXEON\_MZ)

Lamps: 1 x LUXEON\_MZ\_402.108lm@250mA\_CCT=3831K\_P=2.8W\_I=0.25A



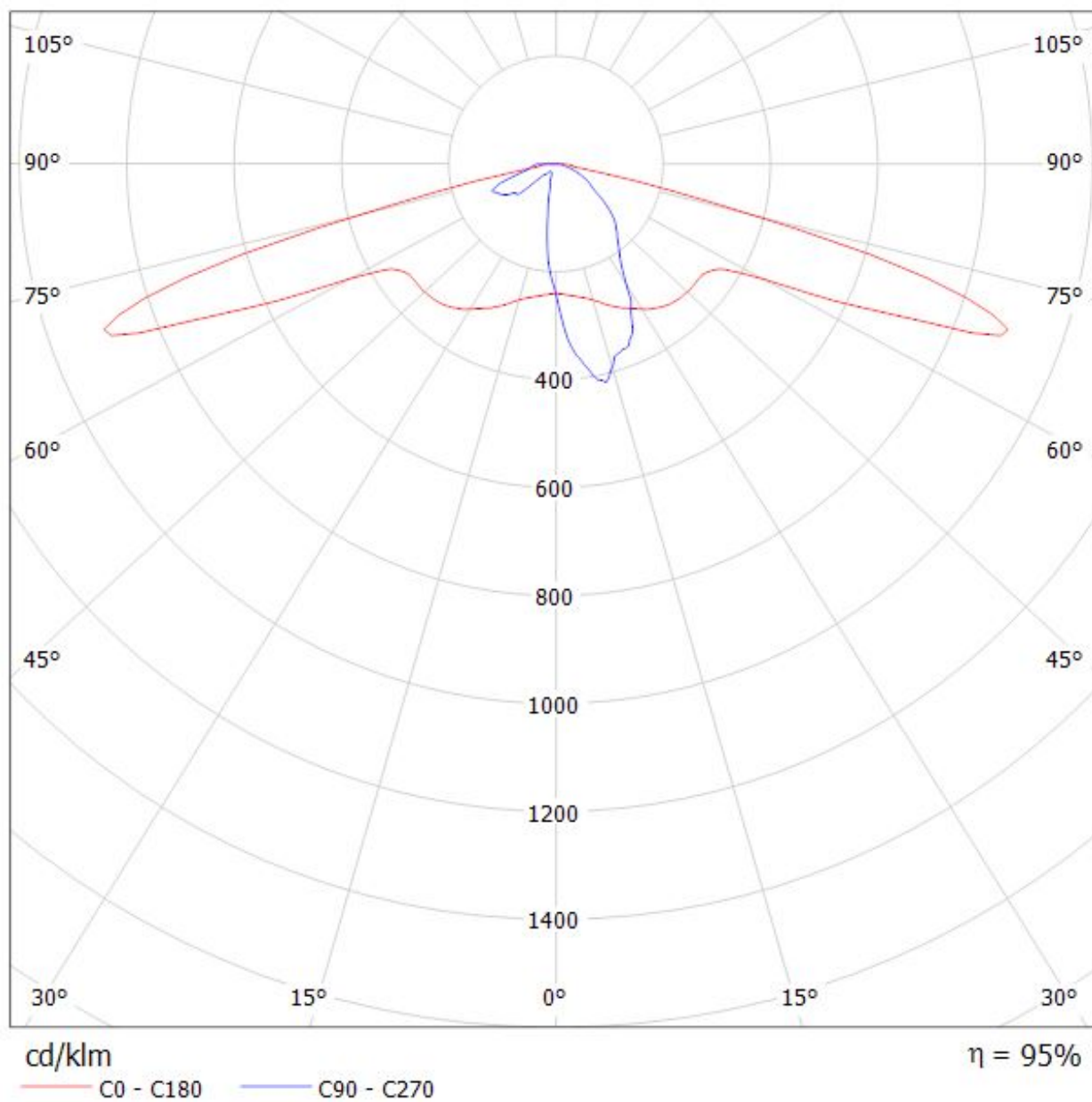
cd/klm

— C0 - C180    — C90 - C270

$\eta = 96\%$

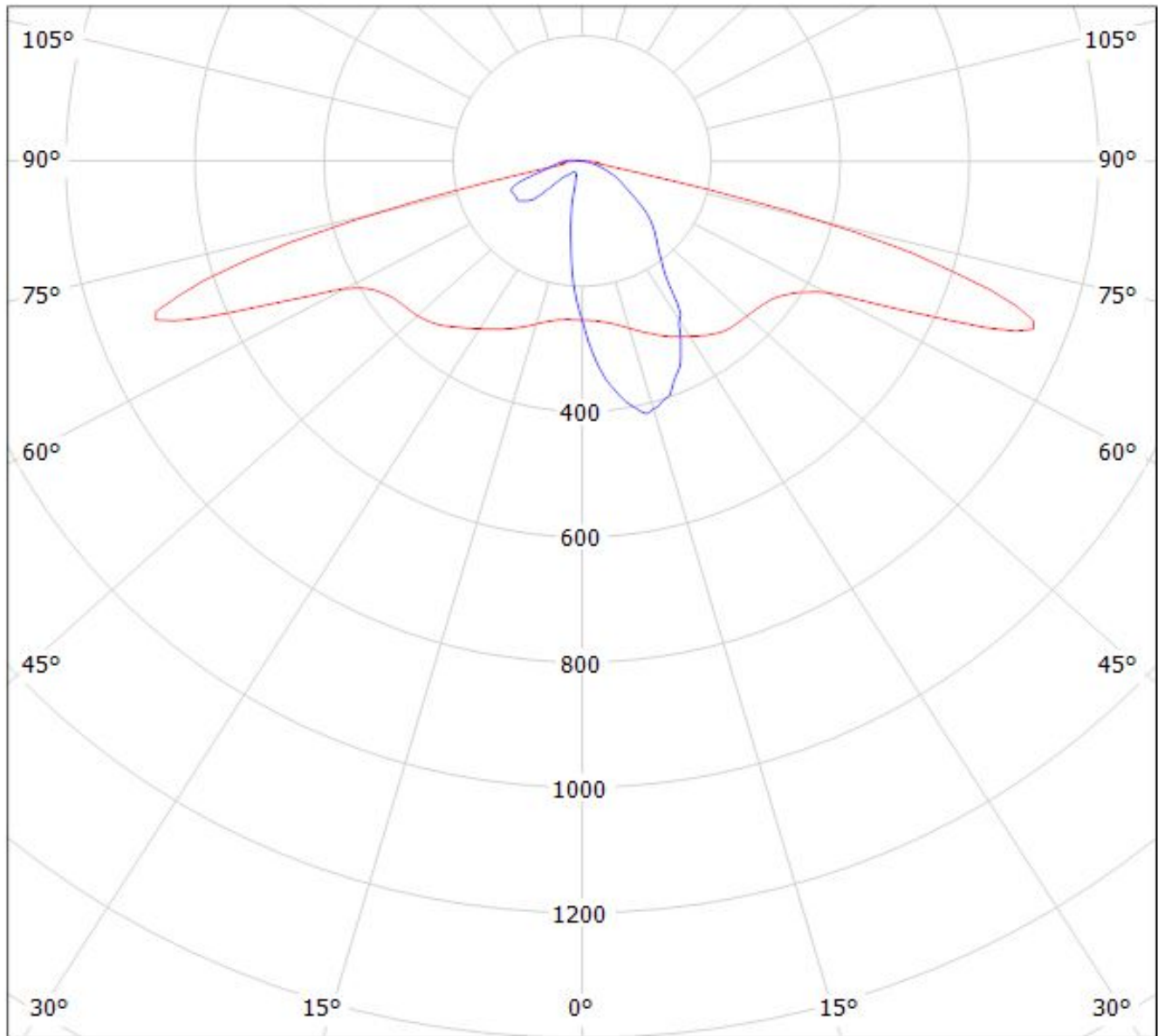
Luminaire: LEDiL Oy C13508\_STRADA-SQ-T2\_(NS9x383)

Lamps: 1 x Nichia\_NS9x383\_(NS9W383T\_SW50B13KRmm)\_107.563lm@250mA\_P=0.759096W\_I=249.9mA



Luminaire: LEDiL Oy C13508\_STRADA-SQ-T2\_(NFMx48xAR)

Lamps: 1 x Nichia\_NFMx48xAR\_(NFMW488AR)\_574.333lm@100mA\_P=4.0048W\_I=0.100A



cd/klm

— C0 - C180

— C90 - C270

$\eta = 95\%$



**NOTE: The typical divergence will be changed by different color, chip size and chip position tolerance. The typical total divergence is the full angle measured where the luminous intensity is half of the peak value.**