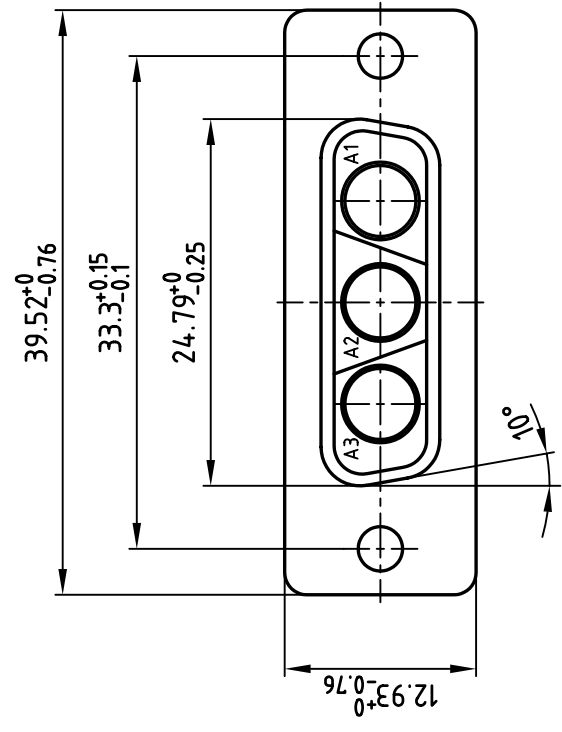
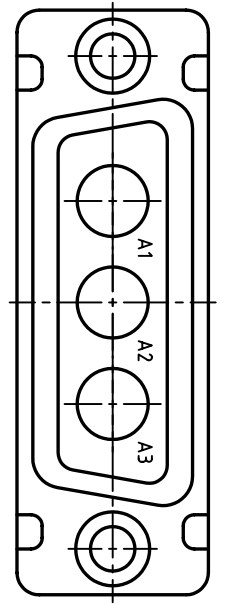
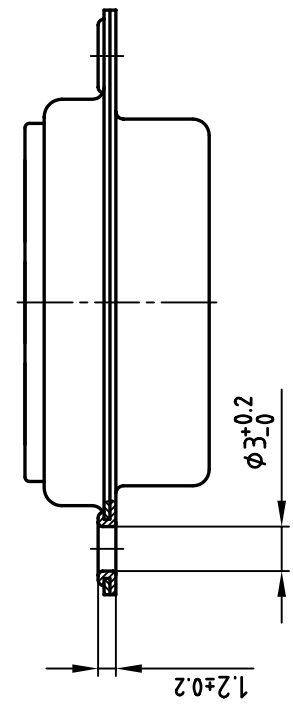
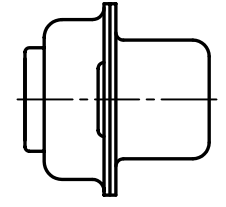
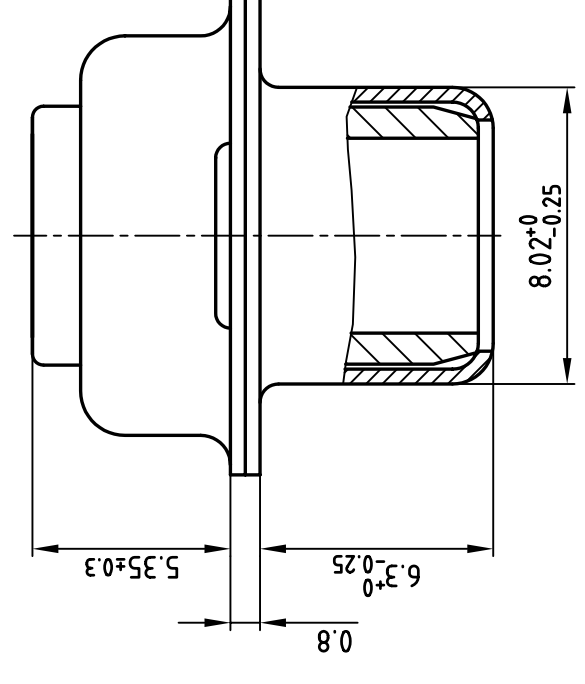


used for: D-SUB COMBINATION



5:1



Directive 2002/95/EC
"RoHS"
Compliant

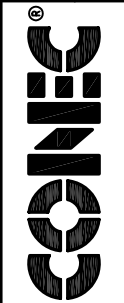
NOTES:

- 1. METALSHELLS: STEEL; min. 320µin TIN
- 2. INSULATORS: PBT GF UL 94 V-0; GREEN

THIS DRAWING MAY NOT BE COPIED OR REPRODUCED IN ANY WAY, AND MAY NOT BE PASSED ON TO A THIRD PARTY WITHOUT WRITTEN PERMISSION.
 OWNERSHIP AND COPYRIGHT OF CONEC GMBH DO NOT ALTER CAD DRAWING BY HAND

tolerance	name	date	name
2001	27.02.	Parei	
drawn	27.02.	E. Mickenbecker	
appd.			
norm			
d-old			

rev.	description	date	name
3			



scale:	2:1 (5:1)
material:	SEE NOTES
title:	D-SUB COMBINATION FEMALE 3W3CS
dwg no:	13K1A196A
part no:	303W3CSXX99A10X
	AutoCAD 2000
	DIN-A
	3
	sh: 1/1