

4

3

2

1


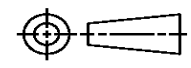
THIS DRAWING IS UNPUBLISHED. RELEASED FOR PUBLICATION
© COPYRIGHT ALL RIGHTS RESERVED.

LOC		DIST		REVISIONS			
P	LTR	DESCRIPTION		DATE	DWN	APVD	
	K1	ECR-16-009823		25JUL2016	GK	SD	

REPLACED BY OCEAN STYLE APPLICATOR PART NUMBER 2150108-1

FOR REPLACEMENT PARTS FOR APPLICATOR 466415-2
REFER TO ADDITIONAL PAGE(S). SPARE PARTS KIT (IF LISTED)
WILL REMAIN AVAILABLE.

THE REPLACEMENT OCEAN STYLE APPLICATOR HAS THE
SAME TERMINATOR/PRESS INTERFACE AS APPLICATOR
466415-2

THIS DRAWING IS A CONTROLLED DOCUMENT.		DWN	GOPALAKRISHNA HV		 TE Connectivity
DIMENSIONS:		CHK	GOPALAKRISHNA HV		
		TOLERANCES UNLESS OTHERWISE SPECIFIED:		NAME	
0 PLC ± 1 PLC ± 2 PLC ± 3 PLC ± 4 PLC ± ANGLES ±		APVD		MINIATURE QUICK CHANGE APPLICATOR END FEED .110 FASTON	
MATERIAL		FINISH		PRODUCT SPEC	
				APPLICATION SPEC	
				SIZE	RESTRICTED TO
				A3	C= 466415-2
				CAGE CODE	DRAWING NO
				WEIGHT	
				CUSTOMER DRAWING	SCALE
					SHEET 1 OF 2
					REV K1

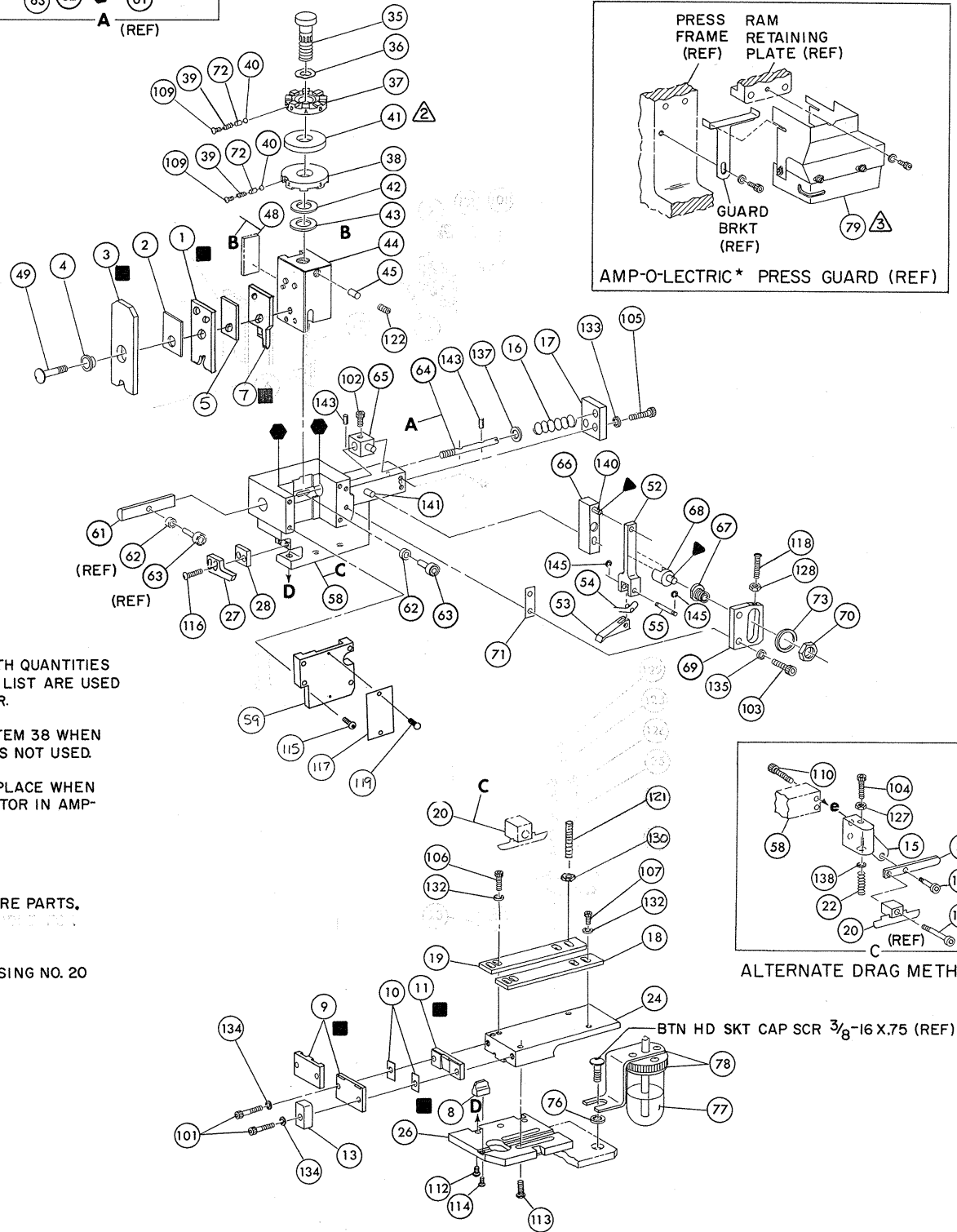
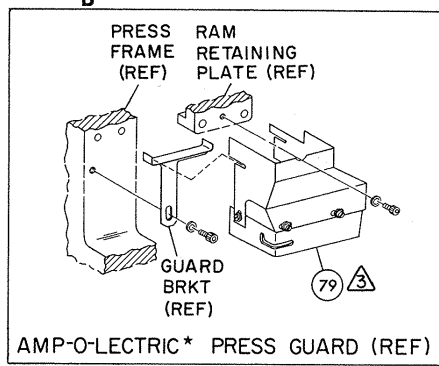
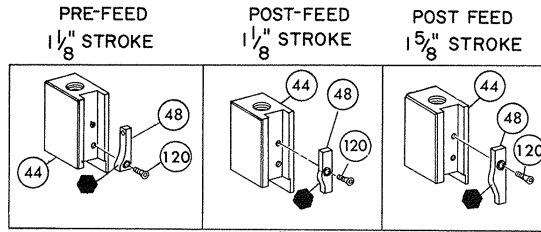
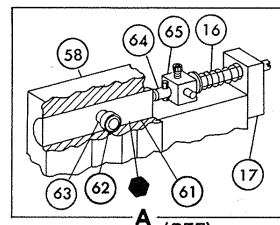
THIS IS A CONTROLLED DOCUMENT.

CUT

1-22

DIST 66

AMP 3076-2 REV 8-74

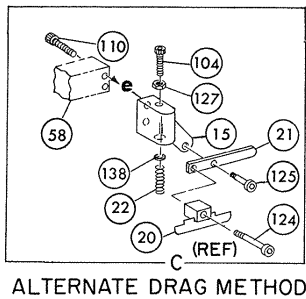


NOTES:

- 1. ONLY THE ITEMS WITH QUANTITIES SPECIFIED ON PARTS LIST ARE USED ON THIS APPLICATOR.
- ▲ USED IN PLACE OF ITEM 38 WHEN INSULATION CRIMP IS NOT USED.
- ▲ GUARD MUST BE IN PLACE WHEN OPERATING APPLICATOR IN AMP-O-LECTRIC PRESS.

KEY:

- RECOMMENDED SPARE PARTS.
- ▲ LUBRICATE DAILY USING NO. 20 MACHINE OIL.
- GREASE LIGHTLY.



QTY	PART NO	DESCRIPTION	ITEM NO	QTY	PART NO	DESCRIPTION	ITEM NO
2	21045-3	RING, RETAINING 'C' (.187 DIA) FEED PIN	145	1	454220-1	CAP, RAM	59
2	5-21028-1	PIN, SLOT SPG (.12 DIA X .50) FD ADJ ROD	144	1	453736-2	HOUSING	58
			143				57
			142				56
1	1-21030-7	PIN, DOWEL (.187 DIA X 1.50) HOUSING	141	1	240624-1	PIN, FEED FINGER	55
1	1-21030-1	PIN, DOWEL (.187 DIA X .50) LEVER	140	1	691499-1	SPRING, FEED FINGER	54
			139	1	690584-9	FINGER, FEED	53
1	22260-5	WASHER, FLAT (NO 6) DRAG SPRING	138	1	240634-1	LEVER, TERMINAL	52
1	21899-4	WASHER, FLAT (5/16 DIA) SCR ADJ	137				51
			136				50
2	21024-5	WASHER, LOCK (NO 10) FEED ADJ PLATE	135	1	690686-2	BOLT, CRIMPER	49
2	21024-5	WASHER, LOCK (NO 10) SHEAR PLATES	134	1	690501-3	CAM, POST-FEED 1/8 STROKE	48
2	21024-5	WASHER, LOCK (NO 10) FEED ROD GUIDE	133				47
4	21024-4	WASHER, LOCK (NO 8) STRIP GUIDE	132				46
1	21024-4	WASHER, LOCK (NO 8) SHEAR BLADE	131	1	690191-1	PLUG, NYLON	45
1	21018-6	NUT, HEX MACH (8-32) STRIP GUIDE	130	1	455674-6	RAM	44
1	21018-4	NUT, HEX MACH (4-40) DRAG	129	1	690125-1	WASHER, LAMINATED	43
1	21068-5	NUT, HEX MACH (6-32) FD ADJ PLATE	128	1	690124-1	WASHER, RAM	42
1	21018-7	NUT, HEX MACH (10-32) DRAG SPRING	127			SPACER, DISC	41
1	21022-2	NUT, HEX SELF-LKG (8-32) DRAG STUD	126	2	23241-6	BALL, STEEL	40
1	5-21004-7	SCR, SKT HD SHLD (250 DIA X .25) DRAG ARM	125	2	690170-1	SPRING, COMPRESSION	39
1	21004-5	SCR, SKT HD SHLD (250 DIA X 1.00) DRAG	124	1	690142-1	DISC, INSULATION	38
1	4-21078-8	SCR, SKT SET OVAL POINT (4-40 X .75) DRAG	123	1	9-690692-9	DISC, WIRE	37
1	21009-2	SCR, SKT SET (1/4-20 X 25) (LOC-WEL) RAM	122	1	22480-5	WASHER, SPRING	36
1	4-21006-6	SCR, SKT SET (8-32 X .75) STRIP GUIDE	121	1	690212-1	POST, RAM	35
1	1-21002-7	SCR, BTN HD SKT CAP (6-32 X .38) CAM	120				34
2	21017-2	SCR, DRIVE (#2 X .19) ID PLATE	119				33
1	3-21064-2	SCR, RD HD MACH (6-32 X 1.50) FEED ADJ	118		458980-	APPLICATOR, BASIC (SUB ASSY)	32
1	461264-1	PLATE, ID	117				31
2	221002-3	SCR, BTN HD SKT CAP (8-32 X .62) STRIPPER	116				30
4	2-21002-9	SCR, BTN HD SKT CAP (10-32 X .75) HSG CAP	115				29
1	22733-8	SCR, BTN HD SKT CAP (8-32 X .38) (LOC-WEL) ANVIL	114	1	2-690451-5	SPACER, STRIPPER	28
4	3-21002-3	SCR, BTN HD SKT CAP (1/4-20 X .50) STR GDE PL	113	1	240639-4	STRIPPER	27
3	2-22733-9	SCR, BTN HD SKT CAP (1/4-20 X .75) BASE PL	112	1	459717-1	PLATE, BASE	26
			111		22354-8	DRAG, STUD	25
2	2-21000-4	SCR, SKT HD CAP (6-32 X 1.00) DRAG ADAPTOR	110	1	455678-1	PLATE, STRIP GUIDE	24
2	23030-1	SCR, SKT HD CAP (6-32 X .25) (LOC-WEL) CP DISC	109			PLATE, STRIP HOLD	23
		SCR, SKT HD CAP (8-32 X) SHEAR BLADE	108	1	7-22282-5	SPRING, DRAG	22
2	2-21000-5	SCR, SKT HD CAP (8-32 X .25) STRIP GUIDE, FRONT	107	1	240636-1	LEVER, DRAG	21
2	2-21000-6	SCR, SKT HD CAP (8-32 X .38) STRIP GUIDE, REAR	106	1	1-240696-1	DRAG, STOCK	20
2	3-21000-7	SCR, SKT HD CAP (10-32 X .75) FD ROD GUIDE	105	1	2-458030-8	GUIDE, STRIP (REAR)	19
1	3-21000-9	SCR, SKT HD CAP (10-32 X 1.00) DRAG SPRING	104	1	454204-1	GUIDE, STRIP (FRONT)	18
2	3-21000-6	SCR, SKT HD CAP (10-32 X .62) FD ADJ PLATE	103	1	454178-1	GUIDE, FEED ROD	17
1	3-21000-4	SCR, SKT HD CAP (10-32 X .38) PIVOT BLK	102	1	4-22284-9	SPRING, FEED RETURN	16
2	3-21000-8	SCR, SKT HD CAP (10-32 X .88) SHEAR PLATE	101	1	454665-4	ADAPTER, DRAG	15
REF	455745-1	GUARD WINDOW	79		464524-1	SPACER, DRAG ADAPTER	14
	465184-9	LUBRICATOR ASSY	78			SPACER, HOLD DOWN	13
	455985-1	OIL, LUBRICATING	77			SPRING, HOLD DOWN	12
	454406-1	SPACER, LUB BRACKET	76	1	240644-1	PLATE, REAR SHEAR	11
			75			SPACER, SHEAR PLATE	10
			74	1	2-690482-4	PLATE, FRONT SHEAR	9
1	458109-1	WASHER, FLAT (SPECIAL)	73	1	694442-3	ANVIL	8
2	690603-1	SPRING, ASSIST	72	1	462374-1	BLADE, SLUG	7
1	690517-1	SPACER	71			HOLD DOWN, TERMINAL	6
1	22594-8	NUT, HEX	70	1	2-455888-3	SPACER, SHEAR BLADE	5
1	240628-1	PLATE, ADJ	69	1	238009-1	SPACER, TUBULAR	4
1	240626-1	SHAFT, PIVOT	68	1	4-456134-0	CRIMPER, INSULATION	3
1	240633-1	BUSHING	67	1	455888-1	SPACER, INSULATION	2
1	455680-1	LEVER, INTERMEDIATE	66	1	462373-1	CRIMPER, WIRE	1
1	240629-1	BLOCK, PIVOT	65				
1	240632-2	SCREW, ADJ	64				
1	240659-3	PIN, CAM ROLLER	63				
1	240658-1	CAM, ROLLER	62				
1	454398-1	ROD, FEED	60				

REMARKS	NO	REV
APPL USED ON MACHINE PART NO	MACH SERIAL NO	DISTRIBUTION
CUSTOMER NAME	APPL SERIAL NO	ORIGINAL
ADDRESS	PURCHASE ORDER	CUSTOMER COPY
CITY	ENG APP	FIELD ENG COPY

CRIMPING DATA				APPLICATOR WILL APPLY	
PAD LTR	CRIMP HEIGHT	WIRE SIZE	WIRE STRIP LENGTH		
A	.046	18	.173-.203		61481
B	.040	20	.173-.203		62336
C	.037	22	.173-.203		62840
D	NOT USED				63101
CRIMP SIZE TYPE FEED APPL INST					
WIRE	.062	F	.430	A1	8039
INSUL	1.00	F			
WIRE RANGE	18 TO 22	INSULATION RANGE	.060 TO .100	PRESS NO	565435-5
REMARKS: AMP-O-LECTRIC POST-FEED					

I.D. PLATE (REF): 461264-1

REV	DATE	DESCRIPTION
1	10-01	REV PER ECU R-1929
2	10-01	REV PER ECU R-2265
3	10-01	REV PER ECU R-2360
4	10-01	REV PER ECU R-2360
5	10-01	REV PER ECU R-2360
6	10-01	REV PER ECU R-2360
7	10-01	REV PER ECU R-2360
8	10-01	REV PER ECU R-2360
9	10-01	REV PER ECU R-2360
10	10-01	REV PER ECU R-2360

AMP INCORPORATED Harrisburg, Pa.

MINIATURE QUICK CHANGE APPLICATOR END FEED (.110 FASTON)