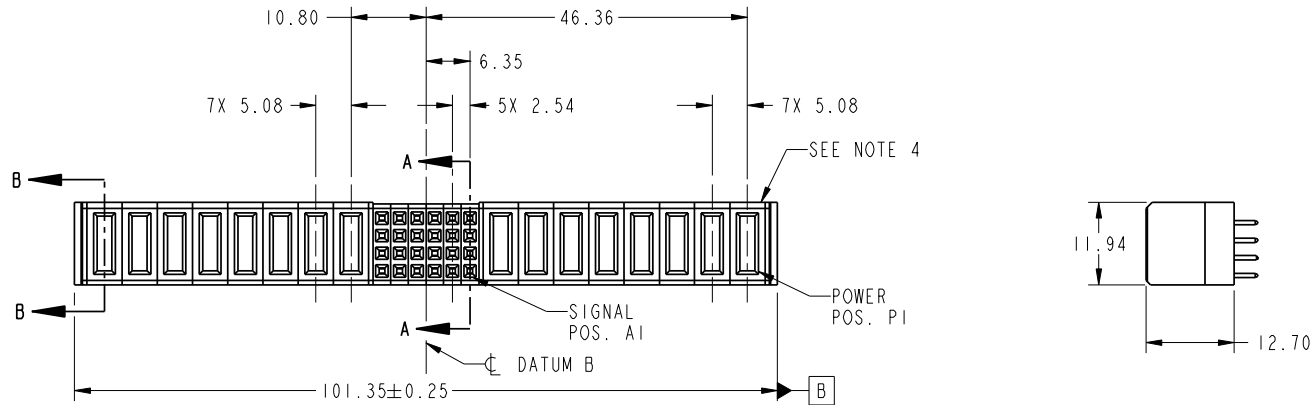


Tous droits strictement réservés. Reproduction ou communication o des liens interdite sous quelque forme que ce soit sans autorisation écrite du propriétaire. Propriete de c FCI. Droits de reproduction FCI.



All rights strictly reserved. Reproduction or issue to third parties in any form whatever is not permitted without written authority from the proprietor. Property of FCI. Copyright FCI.

PRODUCT NO. 51940-382-- NOTE: 3	ROWS D C B A	POWER								SIGNAL					POWER								
		P16	P15	P14	P13	P12	P11	P10	P9	6	5	4	3	2	1	P8	P7	P6	P5	P4	P3	P2	P1
		PA	PA	PA	PA	PA	PA	PA	PA	E	E	E	E	E	E	PA	PA	PA	PA	PA	PA	PA	PA



CODE	DIM "M" MATING LENGTH	CONTACT TYPE
E	[N/A]	SIGNAL
PA	[1.07]	POWER

mat'l code				SEE NOTES		tolerances unless otherwise specified		CUSTOMER		FCI	
lfr	ecn no.	dr	date	linear	0.X ±0.5	COPY		projection		title	
A	DG11-0031	XQ	01/29/11	angles	0.XX ±0.25	MM		8P + 24S + 8P		VERTICAL STB RECEP	
				dr	0.XXX ±0.1	scale		product family		PwrBlade	
				engr	0° ±2°	1:1		size		code	
				chr	XQ Wang 01/29/11			A		213	
				appd	Anson Liu 01/29/11			51940-382		sheet	
sheet index	revision sheet	A	A	A	PM Zheng 01/29/11			1 of 4		1 of 4	
		1	2	3	Joseph Hsiao 01/29/11			cage code		22526	

Pro/E

PDM: Rev:A

STATUS:Released

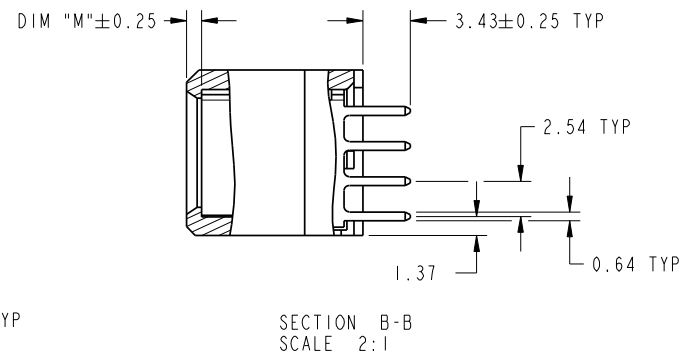
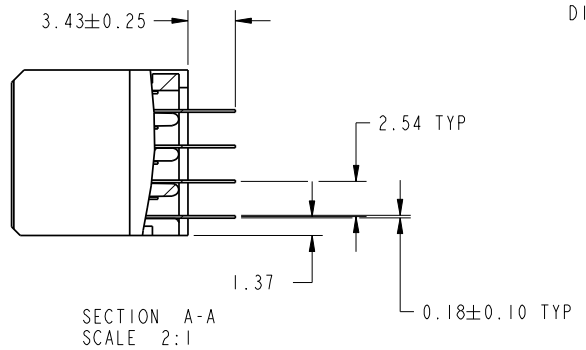
Printed: Feb 12, 2011

Tous droits strictement réservés. Reproduction ou communication o des liens interdite sous quelque forme que ce soit sans autorisation écrite du propriétaire. Propriete de c FCI. Droits de reproduction FCI.



All rights strictly reserved. Reproduction or issue to third parties in any form whatever is not permitted without written authority from the proprietor. Property of FCI. Copyright FCI.

PRODUCT NUMBER
51940-382..
NOTE: 3



mat'l code				tolerances unless otherwise specified		CUSTOMER		FCI	
lfr	ecn no.	dr	date	linear	0.X ±0.5	COPY		www.fciconnect.com	
A					0.XX ±0.25	projection	title		
				angles	0.XXX ±0.1		8P + 24S + 8P		
				dr	0° ±2°	MM	VERTICAL STB RECEP		
				engr	XQ Wang 01/29/11	scale	product family	PwrBlade	code
				chr	Anson Liu 01/29/11	1:1	size	dwg no	213
				appd	PM Zheng 01/29/11		A	51940-382	sheet
sheet index	revision sheet								2 of 4



product family
size
A

cage code 22526

Pro/E

PDM: Rev:A

STATUS:Released

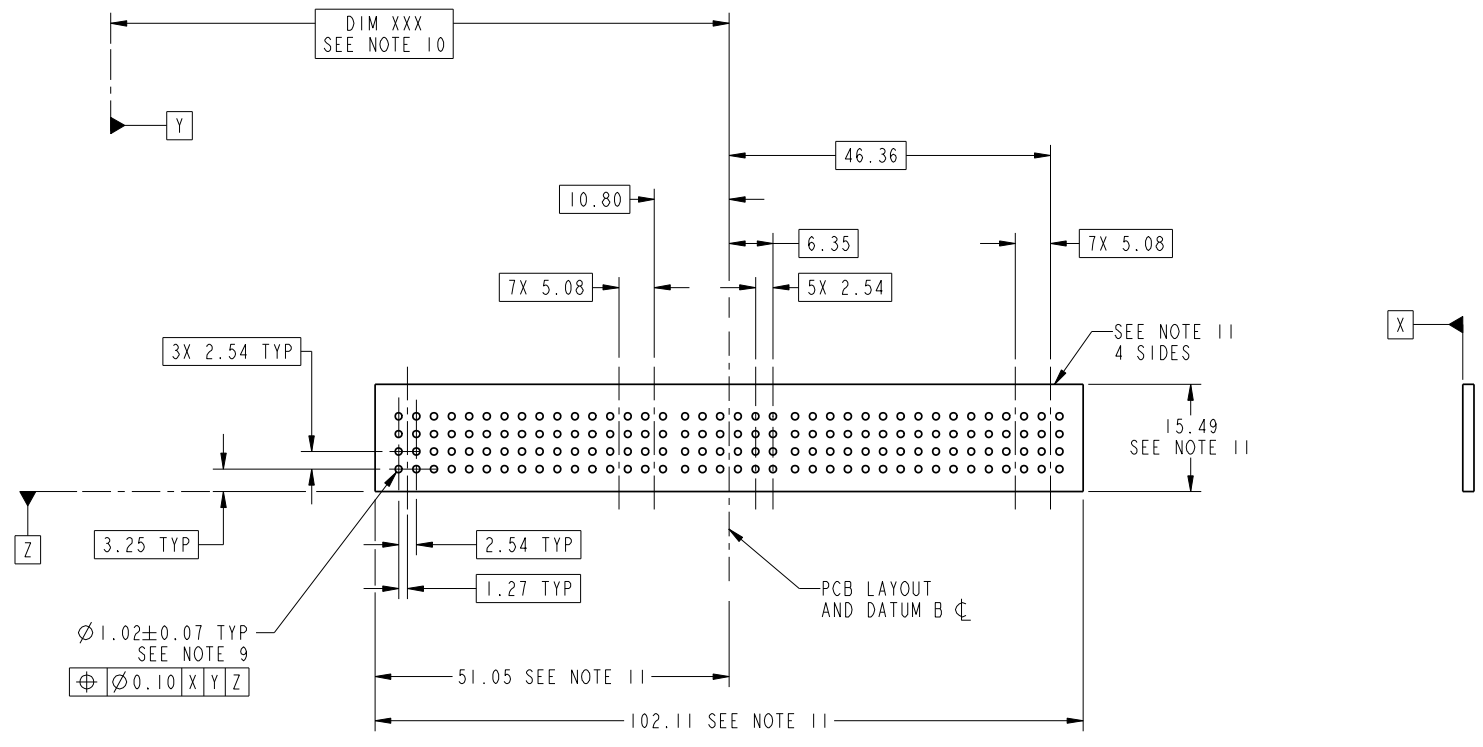
Printed: Feb 12, 2011

Tous droits strictement réservés. Reproduction ou communication o des liens interdite sous quelque forme que ce soit sans autorisation écrite du propriétaire. Propriete de c FCI. Droits de reproduction FCI.



All rights strictly reserved. Reproduction or issue to third parties in any form whatever is not permitted without written authority from the proprietor. Property of FCI. Copyright FCI.

PRODUCT NUMBER
51940-382..
NOTE: 3



RECOMMENDED PCB LAYOUT

mat'l code				tolerances unless otherwise specified		CUSTOMER		FCI	
lfr	ecn no.	dr	date	linear	0.X ±0.5	COPY		www.fciconnect.com	
A				linear	0.XX ±0.25	projection	title		
				angles	0.XXX ±0.1		8P + 24S + 8P		
				dr	0° ±2°		VERTICAL STB RECEP		
				engr	XQ Wang 01/29/11	MM	product family	PwrBlade	code
				chr	Anson Liu 01/29/11	scale	size	dwg no	213
				appd	PM Zheng 01/29/11	1:1	A	51940-382	sheet
sheet index	revision sheet								3 of 4



MM

A

Pro/E

cage code 22526

PDM: Rev:A

STATUS:Released

Printed: Feb 12, 2011

Tous droits strictement réservés. Reproduction ou communication o des liens interdite sous quelque forme que ce soit sans autorisation écrite du propriétaire. Propriete de c FCI. Droits de reproduction FCI.



All rights strictly reserved. Reproduction or issue to third parties in any form whatever is not permitted without written authority from the proprietor. Property of FCI. Copyright FCI.

PRODUCT NUMBER
51940-382..
NOTE: 3

NOTES:

1. DIMENSIONS AND TOLERANCES ARE IN ACCORDANCE WITH ASME Y14.5M, 1994 UNLESS OTHERWISE SPECIFIED.

CONNECTOR NOTES:

- ② HOUSING MATERIAL: UL 94 V-0 GLASS FILLED HIGH-TEMP THERMOPLASTIC
POWER CONTACT MATERIAL: COPPER ALLOY
SIGNAL PIN MATERIAL: COPPER ALLOY
 - 3. SEE ITEM 5 & 6 IN PRINT 10064183 FOR PLATING SPEC OF 51940-382 AND 51940-382LF RESPECTIVELY.
 - ④ MANUFACTURER'S NAME, DATE CODE AND OPTIONAL P/N TO APPEAR ON THIS SURFACE. THE P/N CAN BE OMITTED IF THERE IS NOT ENOUGH SPACE ON THIS SURFACE.
 - 5. PRODUCT SPECIFICATION GS-12-149.
APPLICATION SPECIFICATION BUS-20-067.
 - 6. PACKAGED IN TRAYS.
- PCB NOTES:
- 7. ALL HOLE DIAMETERS ARE FINISHED HOLE SIZE.
 - ⑧ MOUNTING HOLES, WHERE APPLICABLE, ARE UNPLATED.
 - ⑨ $\varnothing 1.151 \pm 0.025$ DRILLED HOLES PLATED WITH 0.008 MIN SnPb OR Sn OVER 0.03 TO 0.08 Cu PLATING TO ACHIEVE $\varnothing 1.02 \pm 0.07$ HOLE.
 - ⑩ "DIM XXX" TO BE DETERMINED BY THE CUSTOMER.
 - ⑪ CONNECTOR KEEP-OUT ZONE.
 - 12. THE VOID CORING IN BETWEEN POWER MODULES, SIGNAL MODULES AND END MODULES ARE OPTIONAL AND THE SHAPE MAY BE DIFFERENT FOR OPTIMIZE THE MOLDING PROCESS. THE VOID CORING WILL NOT EFFECT TO PRODUCT FUNCTION.

mat'l code				tolerances unless otherwise specified		CUSTOMER		FCI	
lfr	ecn no.	dr	date	linear	angles	projection	title	product family	code
A				$0.X \pm 0.5$	$0^\circ \pm 2^\circ$		8P + 24S + 8P VERTICAL STB RECEPT	PwrBlade	213
				$0.XX \pm 0.25$				size	sheet
				$0.XXX \pm 0.1$		scale		51940-382	4 of 4
				dr	engr	chr	appd		
				XQ Wang 01/29/11	Anson Liu 01/29/11	PM Zheng 01/29/11	Joseph Hsia 01/29/11		
sheet index	revision sheet								

Pro/E

cage code 22526

PDM: Rev:A

STATUS: Released

Printed: Feb 12, 2011