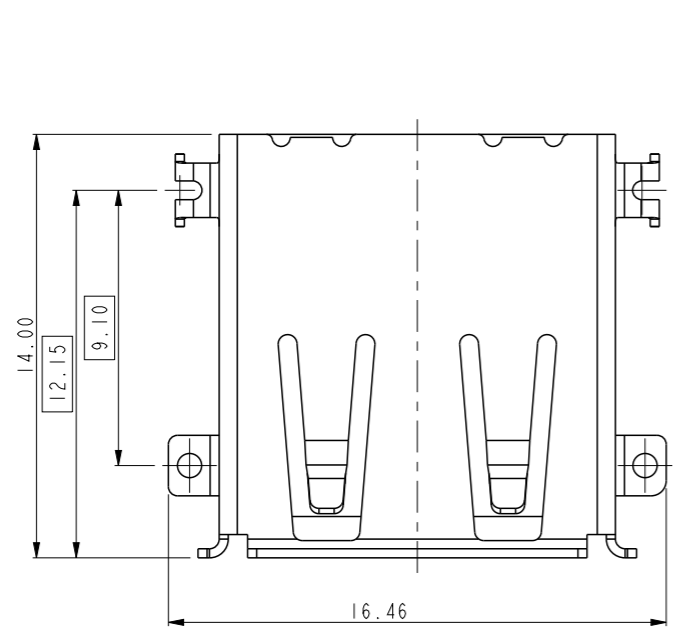


FCI CONFIDENTIAL

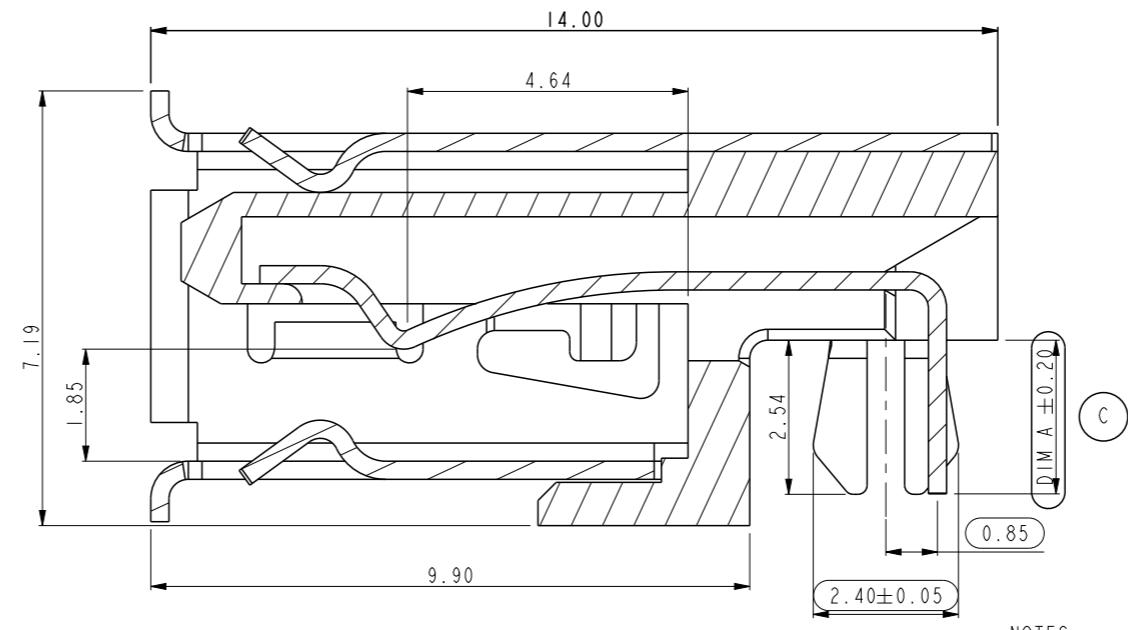


This document is the property of and embodies CONFIDENTIAL and PROPRIETARY information of FCI. No part of the information shown on this document may be used in any way or disclosed to others without the written consent of FCI. Copyright FCI.

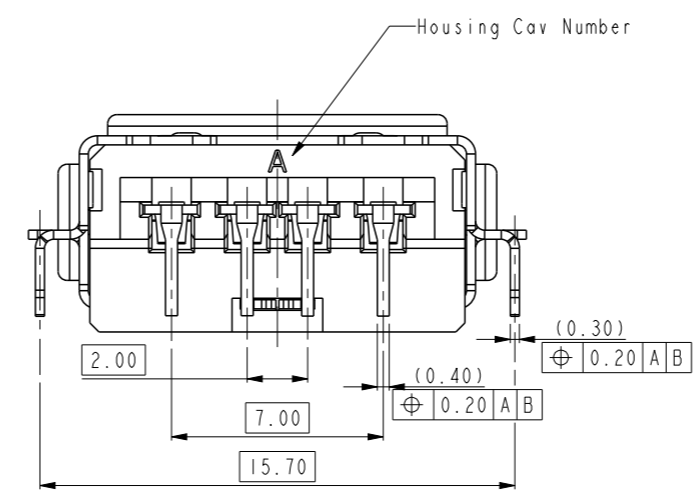
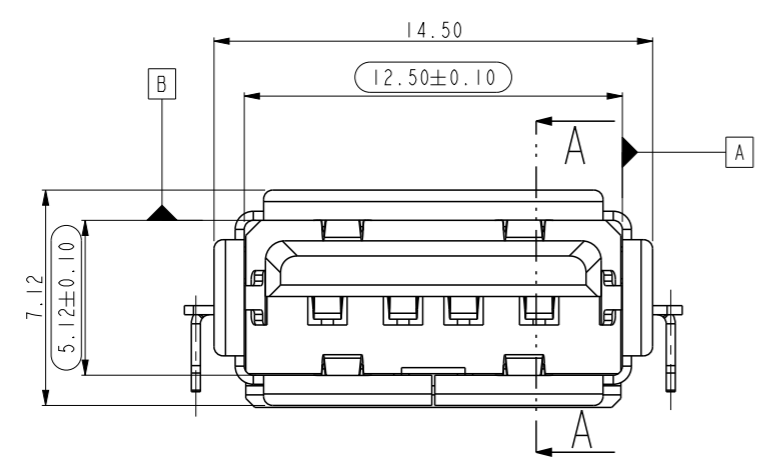
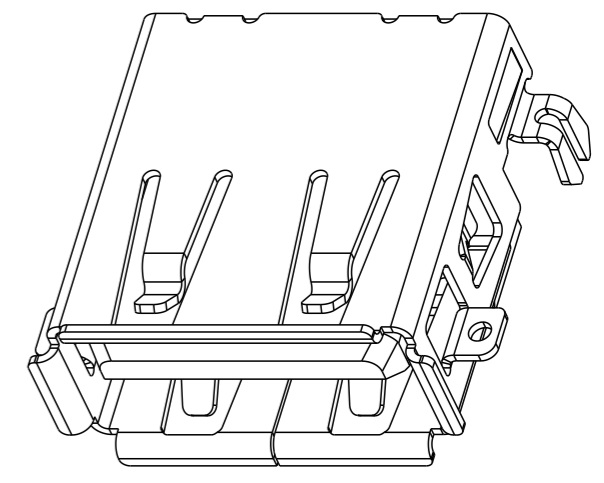
PART NUMBER	HOUSING P/N	TERMINAL P/N	SHELL P/N
10130976-10XBLF	10126516-001	87519-148LF	10126517-001LF
10130976-20XBLF	10126516-001	87519-168LF	10126517-001LF



SCALE 4.000



SECTION A-A
SCALE 8.000



NOTES:

- MATERIAL:
 - HOUSING: HIGH TEMPERATURE THERMOPLASTIC, UL94V-0,
 - TERMINAL: COPPER ALLOY.
 - SHELL: COPPER ALLOY.
- FINISH:
 - TERMINAL:
 - PLATING AU ON CONTACT AREA.;(SEE NUMBER DEFINITION)
 - 100 μ " MATTE TIN ON SOLDER TAIL.
 - UNDER PLATING: 50 μ " Ni MIN. OVER ALL.
 - SHELL:
 - MATTE TIN OVER 50 μ " Ni OVER ALL.
 - 100 μ " MATTE TIN MIN ON SOLDER TAIL OVER 50 μ " Ni.
- THIS PRODUCT WILL WITHSTAND EXPOSURE TO 260°C PEAK TEMPERATURE FOR 10 SECONDS IN A CONVECTION, INFRA-RED OR VAPOR PHASE REFLOW OVEN;
- PACKING STANDARD GS-14-920, WILL BE APPLIED FOR LEAD FREE P/N'S.
- FOR LEAD FREE P/N, THE PRODUCT MEET EUROPEAN UNION DIRECTIVES AND OTHER COUNTRY REGULATION AS DESCRIBED IN GS-22-008.
- THE PRODUCT CAN BE USED FOR PIP PROCESS.
- PACKAGE SPEC.: GS-14-393
- PRODUCT SPEC.: GS-12-095
- CMK DIMENSION: $\text{\textcircled{C}}$
- PART NUMBER DEFINITION:
 - 10130976 - X X X X LF

- LEAD FREE
- PACKING TYPE
B: TUBE
- DIM A
1: DIM A=2.54 FOR PCB THICKNESS:1.6mm
2: DIM A=2.00 FOR PCB THICKNESS:1.2mm
- COLOR OF HOUSING
0:BLACK
1:YELLOW
- PLATING CODE
1: 30 μ " GXT ON CONTACT AREA
2: 30 μ " Au ON CONTACT AREA
3: 15 μ " GXT ON CONTACT AREA

TOLERANCES UNLESS OTHERWISE SPECIFIED		tolerance std	material -	dr Li-Qing Lei	2014/08/05	projection	mm	size A3	scale 4.000
linear	x.	±0.5	ISO 406	mat code -	eng Li-Qing Lei	2014/08/06		ecn no -	rel level Released
	0.X	±0.3	ISO 1101	heattreat -	chr -	2014/08/06			
	0.XX	±0.13	surface ✓	plating/finish -	appr Rick Bian	2014/08/06	product family -	dwg no 10130976	rev A
	0.XXX	±0.05		spec ref -	model name 10126196		title USB 2.0 A TYPE RECEPTACLE OFFSET TYPE		
0.XXXX	±0.013	ISO 1302	model revision A	www.fci.com	cat. no. -	Product - Inspection Drw	sheet 1 of 1		
angular	0°	±2°							