

NOTES:

1.0 MATERIAL AND FINISH:

- 1.1 HOUSING AND COUPLING NUT: PASSIVATED STAINLESS STEEL
- 1.2 CENTER CONTACT: GOLD PLATED BERYLLIUM COPPER
- 1.3 DIELECTRIC: PTFE (TEFLON)

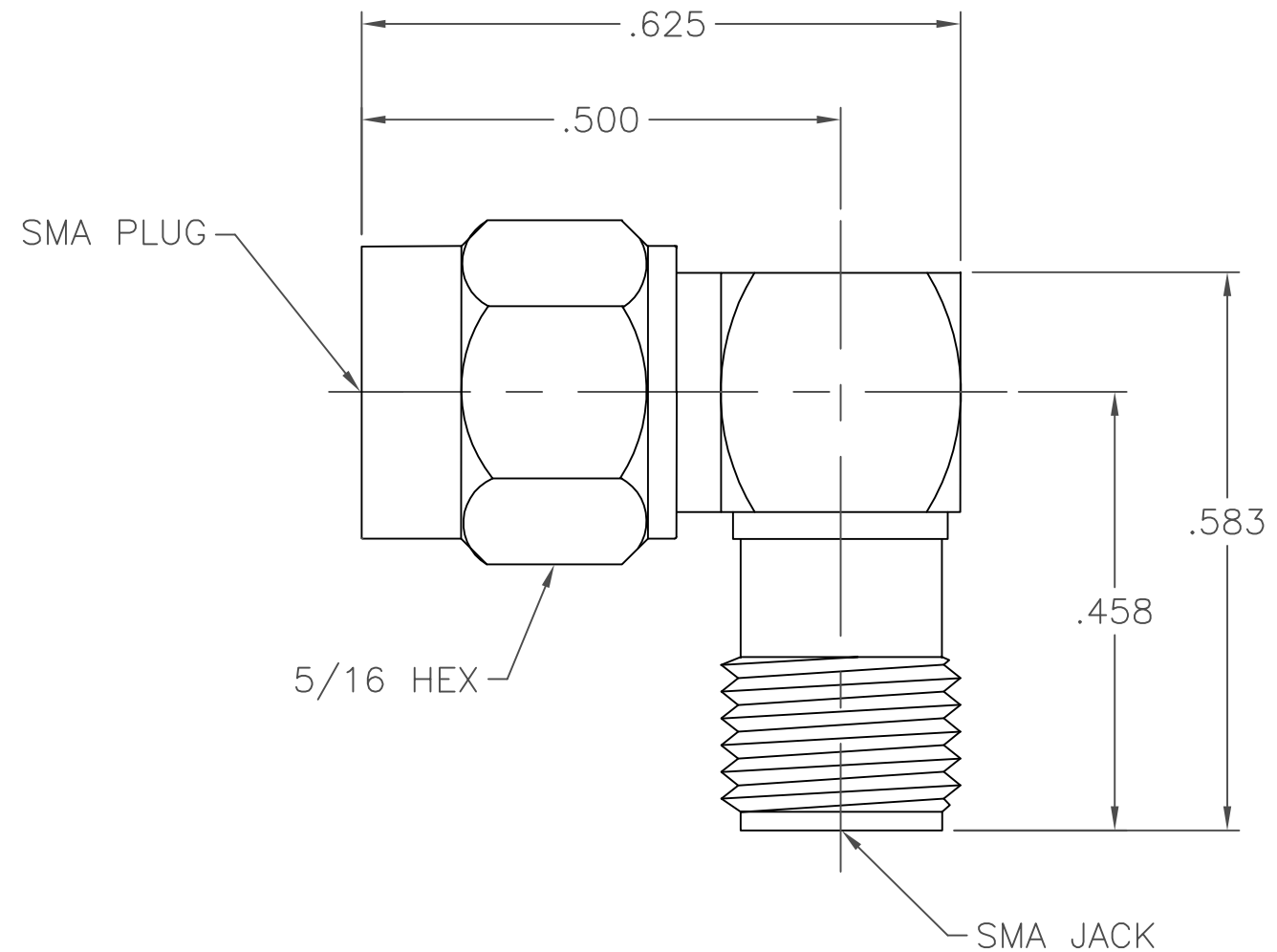
2.0 MECHANICAL:

- 2.1 INTERFACE PER MIL-STD-348 IN ACCORDANCE WITH MIL-A-55339.
- 2.2 CENTER CONTACT CAPTURED IN ACCORDANCE WITH MIL-A-55339.

3.0 ELECTRICAL:

- 3.1 FREQUENCY: DC - 18 GHz
- 3.2 VSWR: 1.05+.010f(GHz)

ALL OTHER MECHANICAL, ELECTRICAL, AND ENVIRONMENTAL CHARACTERISTICS ARE IN ACCORDANCE WITH MIL-A-55339/2.

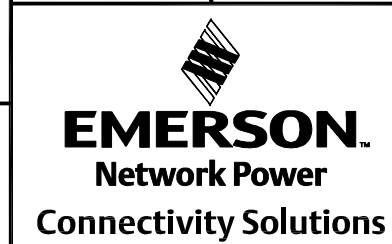


| REV. | DESCRIPTION      | DATE    |
|------|------------------|---------|
| -    | RELEASED         | 3/16/93 |
| -1   | ADDED TITLEBLOCK | 3/17/05 |
| C    | ECO 23307        | 2/22/11 |
| D    | ECO 23736        | 8/4/11  |
| E    | ECO 24786        | 5/24/13 |

NOTICE: The information contained in this drawing is proprietary and must not be used without the permission of Emerson Network Power.

UNLESS OTHERWISE NOTED DIMENSIONS ARE IN INCHES AND TOLERANCES ARE:  
 3 PLACE DECIMALS ±.005  
 2 PLACE DECIMALS ±.02  
 FRACTIONS ±1/64  
 PARALLELITY: T.I.R. \_\_\_\_\_  
 FLATNESS: T.I.R. \_\_\_\_\_  
 CONCENTRICITY: T.I.R. \_\_\_\_\_  
 ANGLES AND PERPENDICULARITY: ±1'

CAGE CODE  
**34078** *MIDWEST MICROWAVE*



TITLE  
ADAPTER SMA RIGHT ANGLE  
PLUG TO SMA JACK  
OUTLINE DRAWING

DRAWN/DATE  
C. WALLACE  
8/16/13  
 ENG./DATE  
P. KLYVE  
5/24/13  
 CHECKED/DATE  
P. KLYVE  
8/19/13  
 APPROVED/DATE  
P. KLYVE  
8/19/13

DRAWING NUMBER  
ADT-8000-MF-SMA-02-01  
 REV. E  
 SCALE: N/A  
 SHEET 1 of 1