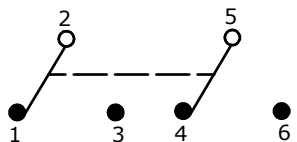


ISOMETRIC

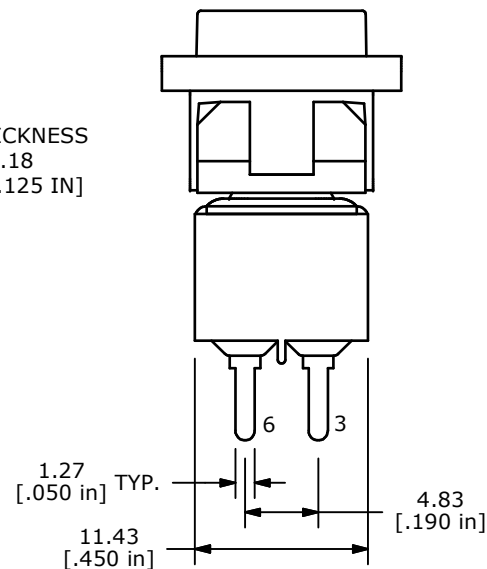
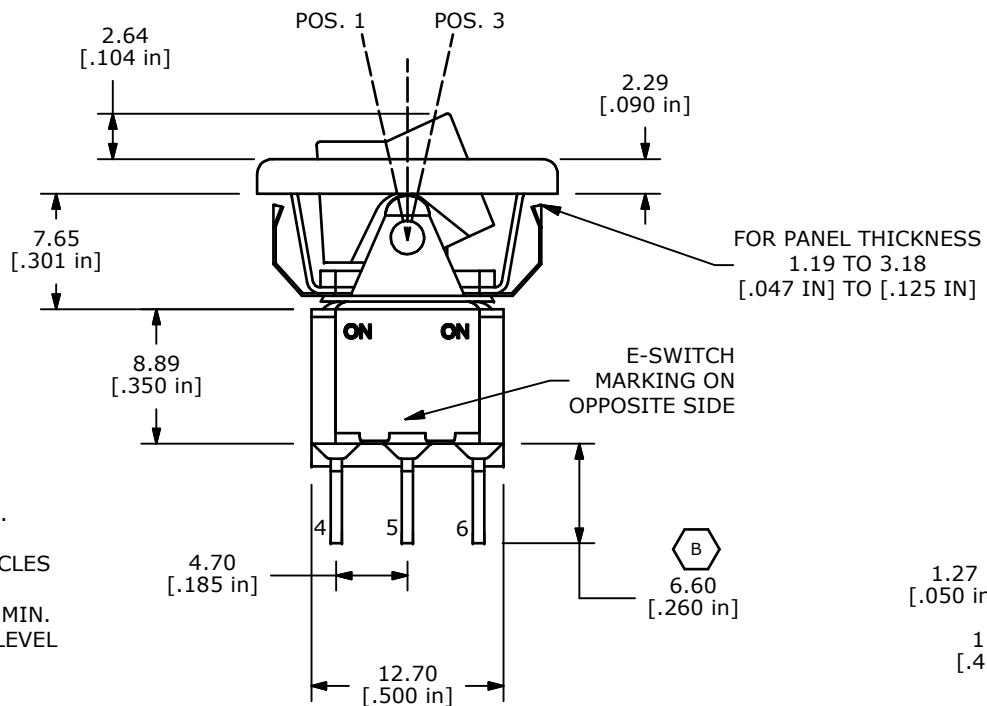
▲ SWITCH FUNCTION		
POS. 1	POS. 2	POS. 3
ON	NONE	ON
2-3, 5-6	OPEN	2-1, 5-4



CIRCUIT: DPDT

NOTE:

1. ALL DIMENSIONS IN MM [INCH].
2. GENERAL TOLERANCE: X.X=±0.4
X.XX=±0.25
3. TERMINAL NUMBERS FOR REF ONLY.
- ▲ 4. PLATING MATERIAL: GOLD
5. RATING: 0.4VOLT-AMPS(VA) MAX. @20V MAX.
(AC OR DC)
6. ELECTRIC LIFE: 40,000 MAKE-AND-BREAK CYCLES
AT FULL LOAD
7. INSULATION RESISTANCE: 1,000 MEGA-OHM MIN.
8. DIELECTRIC STRENGTH: 1,000 V RMS @SEA LEVEL
9. OPERATING TEMP.: -30°C to 85°C
10. 2002/95/EC (ROHS) COMPLIANT.
11. ▲ DENOTES CRITICAL PARAMETER.



B	18604	REVISE TERMINAL LENGTH DIMENSION	7/30/09	BLR
A	18248	RELEASED FOR PRODUCTION	10/6/08	BLR
REV	PCR NO	DESCRIPTION	DATE	BY

TITLE 300DP1R6BLKM2REBLK				
SCALE 2:1	DATE 7/30/2009	DR BLR	DWG T324074	REV B

THE INFORMATION CONTAINED IN THIS DOCUMENT IS PROPRIETARY TO E-SWITCH AND IS NOT TO BE COPIED OR TRANSFERRED