

NOTES:

1. RoHS COMPLIANT
2. SUITABLE FOR REFLOW SOLDERING (SOLDER BATH TEMPERATURE 260°C FOR 5 SEC AND SOLDER PREHEAT 100°C FOR 30 SEC.)
3. METALSHELLS: STEEL; min. 315µm TIN over 40-80µm NICKEL
4. INSULATORS: HIGH TEMPERATURE PLASTIC UL 94 V-0, BLACK
5. CONTACTS: COPPER ALLOY; PLATING (SEE PART.):
 - PLEASE ADD A for GOLD FLASH over NICKEL (PREFERRED TYPE)
 - PLEASE ADD B for 20µm HARD GOLD over min. 50µm NICKEL
 - PLEASE ADD C for 30µm HARD GOLD over min. 50µm NICKEL
6. MOUNTING BRACKET: HIGH TEMPERATURE PLASTIC UL 94 V-0; BLACK
7. THREADED INSERTS: COPPER ALLOY; min. 200µm TIN over 80µm NICKEL
8. GROUNDING BRACKETS: COPPER ALLOY; TIN PLATED
9. CAPACITANCE: 830pF±20%
10. DIELECTRIC WITHSTANDING VOLTAGE: 424 VDC
11. P.B.C. HOLE DRILLINGS ON SHEET 2
12. MAXIMUM TORQUE VALUE FOR THREAD: 6 in.LB
13. CONNECTOR IS PART MARKED: 242□11190X CONEC ABC

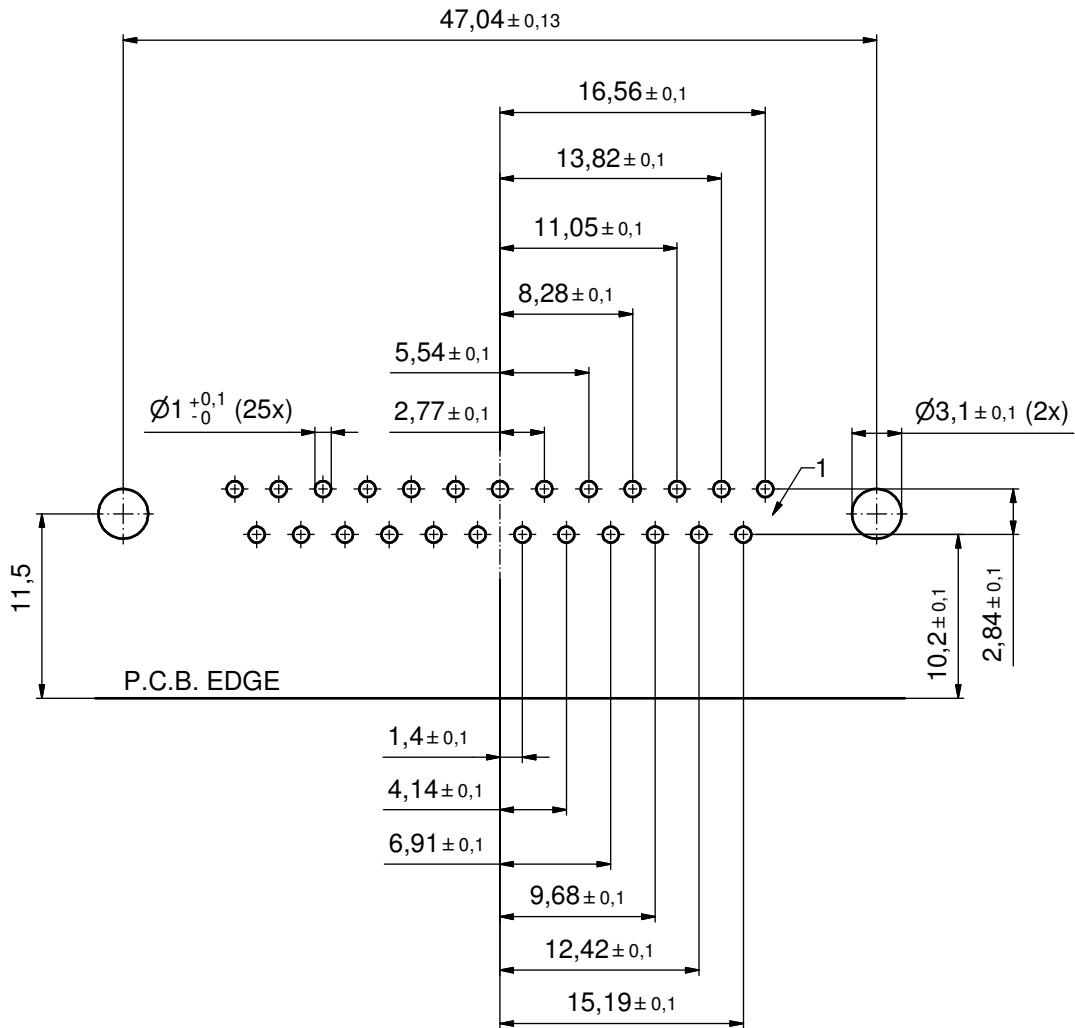
Directive 2002/95/EC RoHS compliant

THIS DRAWING MAY NOT BE COPIED OR REPRODUCED IN ANY WAY, AND MAY NOT BE PASSED ON TO A THIRD PARTY WITHOUT WRITTEN PERMISSION. OWNERSHIP AND COPYRIGHT OF CONEC GmbH DO NOT ALTER CAD DRAWING BY HAND	tolerance		dim. in mm	scale: 2:1 (5:1)		
				material: SEE NOTES		
	drawn	04.02.13	Schwenkler	title: D-SUB FILTER FEMALE 90° 25pos. SOLDER PIN ANGLED 0.370inch with threaded insert, mounting bracket, grounding bracket		
	appd.	04.02.13	Lehmenkühler			
	norm					
d-old	24K1A951		dwg no:		DIN-A3	
5 x b	A4636	04.02.2013	K.H.	24K1A1426 (b)		
a	Original			sh: 1/2		
rev.	description	date	name	part no: (b) 242□11190X (see note 5)		



P.C.B. HOLE DRILLINGS

(P.C.B. TOP SIDE)



THIS DRAWING MAY NOT BE COPIED OR REPRODUCED IN ANY WAY, AND MAY NOT BE PASSED ON TO A THIRD PARTY WITHOUT WRITTEN PERMISSION. OWNERSHIP AND COPYRIGHT OF CONEC GmbH DO NOT ALTER CAD DRAWING BY HAND				tolerance		scale: 3:1
				dim. in mm		material: SEE SHEET 1
	drawn	04.02.13	Schwenkler	title:		
	appd.	04.02.13	Lehmenkühler	P.C.B. HOLE DRILLINGS		
	norm			D-SUB FILTER FEMALE 90°, 25pos. 0.370inch with threaded insert, mounting brackct, grounding clip		
	d-old	24K1A951		dwg no:		
	a	Original			24K1A1426	
rev.	description	date	name	part no: SEE SHEET 1		
			CONEC [®]		DIN-A3	
					sh: 2/2	