

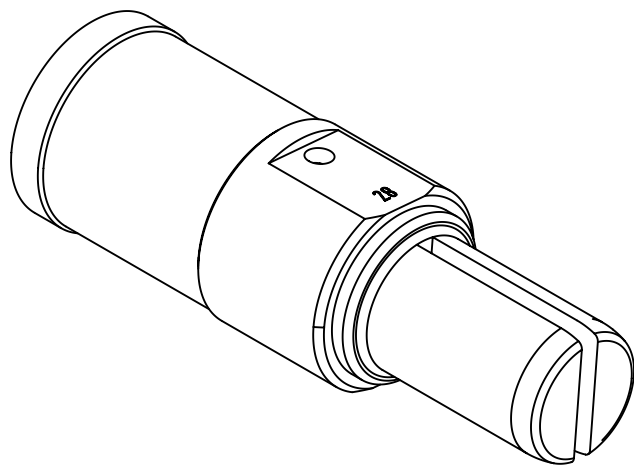
assembly notes see catalog

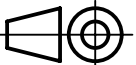
crimp zone acc. to DIN EN 46235

indicator 28

for stranded fine wire acc. to VDE 0295 class 5 / IEC 60228 class 5

wire gauge: 240mm²



	All rights reserved Department EL PD - DE	All Dimensions in mm Original Size DIN A4		Scale 1:1	Free size tol.		Ref.	
		HARTING Electric GmbH & Co. KG D-32339 Espelkamp	Created by FINKEV	Inspected by MOOR	Standardisation SCHMIDTM	Date 2013-05-16	State Final Release	Doc-Key / ECM-Nr. 100172500/UGD/006/E 500000061852
Title Han TC650 crimp contact 240mm ² M							Rev. E	Page 1/1
		Type TB	Number 09 11 000 6167					