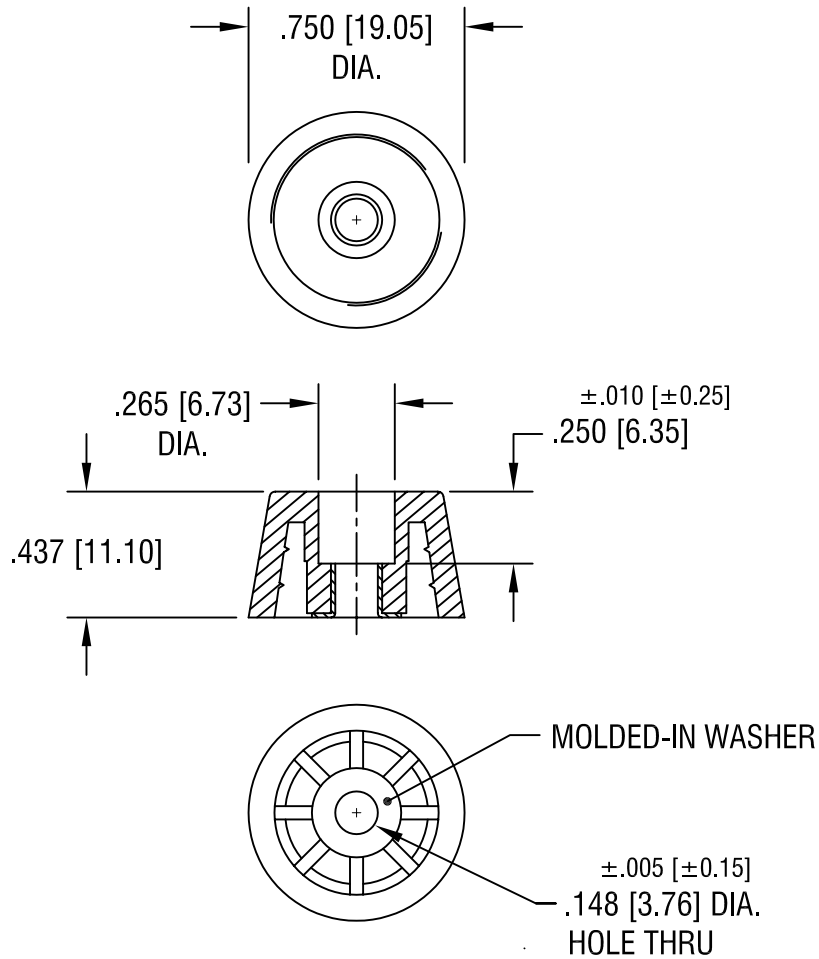


THIS DOCUMENT IS THE PROPERTY OF  
KEYSTONE ELECTRONICS CORP. AND  
SHALL NOT BE REPRODUCED, DISTRIBUTED  
OR USED AS A BASIS FOR MANUFACTURE  
WITHOUT PRIOR WRITTEN PERMISSION  
FROM KEYSTONE ELECTRONICS CORP.



NOTES:

- 1. BODY: MAT'L - THERMOPLASTIC RUBBER, BLACK  
WASHER: MAT'L - STEEL, ZINC PLATE

<b>KEYSTONE ELECTRONICS CORP.</b>			
ASTORIA, N.Y. 11105-2017			
PART NAME		RECESSED BUMPER	
MATERIAL		AS NOTED	
FINISH		DRN BY	DATE
AS NOTED		BOONE	11.1.06
		APP'D	SCALE
		LN	1.5X
TOLERANCES	INCH [MM]	CODE	DWG NO.
DECIMAL	±.020 [±0.50]	C/M	<b>728</b>
ANGULAR	± 1°		
UNLESS OTHERWISE SPECIFIED			

5.7.07	CHANGE AS PER ECN 07-021	A	
DATE	DESCRIPTION	REV.	