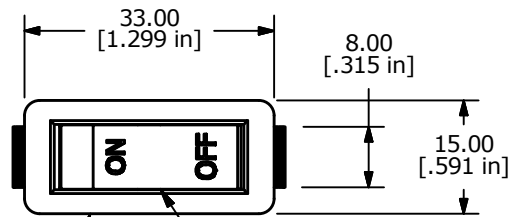


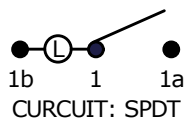
RECOMMENDED PANEL MOUNTING

PANEL THICKNESS	X ± 0.05
0.75-1.25	29.6-29.7
1.25-2.00	30.1-30.2
2.00-3.00	30.45-30.55



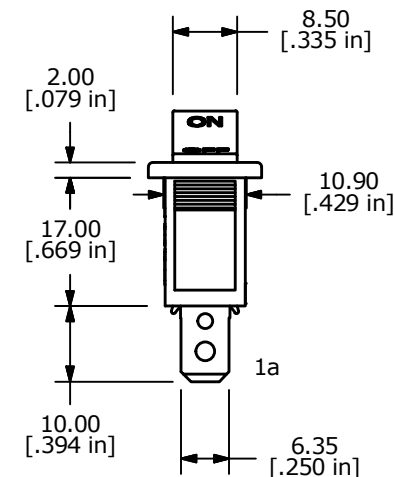
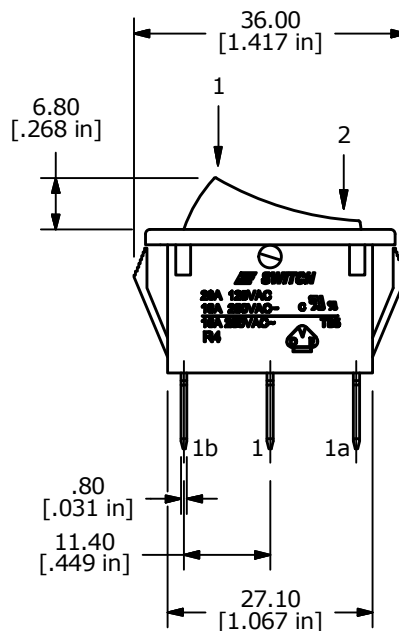
▲ HOUSING COLOR: BLACK ▲ ROCKER COLOR: RED ILLUMINATED

SWITCH FUNCTION	
POS. 1	POS. 2
ON	OFF
1-1a	OPEN



NOTES:

1. ALL DIMENSIONS IN MM [INCH]
2. GENERAL TOLERANCE: X.X ± 0.4
X.XX ± 0.25
3. TERM. NOS. FOR REF. ONLY
- ▲ 4. RATING: 20A 125VAC, 16A 250VAC UL APPROVED
16A 250VAC VDE APPROVED
5. ELECTRICAL LIFE: OVER 10,000 CYCLES
6. MECHANICAL LIFE: OVER 30,000 CYCLES
7. CONTACT RESISTANCE: <20 mΩ (INITIAL)
8. DIELECTRIC STRENGTH: >1500V 1 min
9. INSULATION RESISTANCE: >1,000 mΩ @ 500V DC
- ▲ 10. LAMP VOLTAGE: 12VDC INCANDESCENT
11. OPERATING TEMPERATURE: TERMINAL SIDE -20°C to 85°C
ROCKER SIDE -20°C to 55°C
12. ▲ DENOTES CRITICAL PARAMETER
13. 2002/95/EC (ROHS) COMPLIANT



C	22122	CORRECT "ON" "OFF" POSITIONS	1/13/16	MW
B	19898	UPDATE DRAWING	04/29/11	BMA
A	17540	RELEASED FOR PRODUCTION	08/09/07	BA
REV	PCR NO	DESCRIPTION	DATE	BY

E-SWITCH®

TITLE R4JBLKRILIF3

SCALE 1:1	DATE 8/9/2007	DR BF	DWG M041006	REV C
-----------	---------------	-------	-------------	-------