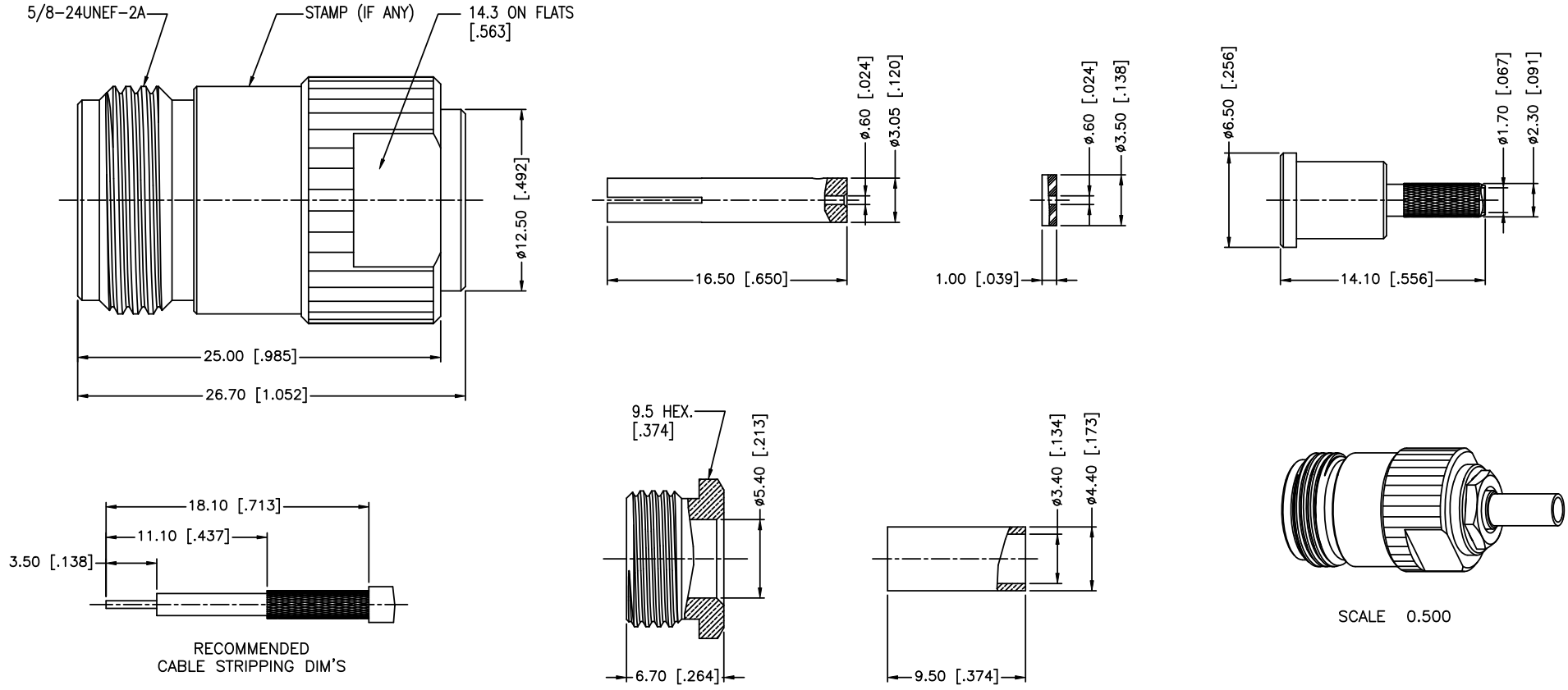


NOTES:

1. ELECTRICAL:
 - A. IMPEDANCE: 50 OHM
 - B. FREQUENCY RANGE: DC TO 11 GHz
 - C. DIELECTRIC WITHSTANDING VOLTAGE: 2500 VRMS, MIN.
2. MECHANICAL:
 - A. DURABILITY: 500 CYCLES MIN.
 - B. TEMPERATURE RANGE: -65°C TO +165°C
3. CRIMPED FERRULE
 - HEX. CRIMP SIZE .151"
4. CRIMPED CONTACT PIN
 - HEX. CRIMP SIZE .100"

REV.	DATE	ECR NO.	DESCRIPTION
NC	11/01/00	XXXXXX	INITIAL RELEASE
A	09/23/11	2230	PLATING WAS CHANGED



QTY	FINISH	MATERIAL	DESCRIPTION
2	NEXCOTE	BRASS	BODY
2	NATURAL	PTFE	INSULATOR
1	GOLD	PHOSPHOR BRONZE	CONTACT PIN
1	NEXCOTE	BRASS	BARREL
1	NEXCOTE	BRASS	HEX. NUT
1	NEXCOTE	COPPER	FERRULE

UNLESS OTHERWISE SPECIFIED DIMENSIONS ARE IN MILLIMETERS. DIMENSIONS IN [] ARE IN INCHES AND FOR CUSTOMER REFERENCE ONLY.

UNLESS OTHERWISE SPECIFIED TOLERANCES FOR MILLIMETERS ARE:
 0.5 - 8mm ± 0.20mm
 8 - 30mm ± 0.40mm
 30 - 120mm ± 0.50mm

UNLESS OTHERWISE SPECIFIED TOLERANCES FOR INCHES ARE:
 .020 - .315 ± 0.007"
 .315 - 1.180 ± 0.015"
 1.180 - 4.724 ± 0.020"

DO NOT SCALE DRAWING

APPROVALS	DATE
DRAWN T.DENG	09/23/11
CHECKED	
ISSUED	
SHEET 1 OF 1	
CAD FILE	C:/CONNEX/172205.DWG

Amphenol Connex

PART DESCRIPTION
N STRAIGHT CRIMP JACK

PART NO.
172205

DWG. NO. 172205.DWG REV. A SIZE A SCALE NA