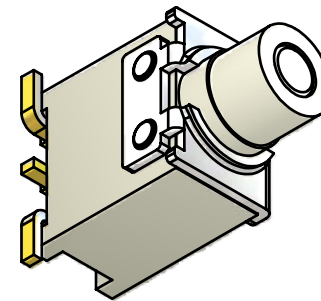
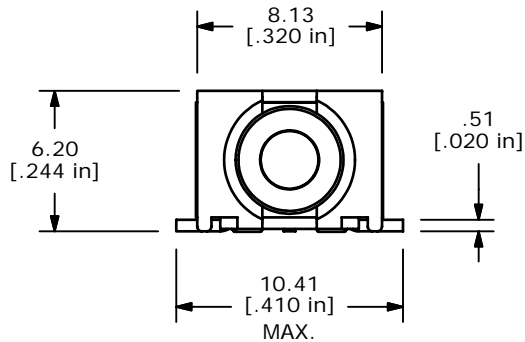


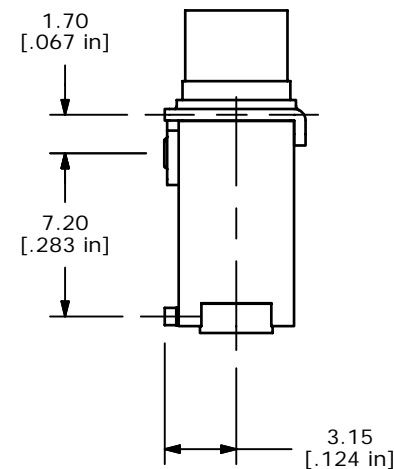
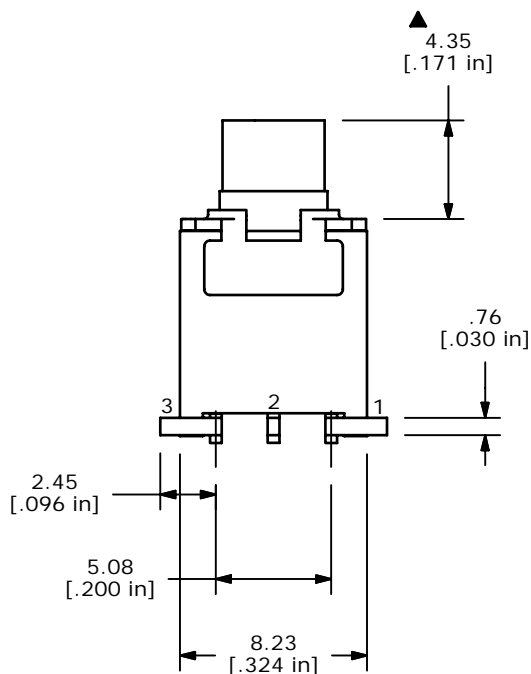
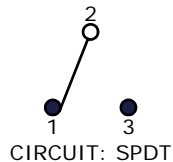
PCB LAYOUT



ISOMETRIC

SWITCH FUNCTION	
POS. 1	POS. 2
ON	(ON)
2-1	2-3

(ON) = MOMENTARY



NOTES:

1. ALL DIMENSIONS IN MM [INCH].
2. TERMINAL NUMBERS FOR REF. ONLY.
3. GENERAL TOLERANCE: X.X=±0.4
X.XX=±0.25
- ▲ 4. PLATING MATERIAL: GOLD
5. RATING: 0.4VA MAX. @ 20VAC OR DC
6. MECHANICAL LIFE: 50,000 MAKE AND BREAK CYCLES AT FULL LOAD
7. INSULATION RESISTANCE: 1,000 MEGA-OHM MIN.
8. DIELECTRIC STRENGTH: 1,000 VRMS @ SEA LEVEL
9. OPERATING TEMPERATURE: -30°C TO 85°C
10. ▲ DENOTES CRITICAL PARAMETER
11. 2002/95/EC (ROHS) COMPLIANT.



A	16251	NEW RELEASE	7/26/06	BK
REV	PCR NO	DESCRIPTION	DATE	BY

TITLE 800BWSP8SM6RE (FLUSH)				
SCALE 3:1	DATE 07/26/06	DR BK	DWG T833016	REV A

THE INFORMATION CONTAINED IN THIS DOCUMENT IS PROPRIETARY TO E-SWITCH AND IS NOT TO BE COPIED OR TRANSFERRED