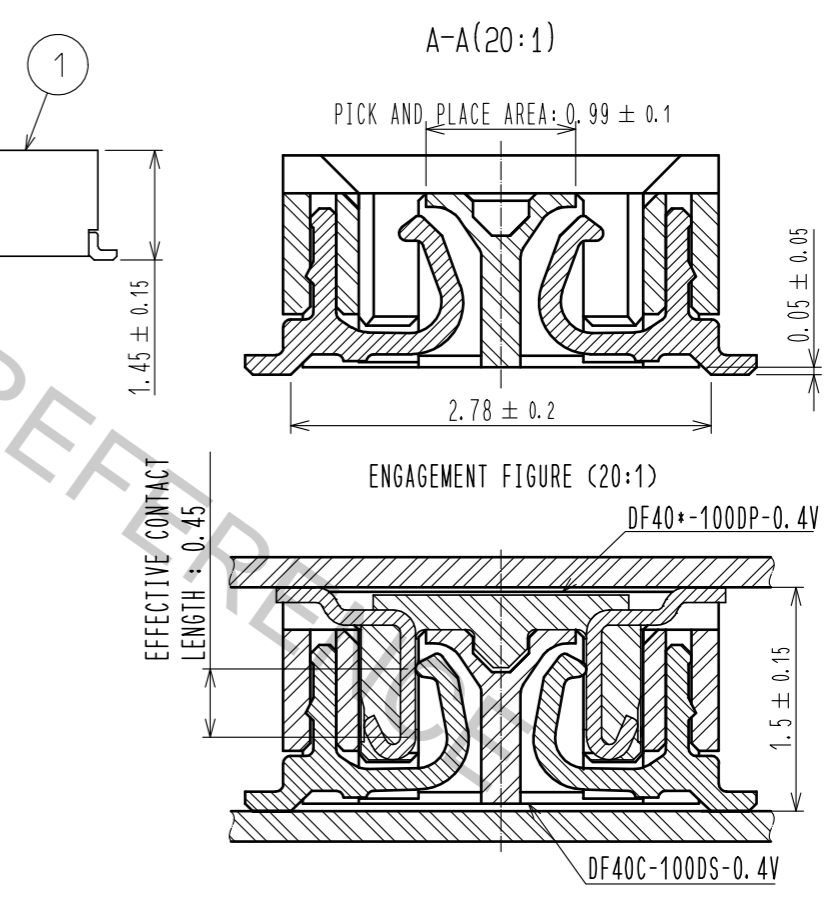
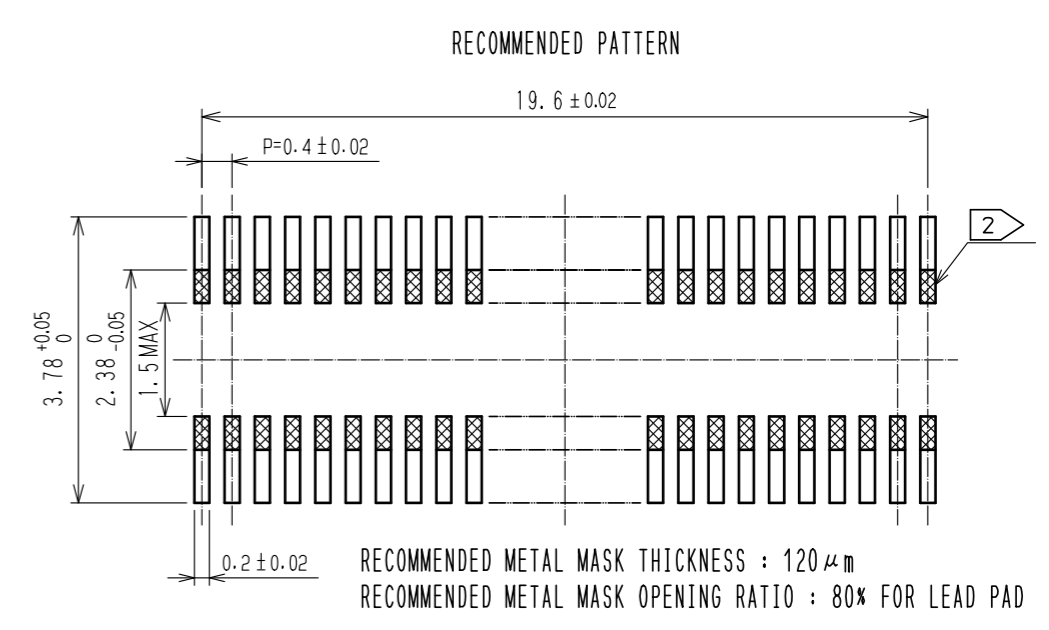
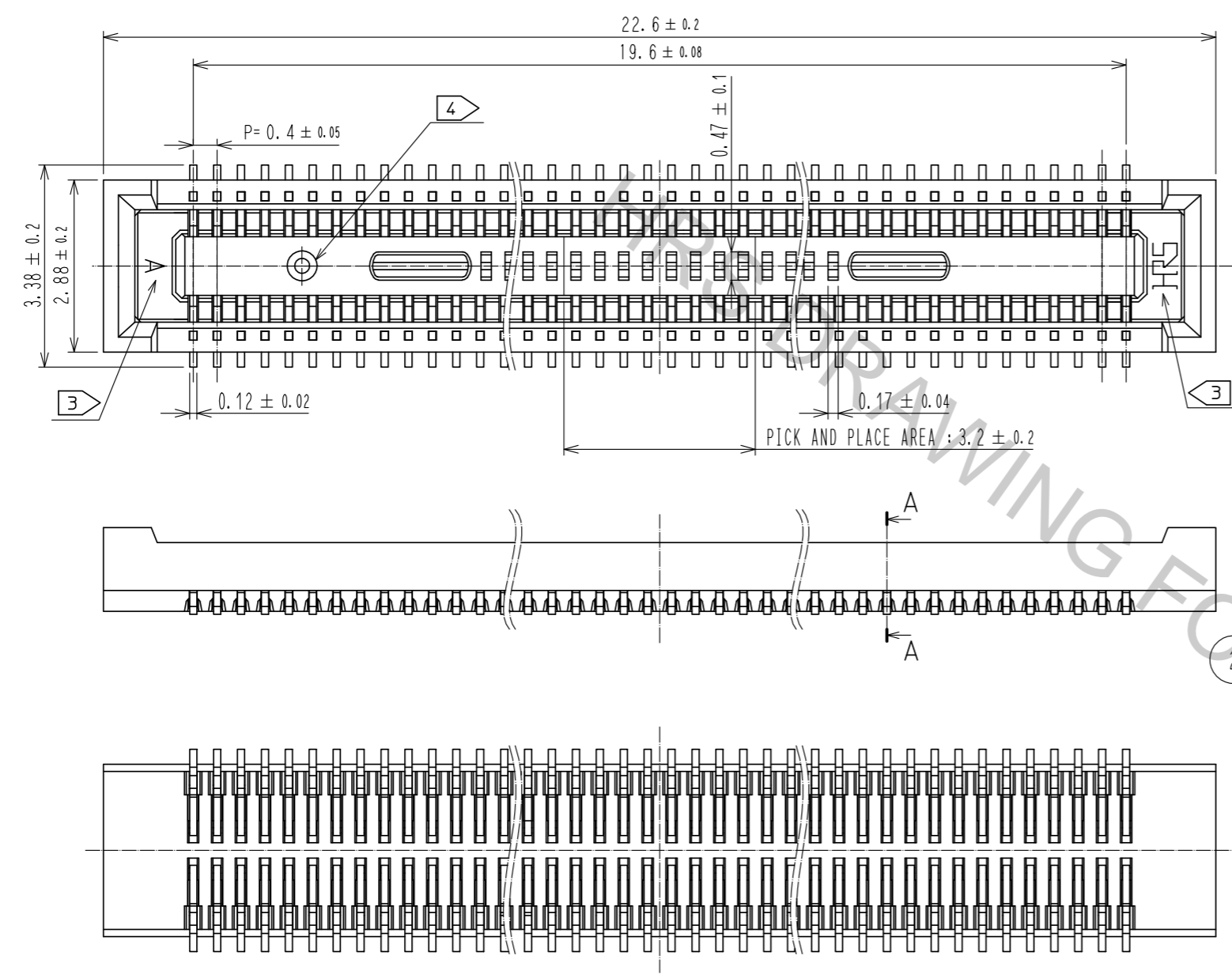
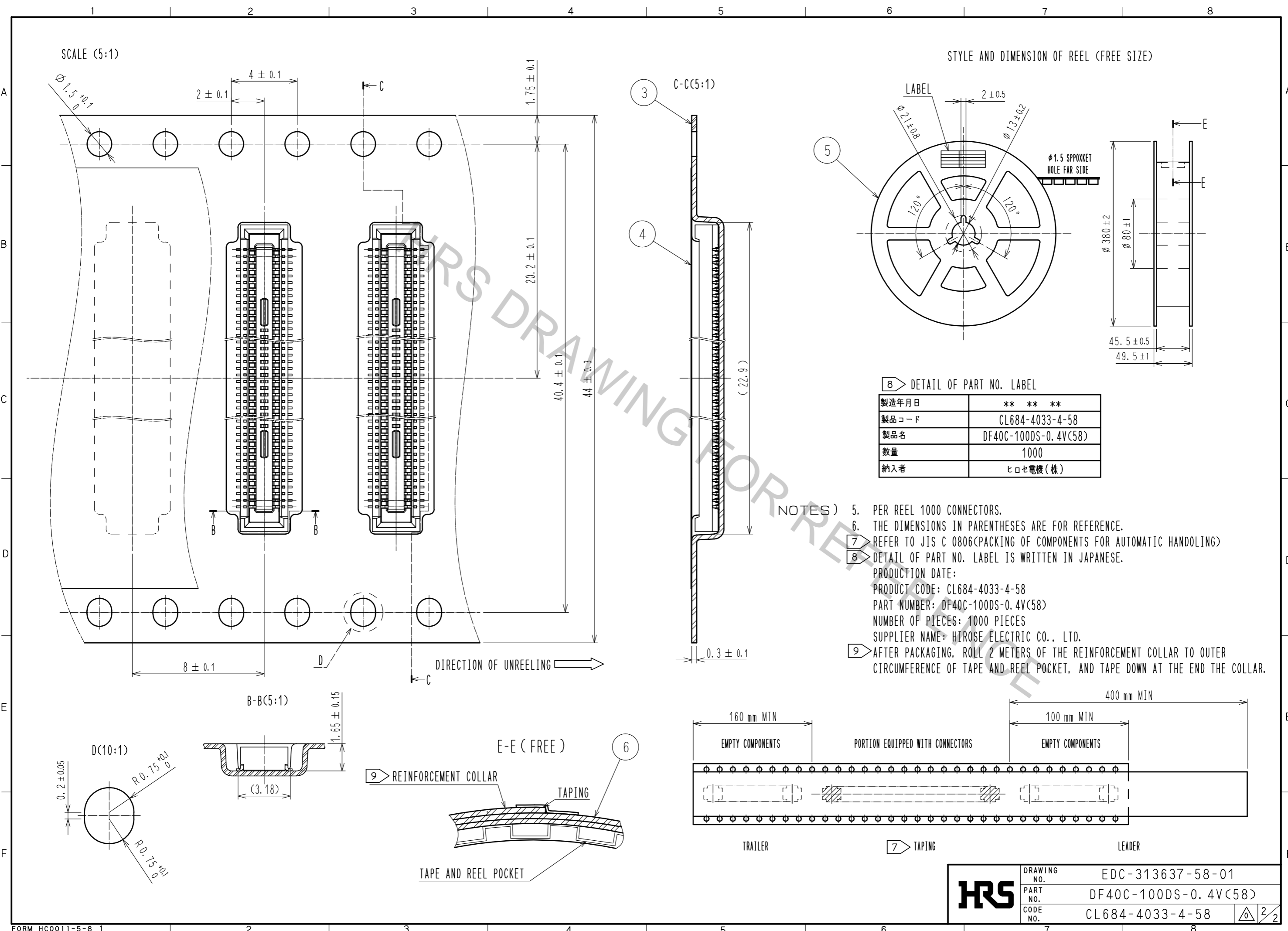


Apr.1.2017 Copyright 2017 HIROSE ELECTRIC CO., LTD. All Rights Reserved.



- NOTES )
- 1. ALL LEADS METAL FITTINGS CO-PLANARITY SHALL BE 0.1mm MAX.
  - 2. IS NO PATTERN AREA OTHER THAN THE SAME CIRCUIT.
  - 3. HRS MARK AND CAV NO. IS INDICATED IN APPROXIMAL POSITION SHOWN.
  - 4. GATE POSITION IS POSITIONED IN APPROXIMAL AREA SHOWN.

| 2                      | PHOSPHOR BRONZE | CONTACT AREA: GOLD 0.05 μm MIN | 6          | PS                       | CLEAR, REINFORCEMENT COLLAR  |                        |         |      |
|------------------------|-----------------|--------------------------------|------------|--------------------------|------------------------------|------------------------|---------|------|
|                        |                 | SMT LEAD: GOLD 0.05 μm MIN     | 5          | PS                       | BLACK                        |                        |         |      |
|                        |                 | UNDERPLATING: NICKEL 1 μm MIN  | 4          | POLYESTER                | CLEAR, COVER TAPE            |                        |         |      |
| 1                      | LCP             | BLACK, UL94V-0                 | 3          | PS                       | CLEAR, EMBOSSED CARRIER TAPE |                        |         |      |
| NO.                    | MATERIAL        | FINISH . REMARKS               | NO.        | MATERIAL                 | FINISH . REMARKS             |                        |         |      |
| UNITS<br>mm            |                 | SCALE<br>10 : 1                | COUNT      | DESCRIPTION OF REVISIONS |                              | DESIGNED               | CHECKED | DATE |
| APPROVED : MO. ISHIDA  |                 |                                | 16. 10. 05 | DRAWING NO.              |                              | EDC-313637-58-01       |         |      |
| CHECKED : TS. MIYAZAKI |                 |                                | 16. 10. 05 | PART NO.                 |                              | DF40C-100DS-0. 4V (58) |         |      |
| DESIGNED : SH. HOSODA  |                 |                                | 16. 10. 05 | CODE NO.                 |                              | CL684-4033-4-58        |         |      |
| DRAWN : SN. NUMAZAKI   |                 |                                | 16. 10. 04 | NO.                      |                              | 1/2                    |         |      |



8 DETAIL OF PART NO. LABEL

|       |                      |
|-------|----------------------|
| 製造年月日 | ** ** *              |
| 製品コード | CL684-4033-4-58      |
| 製品名   | DF40C-100DS-0.4V(58) |
| 数量    | 1000                 |
| 納入者   | ヒロセ電機(株)             |

|            |             |                      |
|------------|-------------|----------------------|
| <b>HRS</b> | DRAWING NO. | EDC-313637-58-01     |
|            | PART NO.    | DF40C-100DS-0.4V(58) |
|            | CODE NO.    | CL684-4033-4-58      |
|            |             | 2/2                  |