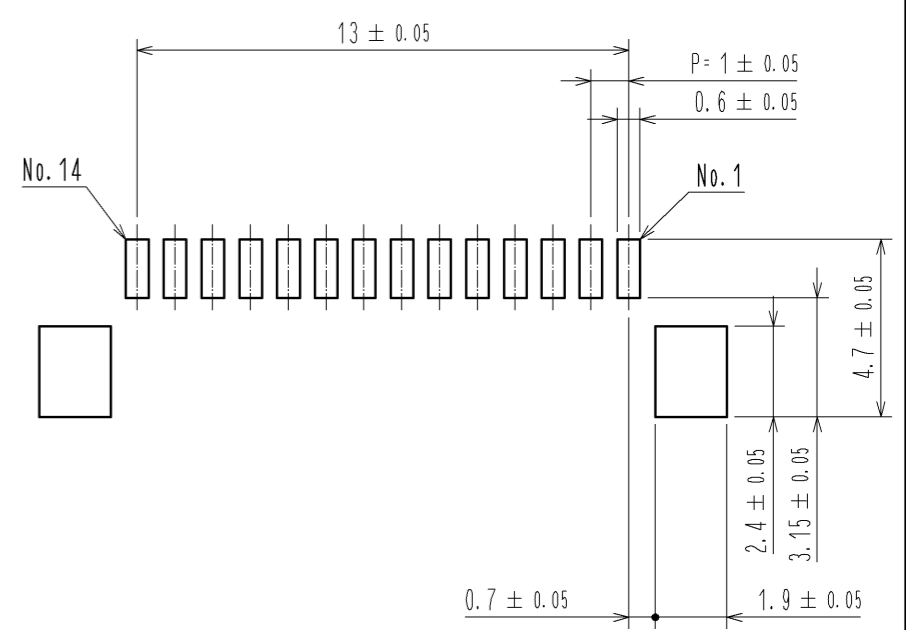
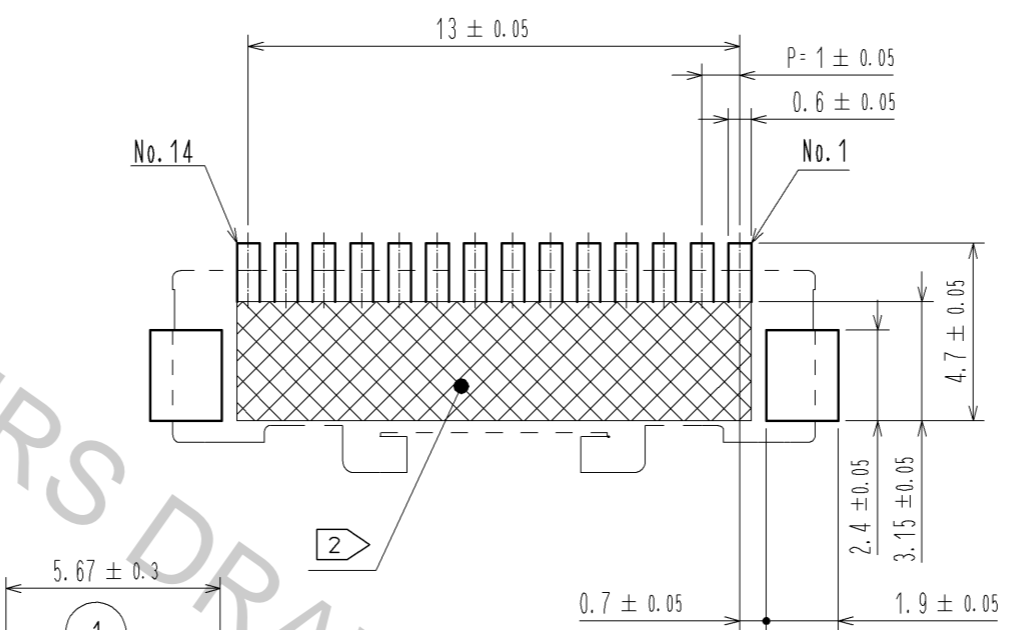
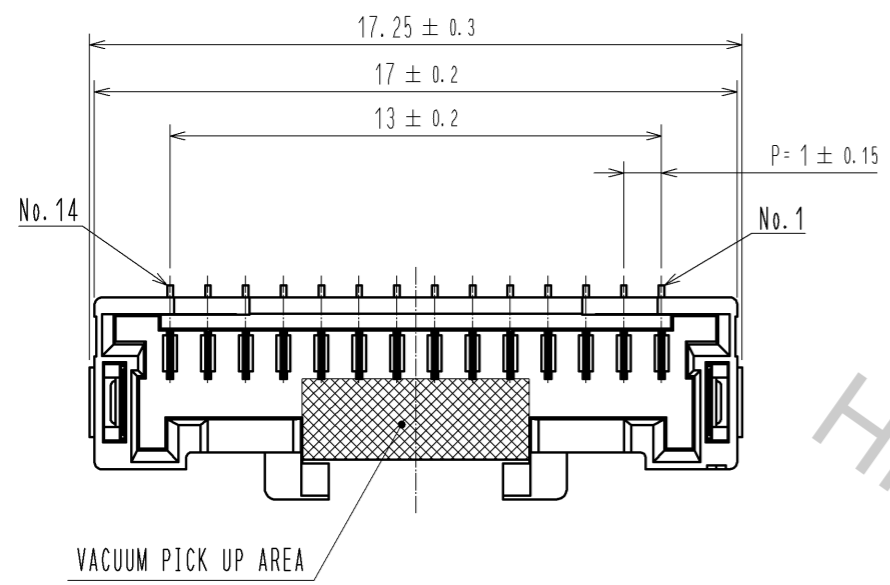


Apr.1.2017 Copyright 2017 HIROSE ELECTRIC CO., LTD. All Rights Reserved.

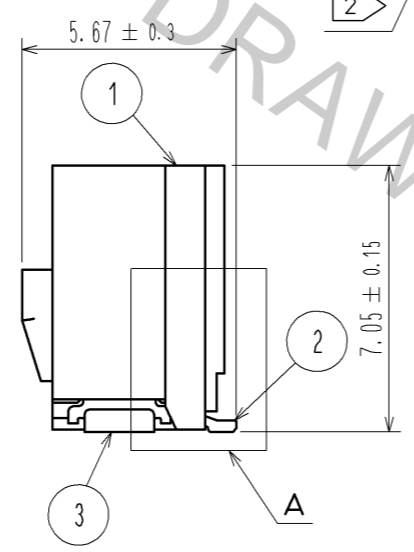
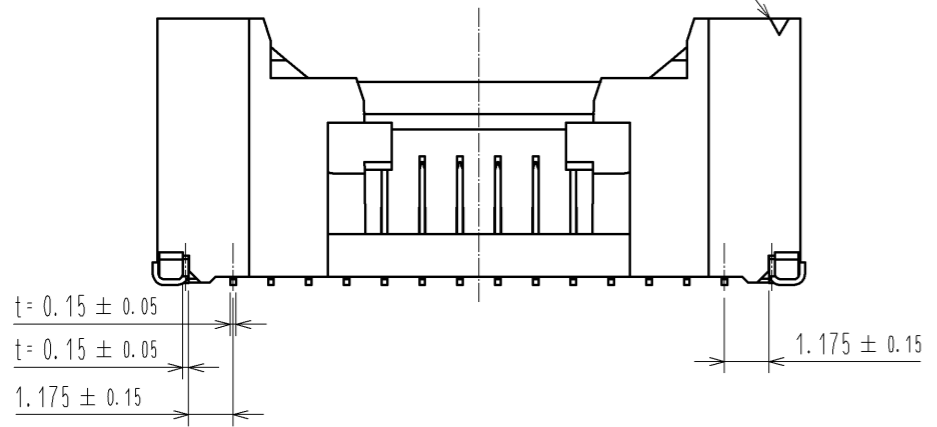
RECOMMENDED PCB LAYOUT
(MOUNTING SURFACE SIDE) (FREE)

RECOMMENDED METAL MASK (FREE)

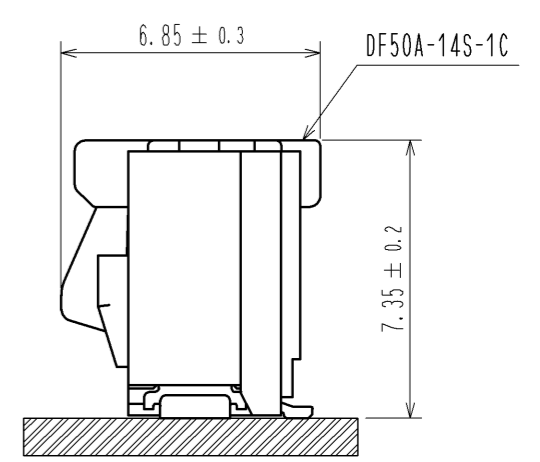
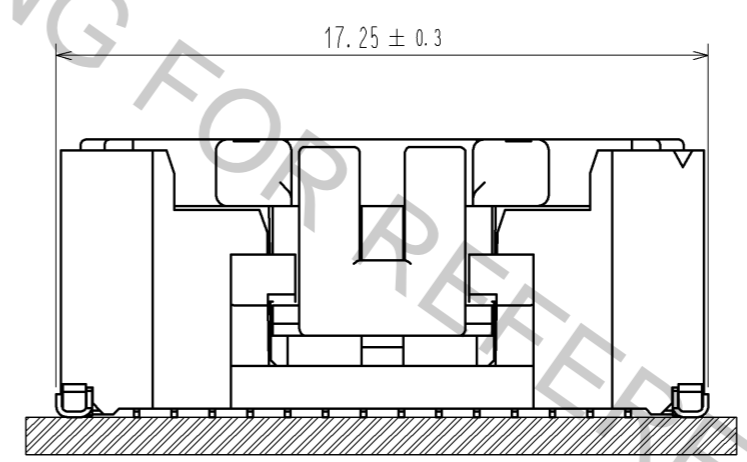
THICKNESS : 0.1mm
OPEN AREA RATIO:100%



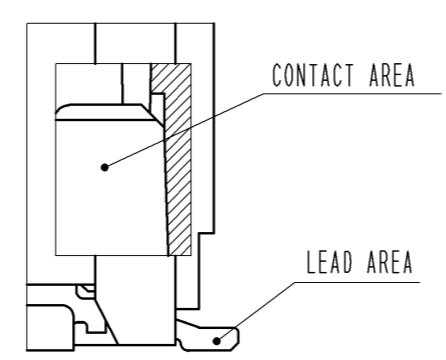
POLARIZATION MARK



MATING FIGURE (5:1)

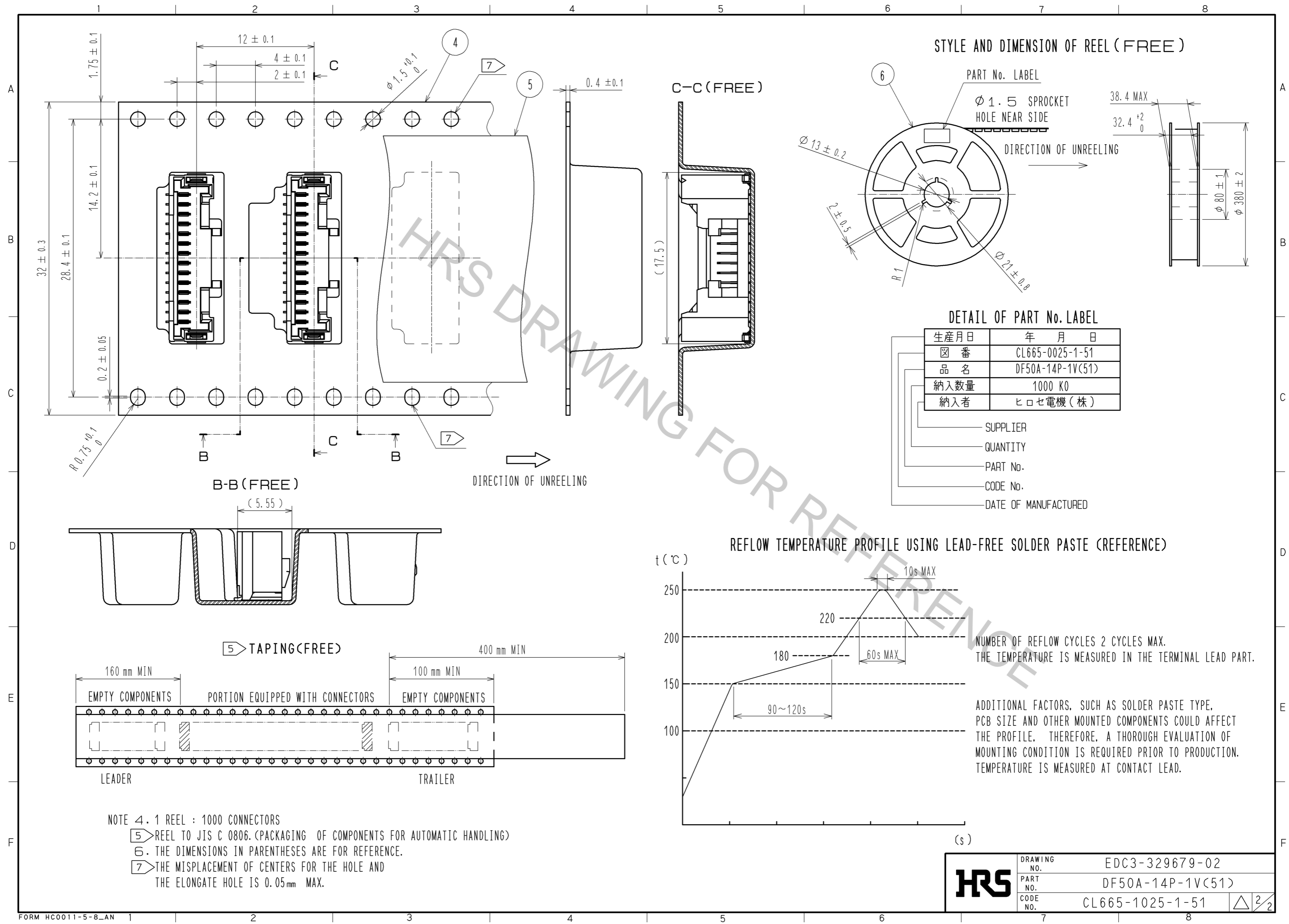


A (10:1)



- NOTES 1. LEAD CO-PLANARITY SHALL BE 0.1mm MAX
 2. AREA INDICATED MUST BE FREE OF CONDUCTIVE TRACES OR THE CONDUCTIVE TRACES MUST BE COVERED BY RESIST FILM.
 3. PLEASE CONSULT HIROSE WHEN THE PRODUCT IS MOUNTED TO FPC.

3	PHOSPHOR BRONZE	CONTACT AREA : Sn PLATING 1μm MIN UNDER PLATING : Cu PLATING 0.3μm MIN	6	PS	REEL . BLACK
2	BRASS	CONTACT AREA : Au PLATING 0.05μm MIN LEAD AREA : Au PLATING 0.05μm MIN UNDER PLATING : Ni PLATING 1μm MIN	5	POLYESTER	CLEAR
1	LCP	BLACK . UL94V-0	4	PS	CLEAR
NO.	MATERIAL	FINISH . REMARKS	NO.	MATERIAL	FINISH . REMARKS
UNITS mm		SCALE 5 : 1	COUNT		DESCRIPTION OF REVISIONS
DESIGNED		DESIGNED	DESIGNED	DESIGNED	DESIGNED
CHECKED		CHECKED	CHECKED	CHECKED	CHECKED
DRAWN		DRAWN	DRAWING NO.		EDC3-329679-02
APPROVED		APPROVED	PART NO.		DF50A-14P-1V(51)
HRS HIROSE ELECTRIC CO., LTD.		DESIGNED	CODE NO.		CL665-1025-1-51
		DRAWN			1/2



STYLE AND DIMENSION OF REEL (FREE)

DETAIL OF PART No. LABEL

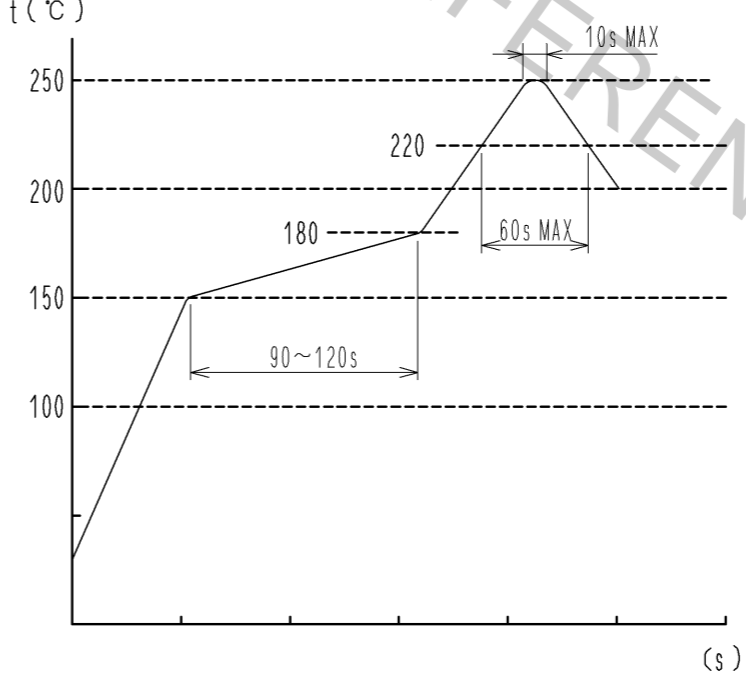
生産月日	年 月 日
図 番	CL665-0025-1-51
品 名	DF50A-14P-1V(51)
納入数量	1000 KO
納入者	ヒロセ電機(株)

DETAIL OF PART No. LABEL

生産月日	年 月 日
図 番	CL665-0025-1-51
品 名	DF50A-14P-1V(51)
納入数量	1000 KO
納入者	ヒロセ電機(株)

— SUPPLIER
 — QUANTITY
 — PART No.
 — CODE No.
 — DATE OF MANUFACTURED

REFLOW TEMPERATURE PROFILE USING LEAD-FREE SOLDER PASTE (REFERENCE)



NUMBER OF REFLOW CYCLES 2 CYCLES MAX.
THE TEMPERATURE IS MEASURED IN THE TERMINAL LEAD PART.

ADDITIONAL FACTORS, SUCH AS SOLDER PASTE TYPE, PCB SIZE AND OTHER MOUNTED COMPONENTS COULD AFFECT THE PROFILE. THEREFORE, A THOROUGH EVALUATION OF MOUNTING CONDITION IS REQUIRED PRIOR TO PRODUCTION. TEMPERATURE IS MEASURED AT CONTACT LEAD.

- NOTE 4. 1 REEL : 1000 CONNECTORS
- ⑤ REEL TO JIS C 0806. (PACKAGING OF COMPONENTS FOR AUTOMATIC HANDLING)
 - ⑥ THE DIMENSIONS IN PARENTHESES ARE FOR REFERENCE.
 - ⑦ THE MISPLACEMENT OF CENTERS FOR THE HOLE AND THE ELONGATE HOLE IS 0.05mm MAX.

HRS	DRAWING NO.	EDC3-329679-02
	PART NO.	DF50A-14P-1V(51)
	CODE NO.	CL665-1025-1-51
		△ 2/2