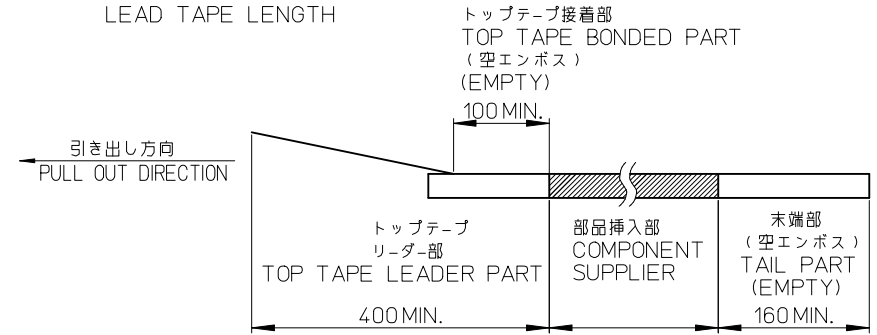


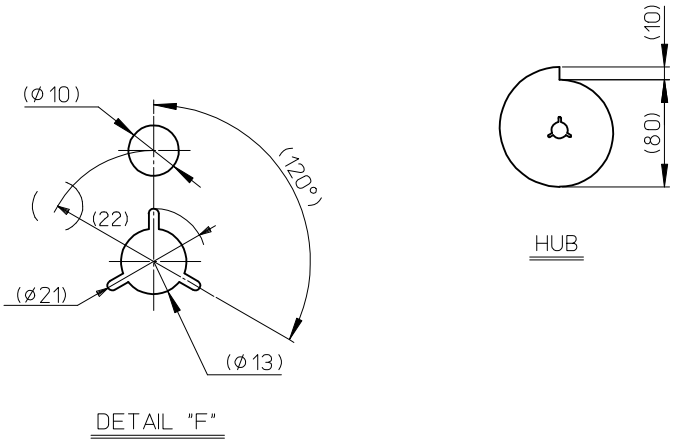
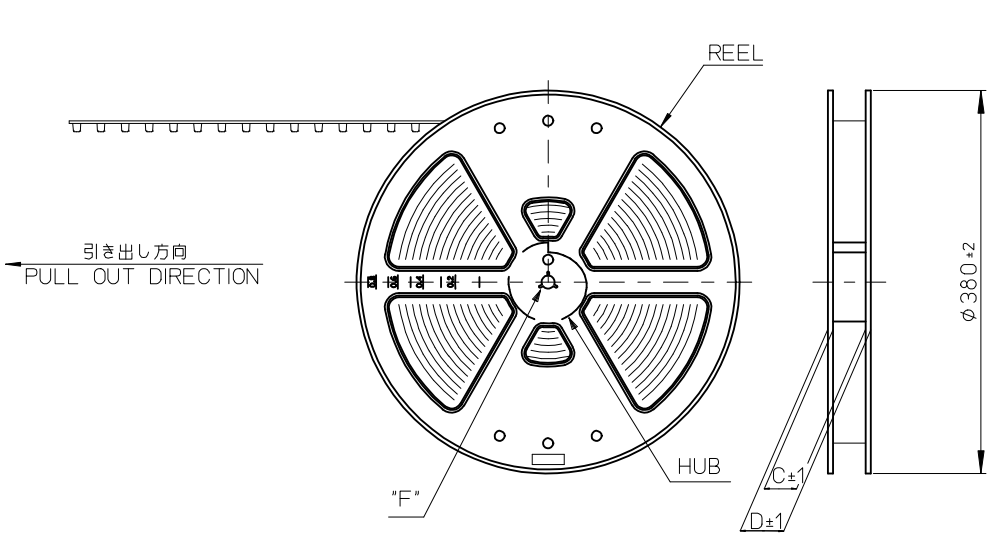
NOTES

1. 梱包数量：900 個/リール
NUMBER OF CONNECTORS:900 PCS/REEL
2. リードテープ長さ
LEAD TAPE LENGTH



3. 製品詳細寸法については図面 SD-501786-008を参照下さい。
RE DETAILED DIMENSION, SEE SD-501786-008.
4. 材料(MATERIAL)
キャリアテープ(CARRIER TAPE) : ポリスチレン(POLYSTYRENE)
トップテープ(TOP TAPE) : PET, PE, PE
リール(REEL) : ポリスチレン(POLYSTYRENE)<リサイクル材を含む>
<RECYCLE MATERIAL CONTAINED>
5. ELV及びRoHS適合品
ELV AND RoHS COMPLIANT

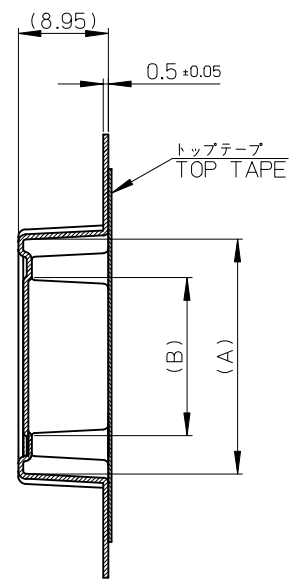
10 9 8 7 6 5 4 3 2 1



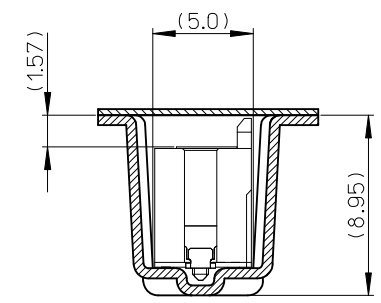
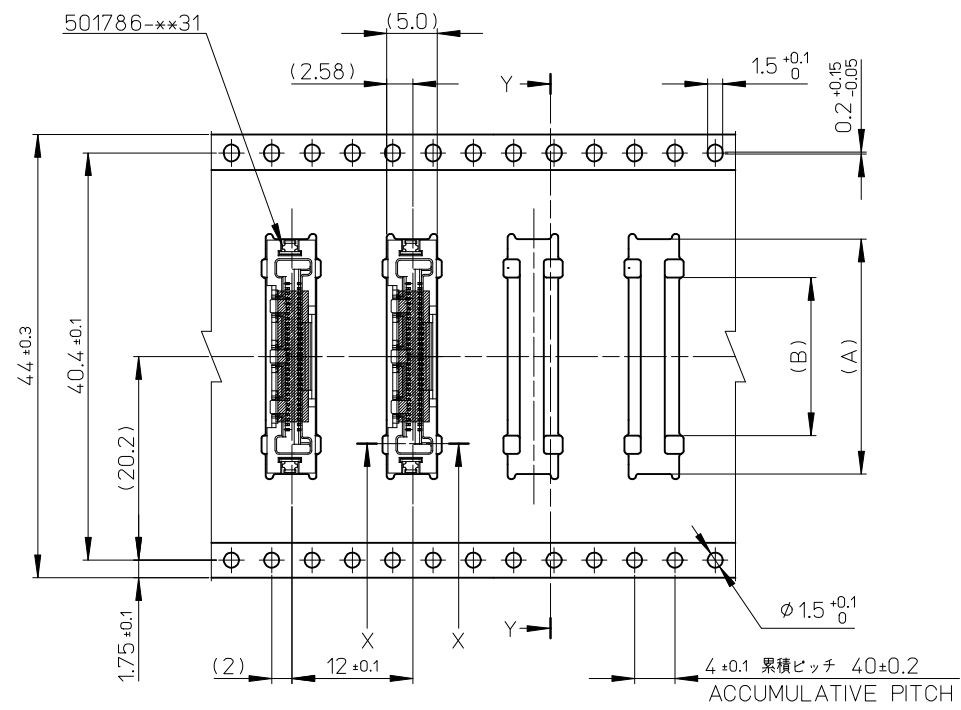
501786-**91 MODEL NO.

REVISED EC NO: J2009-1986 DRWN:YSHIBATA 2009/02/26 CHKD:THARUYAMA 2009/02/26 APPR:NUKITA 2009/02/26	GENERAL TOLERANCES (UNLESS SPECIFIED)		DIMENSION STYLE MM ONLY		SCALE	DESIGN UNITS	THIRD ANGLE PROJECTION	
	10 UNDER	± 0.2	DRAWN BY	DATE	TITLE	EMBSTP PKG FOR 0.5 FFC TO BOARD ST TYPE		
	10 OVER 30 UNDER	± 0.25	H. IJIMA	07/12/25				
	30 OVER	± 0.3	CHECKED BY	DATE	MOLEX INCORPORATED			
	ANGULAR	± 3	K. MORIKAWA	07/12/25				
DRAFT WHERE APPLICABLE MUST REMAIN WITHIN DIMENSIONS		APPROVED BY	DATE	MATERIAL NO.	DOCUMENT NO.	SHEET NO.		
A		H. HIRATA	07/12/25	501786-**91	SD-501786-009	1 OF 2		
THIS DRAWING CONTAINS INFORMATION THAT IS PROPRIETARY TO MOLEX INCORPORATED AND SHOULD NOT BE USED WITHOUT WRITTEN PERMISSION								

引き出し方向
PULL OUT DIRECTION



SECT. Y-Y

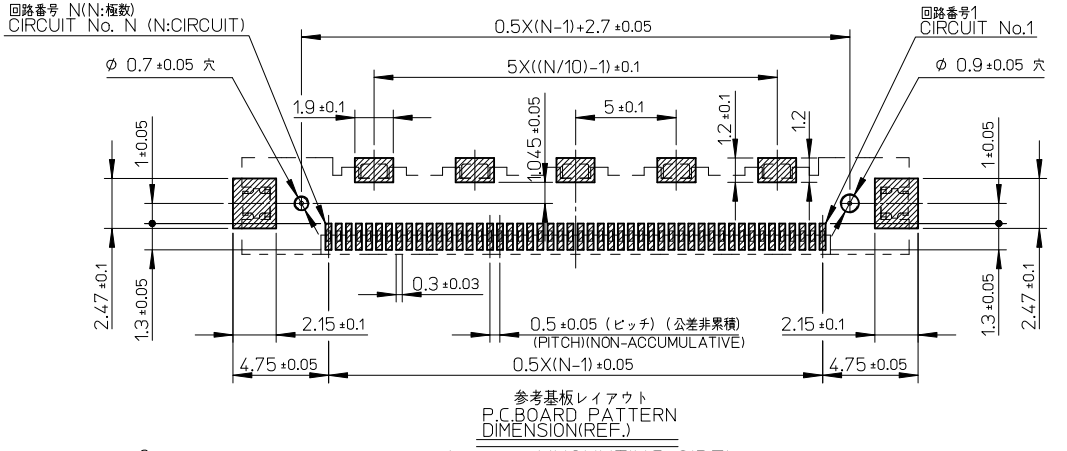
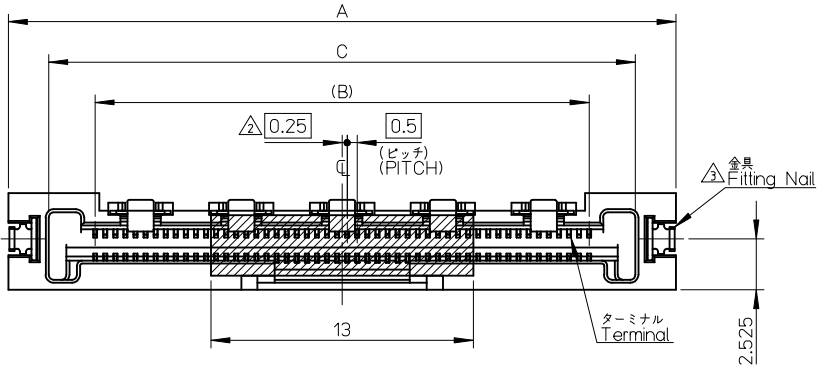


SECT. X-X

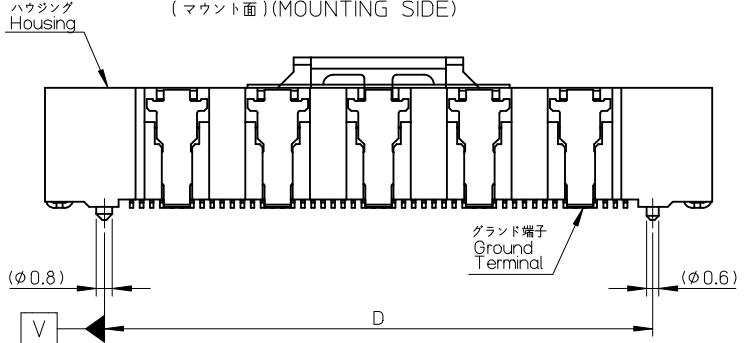
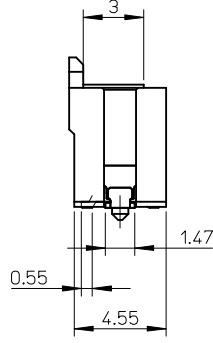
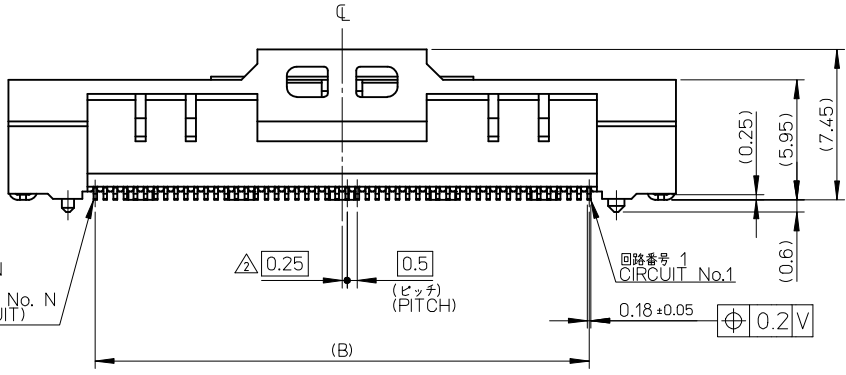
44mm幅キャリアテープ
44mm WIDTH CARRIER TAPE

56	61.4	57.4	25.68	33.3	501786-5091	50
44	49.4	45.4	15.68	23.3	501786-3091	30
キャリアテープ幅 CARRIER TAPE WIDTH	D	C	B	A	製品番号 MATERIAL NO.	極数 CKT

REVISED EC NO: J2009-1986 DRWN: YSHIBATA 2009/02/26 CHKD: THARUYAMA 2009/02/26 APPR: NUKITA 2009/02/26 REV A	DESCRIPTION GENERAL TOLERANCES (UNLESS SPECIFIED) 10 UNDER ± 0.2 10 OVER 30 UNDER ± 0.25 30 OVER ± 0.3 ANGULAR ± 3 ° DRAFT WHERE APPLICABLE MUST REMAIN WITHIN DIMENSIONS	DIMENSION STYLE MM ONLY	SCALE ---	DESIGN UNITS METRIC	THIRD ANGLE PROJECTION		
		DRAWN BY H. IJIMA	DATE 07/12/25	TITLE EMBSTP PKG FOR 0.5 FFC TO BOARD ST TYPE			
		CHECKED BY K. MORIKAWA	DATE 07/12/25	MOLEX INCORPORATED			
		APPROVED BY H. HIRATA	DATE 07/12/25	MATERIAL NO. 501786-**91	DOCUMENT NO. SD-501786-009	SHEET NO. 2 OF 2	

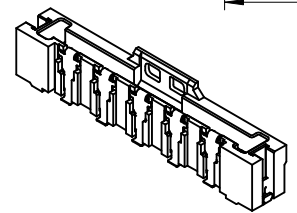
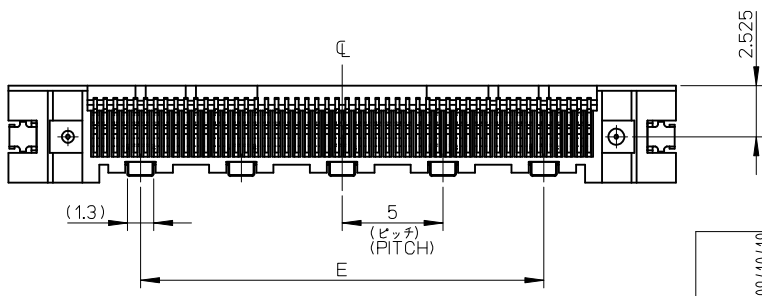


参考基板レイアウト
PC BOARD PATTERN
DIMENSION (REF.)
(マウント面) (MOUNTING SIDE)



回路番号 N
(N:極数)
CIRCUIT No. N
(N:CIRCUIT)

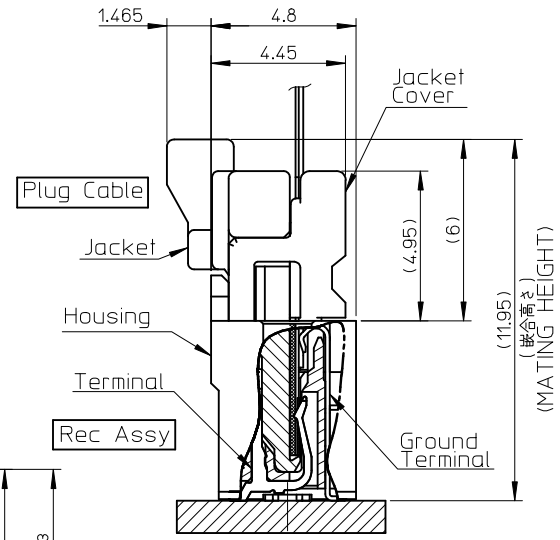
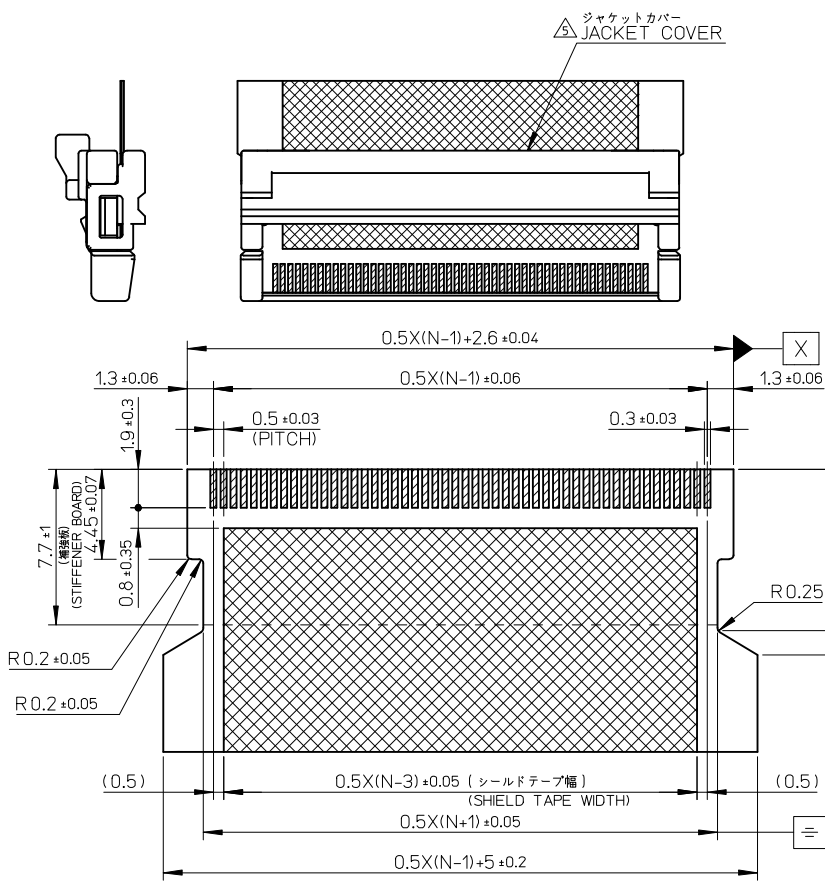
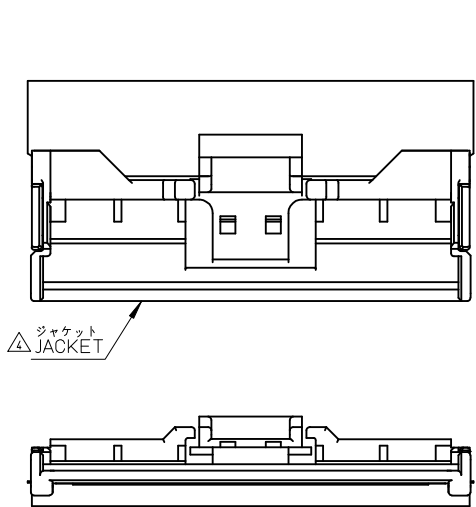
回路番号 1
CIRCUIT No.1



5	20	27.2	29.1	24.5	33.1	501786-5091	50
QTY of Ground Term						EMBOSSED TAPE PKG.	極数 CIRCUIT
						ORDER No. オオーダー番号	

CONNECTOR SERIES No. 501786-**31

REVISED EC NO: J2010-0779 DRWN: NISHI 2009/10/19 CHKD: MATSUURA 2009/10/19 APPR: KMORIKAWA 2009/10/19	GENERAL TOLERANCES (UNLESS SPECIFIED)		DIMENSION STYLE MM ONLY		SCALE 1:1	DESIGN UNITS METRIC		THIRD ANGLE PROJECTION	
	10 UNDER	±0.2	DRAWN BY YSHIBATA	DATE 2009/02/17	TITLE 0.5 FFC TO BOARD CONN REC HSG ASSY (ST)				
	10 OVER 30 UNDER	±0.25	CHECKED BY THARUYAMA	DATE 2009/02/17	MOLEX INCORPORATED				
	30 OVER	±0.3	APPROVED BY NUKITA	DATE 2009/02/17	DOCUMENT NO. SD-501786-012				
	ANGULAR ±1 °		MATERIAL NO. SEE CHART		SHEET NO. 1 OF 2				
DRAFT WHERE APPLICABLE MUST REMAIN WITHIN DIMENSIONS		THIS DRAWING CONTAINS INFORMATION THAT IS PROPRIETARY TO MOLEX INCORPORATED AND SHOULD NOT BE USED WITHOUT WRITTEN PERMISSION							



嵌合断面図
MATED CONNECTOR SECTION

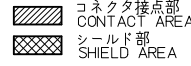
注記
NOTE

1. 使用材料 MATERIAL

- ハウジング HOUSING : 液晶ポリマー (LCP), ガラス充填, UL94V-0 色: 黒色
LIQUID CRYSTAL POLYMER(LCP), GLASS FILLED, UL94V-0 COLOR: BLACK
- ターミナル TERMINAL : 燐青銅 (τ=0.18)
PHOSPHOR BRONZE (τ=0.18)
メッキ PLATING : コンタクト部: 部分金めっき (0.1μm以上)
テル部: 部分金めっき
下地: ニッケルめっき (1.0μm以上)
- CONTACT AREA : SEPARATED GOLD PLATING (0.1μm MINIMUM)
SOLDER TAIL AREA : SEPARATED GOLD PLATING
UNDER PLATING : NICKEL OVERALL (1.0μm MINIMUM)
- 金具 FITTING NAIL : 燐青銅 (τ=0.25)
ニッケル下地 錫メッキ (1.0μm以上)
PHOSPHOR BRONZE (τ=0.25)
TIN OVER NICKEL PLATING (1.0μm MINIMUM)
- グラウンド端子 GROUND TERMINAL : 燐青銅 (τ=0.15)
ニッケル下地 錫メッキ (1.0μm以上)
PHOSPHOR BRONZE (τ=0.15)
TIN OVER NICKEL PLATING (1.0μm MINIMUM)

適用する金めっきFFC推奨寸法
APPLICABLE FFC OF GOLD PLATING
RECOMMENDED DIMENSION

(仕上がり厚さ: コネクタ接点部 0.3±0.03)
シールド部 0.44±0.05)
(THICKNESS : CONTACT AREA 0.3±0.03)
SHIELD AREA 0.44±0.05)



6.FFCについて
ABOUT FFC

打ち抜き方向は導体側から補強板側を推奨します。
導体部については軟箔銅35μmまたは50μmを推奨します。
RECOMMENDED PUNCHING DIRECTION :
FROM CONDUCTOR SIDE TO STIFFENER SIDE
RECOMMENDED CONDUCTOR SPEC :
SOFT COPPER FOIL
RECOMMENDED CONDUCTOR THICKNESS :
35MICROMETER OR 50MICROMETER

7.ELV及びRoHS適合品

ELV AND RoHS COMPLIANT

- △2 N=偶数に適用 (N:極数)
APPLY FOR N-EVEN IN CIRCUIT)
- △3 パターン剥離止め用金具
FITTING NAIL FOR PREVENTION OF PEELING
OF P.C.B PATTERN.
- △4 適合ジャケット: 503150-**09
製品詳細寸法はSD-503150-001を参照下さい。
APPLICABLE JACKET: 503150-**09
RE DETAILED DIMENSION, SEE "SD-503150-001."
- △5 適合ジャケットカバー: 503151-**09
製品詳細寸法はSD-503151-001を参照下さい。
APPLICABLE JACKET: 503151-**09
RE DETAILED DIMENSION, SEE "SD-503151-001."

REVISED EC NO: J2010-0779 DRWN: NISHI 2009/10/19 CHKD: MATSUURA 2009/10/19 APPR: KIMORI KAWA 2009/10/19	DESCRIPTION	GENERAL TOLERANCES (UNLESS SPECIFIED)		DIMENSION STYLE MM ONLY		SCALE	DESIGN UNITS	THIRD ANGLE PROJECTION	
		10 UNDER	±0.2	DRAWN BY	DATE	TITLE	0.5 FFC TO BOARD CONN REC HSG ASSY (ST)		
		10 OVER 30 UNDER	±0.25	CHECKED BY	DATE	MOLEX INCORPORATED			
		30 OVER	±0.3	APPROVED BY	DATE				
		ANGULAR	±1 °	NUKITA	2009/02/17	SD-501786-012	2 OF 2		
DRAFT WHERE APPLICABLE MUST REMAIN WITHIN DIMENSIONS		SIZE	THIS DRAWING CONTAINS INFORMATION THAT IS PROPRIETARY TO MOLEX INCORPORATED AND SHOULD NOT BE USED WITHOUT WRITTEN PERMISSION						