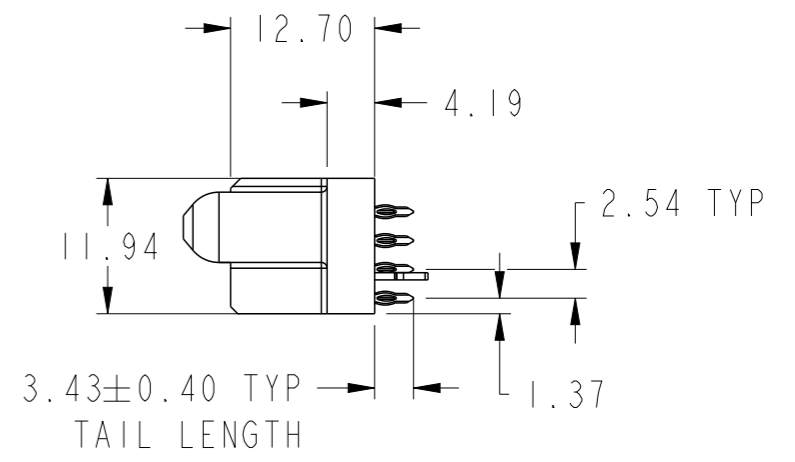
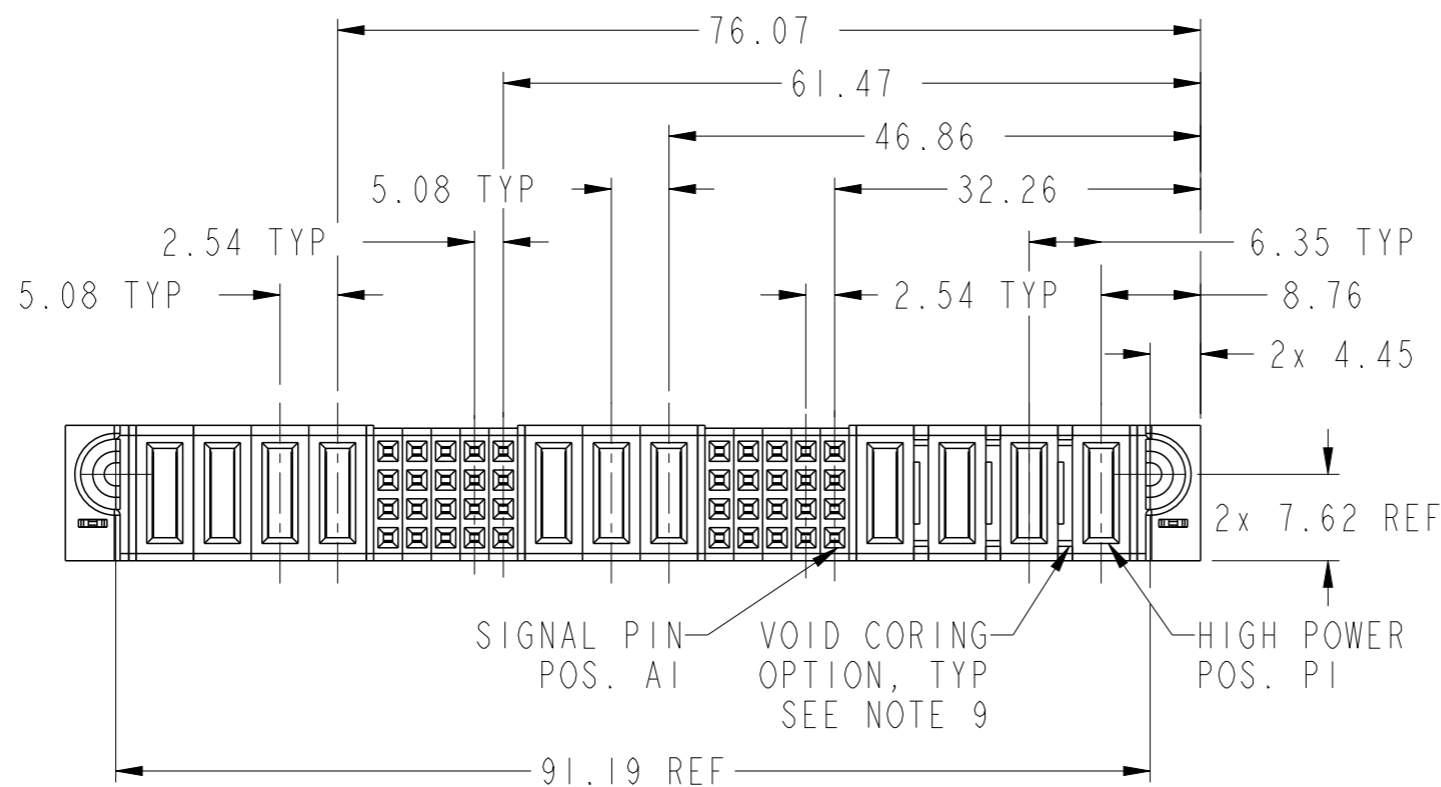
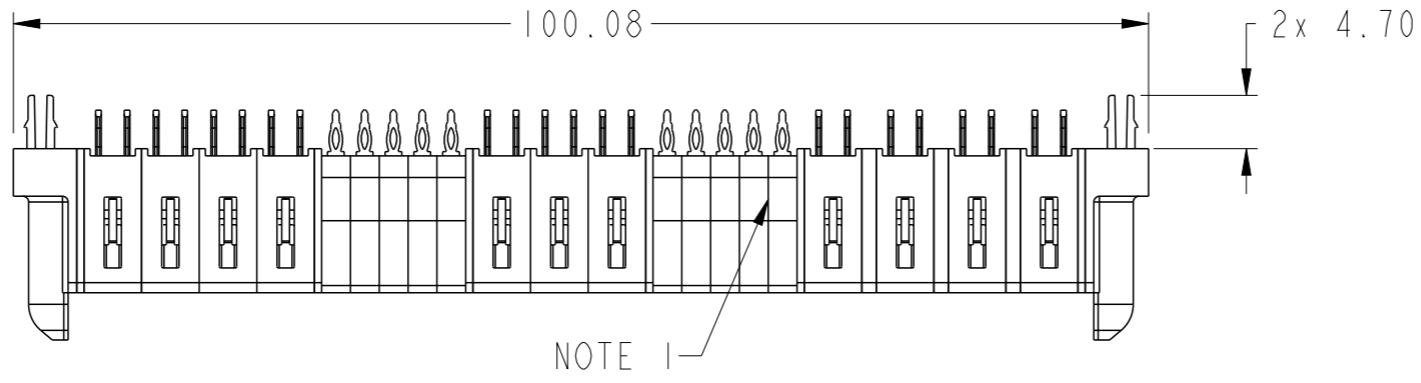
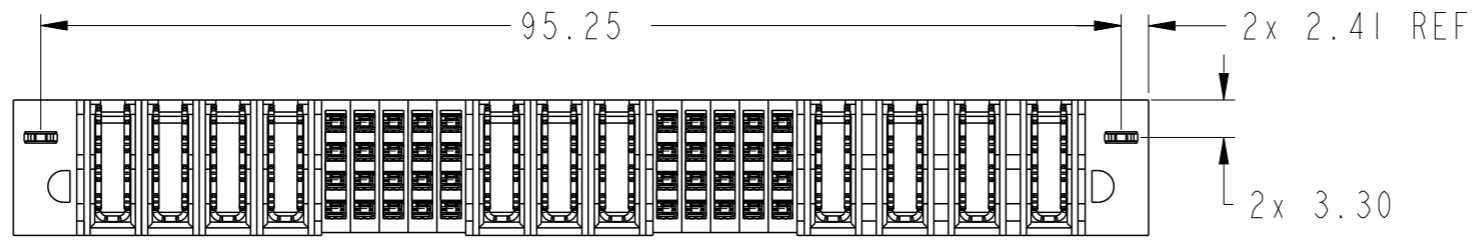


PRODUCT NUMBER SEE SHEET 2

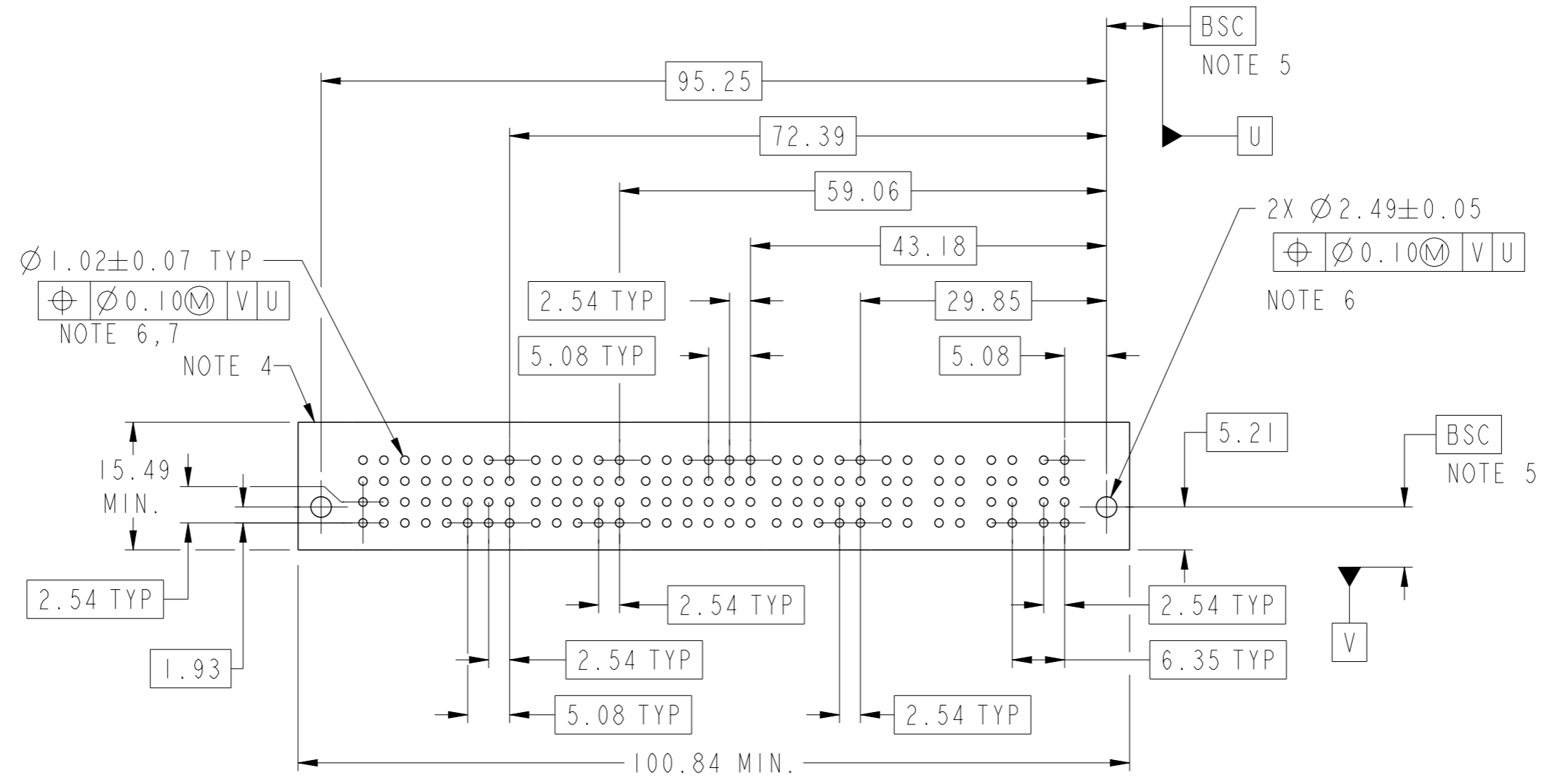


Copyright FCI.

spec ref		dr	Rainbow Zhan	2014/08/12	projection MM	size	A3	scale	3:2	
tolerance std ASME Y14.5		eng	Rainbow Zhan	2014/08/21		product family	PowerBlade+		ecn no	-
TOLERANCES UNLESS OTHERWISE SPECIFIED		chr	Li-He	2014/08/20			rel level	Released		
surface	linear	0.X	±0.50	www.fci.com	cat. no.	4HP+20S+3HDP+20S+4HDP VT PF RECEPTACLE	dwg no	10106269-B010001	rev	
		0.XX	±0.25							
ASME Y14.5	angular	0°	±2°							Product - Customer Drw

PRODUCT NO.	ROWS	HIGH POWER				SIGNAL					HIGH POWER				SIGNAL					HIGH POWER				
		E1	P11	P10	P9	P8	10	9	8	7	6	P7	P6	P5	5	4	3	2	1	P4	P3	P2	P1	E2
10106269-B010001LF	DCBA		HG	HG	HG	HG	F	F	F	F	F	F	F	F	F	F	F	F	F	HG	HG	HG	HG	

CODE	DESCRIPTION
F	STD SIGNAL CONTACT
HA	METAL HOLD DOWN
HG	STD HIGH POWER CONTACT (3.43)



Copyright FCI.

dr	Rainbow Zhan	2014/08/12	projection		size	A3	scale	3:2		
eng	Rainbow Zhan	2014/08/21		←→	ecn no	-	rel level	Released		
chr	Li-He	2014/08/20								
appr	Pei-Ming Zheng	2014/08/21	product family	PowerBlade+						
			4HP+20S+3HDP+20S+4HDP VT PF RECEPTACLE			dwg no 10106269-B010001		rev A		
www.fci.com			cat. no.			Product - Customer Drw			sheet 2 of 3	

A

B

C

D

A

B

C

D

NOTES:

- 1) "FCI", PART NUMBER AND DATE CODE TO BE MARKED ON THIS SURFACE.
THE MARK CAN BE OMITTED IF THERE IS NOT ENOUGH SPACE ON THIS SURFACE.
- 2) MATERIALS:
-HOUSING - GLASS FILLED WITH HIGH TEMP THERMOPLASTIC, UL94V-0.
-SIGNAL CONTACT - COPPER ALLOY.
-POWER CONTACT - HIGH CONDUCTIVITY COPPER ALLOY.
- 3) PLATING SPECIFICATION REFER TO FCI 10116351
- 4) DENOTES CONNECTOR KEEP OUT ZONE.
- 5) DATUM AND BASIC DIMENIONS WERE ESTABLISHED BY CUSTOMER.
- 6) ALL HOLE DIAMETERS ARE FINISHED HOLE SIZES.
- 7) 1.15 ± 0.025MM DRILLED HOLE PLATED WITH 0.00762MM MIN Sn
OVER 0.0254-0.0762MM Cu PLATING TO ACHIEVE A 1.02 ± 0.07MM HOLE.
- 8) PRODUCT SPECIFICATION REFER TO FCI GS-12-658.
APPLICATION SPECIFICATION REFER TO FCI GS-20-141.
PRODUCT PACKAGED IN TRAYS, REFER TO FCI GS-14-1502.
- 9) THE VOID CORING IN BETWEEN POWER MODULES, SIGNAL
MODULES AND END MODULES ARE OPTIONAL AND THE SHAPE
MAY BE DIFFERENT FOR OPTIMIZE THE MOLDING PROCESS. THE
VOID CORING WILL NOT EFFECT TO PRODUCT FUNCTION.



Copyright FCI.

dr	Rainbow Zhan	2014/08/12	projection 	MM ←→	size	A3	scale	1:1	
eng	Rainbow Zhan	2014/08/21			ecn no	-			
chr	Li-He	2014/08/20			rel level	Released			
appr	Pei-Ming Zheng	2014/08/21	product family	PowerBlade+					
		4HP+20S+3HDP+20S+4HDP			dwg no	10106269-B010001		rev	A
www.fci.com		cat. no.	Product - Customer Drw		sheet 3 of 3				