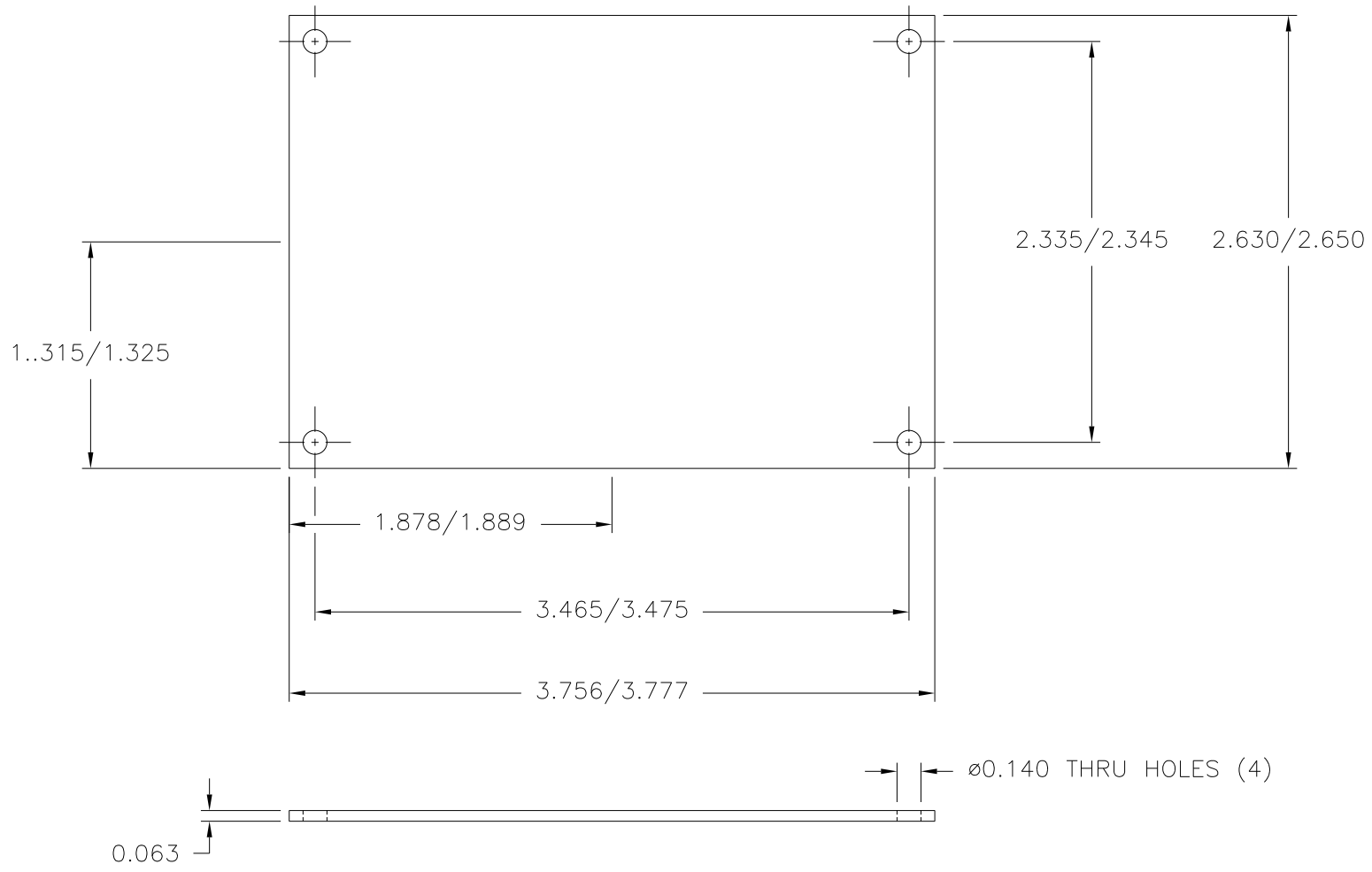


PART NAME: COVER    SCALE: 1:1    DATE: 5/14/64    DR. BY LS

DAVIES MOLDING COMPANY  
CAROL STREAM, ILLINOIS 60188

P/N 0221  
M<sub>NO.</sub>

THIS DRAWING IS THE PROPERTY OF DAVIES MOLDING COMPANY, IS SUBMITTED SOLELY AS A DESIGN OR ENGINEERING PROJECT.  
WE ACCEPT NO RESPONSIBILITY WHATSOEVER FOR THE PRACTICAL APPLICATION OF THE PIECES MADE TO THIS DESIGN.



MATERIAL: LAMINATE - PHENOLIC  
COLOR: BLACK

TOLERANCES: UNLESS OTHERWISE SPECIFIED	DO NOT SCALE DRAWING			
DECIMALS: X.XXX ± .005 X.XX ± .015	MM: X.XX ± 0.15MM X.X ± 0.4MM	-	RE-DID REDRAW	TL 10/13/99
FRACTIONS ± 1/64	ANG. ± 1°	-	CAD REDRAW	HD 10/23/92
CHANGES				