

nRF24Z1

2.4 GHz wireless audio streamer

Product Specification v1.0

Key Features

- Low cost 0.18 μ CMOS process, 36 pin 6×6 mm QFN package
- Single chip 2.4 GHz RF transceiver
- 4 Mbit/sec RF link
- Input/output sample rate up to 48kSPS, 24 bit
- Programmable latency
- Quality of Service engine supporting up to 1.536 Mbit/s LPCM audio
- S/PDIF interface for direct connection to computer soundcard and surround receivers
- I2S interface for glue-less audio support
- SPI or 2-wire interface for up to 12 kbit/s peak bi-directional digital control/AUX data
- On-chip optional compression
- On-chip voltage regulators
- Few external components
- Uses global 2.4 GHz band

Applications

- CD quality headsets
- Headsets
- Speakers
- Surround speakers
- Microphone
- Audio streaming from computer soundcard to HiFi system

Liability disclaimer

Nordic Semiconductor ASA reserves the right to make changes without further notice to the product to improve reliability, function or design. Nordic Semiconductor ASA does not assume any liability arising out of the application or use of any product or circuits described herein.

Life support applications

These products are not designed for use in life support appliances, devices, or systems where malfunction of these products can reasonably be expected to result in personal injury. Nordic Semiconductor ASA customers using or selling these products for use in such applications do so at their own risk and agree to fully indemnify Nordic Semiconductor ASA for any damages resulting from such improper use or sale.

Contact details

For your nearest dealer, please see www.nordicsemi.com

Main office:

Otto Nielsens veg 12
7004 Trondheim
Phone: +47 72 89 89 00
Fax: +47 72 89 89 89
www.nordicsemi.com



RoHS statement

Nordic Semiconductor's products meet the requirements of Directive 2002/95/EC of the European Parliament and of the Council on the Restriction of Hazardous Substances (RoHS). Complete hazardous substance reports as well as material composition reports for all active Nordic products can be found on our web site www.nordicsemi.com.

Revision History

Date	Version	Description
November 2010	1.0	Product specification

Contents

1	Introduction	5
1.1	Quick reference data	5
1.2	Prerequisites	5
1.3	Writing conventions	5
2	Product overview	6
2.1	Pin assignments	6
2.2	Pin functions	7
3	Architectural overview	9
3.1	Fundamental modes of operation	10
3.2	Communication and data transfer principle	10
3.3	Mode- and Interface alternatives	13
3.4	Audio transmitter (ATX)	14
3.5	Audio Receiver (ARX).....	17
3.6	Blocks and functionality common to the ATX abd ARX	20
4	Operation overview	22
4.1	Power on/RESET sequence	22
4.2	RF link initialization	22
4.3	Audio channel	23
4.4	Control channel.....	24
4.5	Power down mode	25
5	nRF24Z1 register MAP	26
5.1	Register access from the ATX side	26
5.2	Register access from the ARX side	26
5.3	Register map in external EEPROM	29
6	Digital I/O.....	30
6.1	Digital I/O behavior during RESET	30
6.2	Audio interfaces	30
6.3	Serial master interfaces	38
6.4	Control and GPIO interfaces.....	43
6.5	Data exchange between an ATX and ARX.....	51
7	Quality of Service (QoS) and RF-protocol	53
7.1	Link establishment	53
7.2	RF protocol	53
7.3	Adaptive Frequency Hopping (AFH).....	54
7.4	Link registers	57
7.5	RF output power	59
8	Interrupts.....	60
9	RESET outputs	62
10	Power down control	63
10.1	Activation of power down mode	63
10.2	Wake up from power down	63
10.3	nRF24Z1 power saving example	66
11	Register update over the control channel	67
11.1	Register update and device relink	68

12	Test mode	70
13	Electrical specifications	71
14	Absolute maximum ratings	75
15	Mechanical specifications	76
16	Ordering information	77
16.1	Package marking	77
16.2	Abbreviations	77
17	Application information	78
17.1	Antenna I/O.....	78
17.2	Crystal specification.....	78
17.3	Bias reference resistor.....	78
17.4	Internal digital supply de-coupling	78
17.5	PCB layout and de-coupling guidelines	78
18	Reference circuits	80
18.1	nRF24Z1 schematics.....	80
18.2	nRF24Z1 layout	82
18.3	ARX BoM	84
19	Glossary	85

1 Introduction

nRF24Z1 provides a true single chip system for CD quality audio streaming of up to 16 bit 48 kSPS audio, supporting up to 24 bit 48 kSPS input. I2S and S/PDIF interfaces are supported for audio input/output (I/O). Seamless interfacing of low cost A/D and D/A for analog audio input and output. SPI or 2-wire (I2C compatible) control serial interfaces. Embedded voltage regulators yield maximum noise immunity and allow operation from a single 2.0V to 3.6V supply.

1.1 Quick reference data

Parameter	Value	Unit
Minimum supply voltage	2.0	V
Temperature range	-20 to +80	°C
Peak supply current in transmit @ -5dBm output power	15	mA
Peak supply current in receive mode	32	mA
Supply current in power down mode	5	µA
Maximum transmit output power	0	dBm
Audio sample rate	8 to 48	kSPS
Audio resolution	16	bit
Receiver sensitivity	-80	dBm

Table 1.nRF24Z1 quick reference data

1.2 Prerequisites

In order to fully understand this product specification, a good knowledge of electronic and software engineering is necessary.

1.3 Writing conventions

This product specification follows a set of typographic rules to make the document consistent and easy to read. The following writing conventions are used:

- Commands, bit state conditions, and register names are written in *Courier New*.
- Pin names and pin signal conditions are written in **Courier New bold**.
- Cross references are [underlined and highlighted in blue](#).

2 Product overview

2.1 Pin assignments

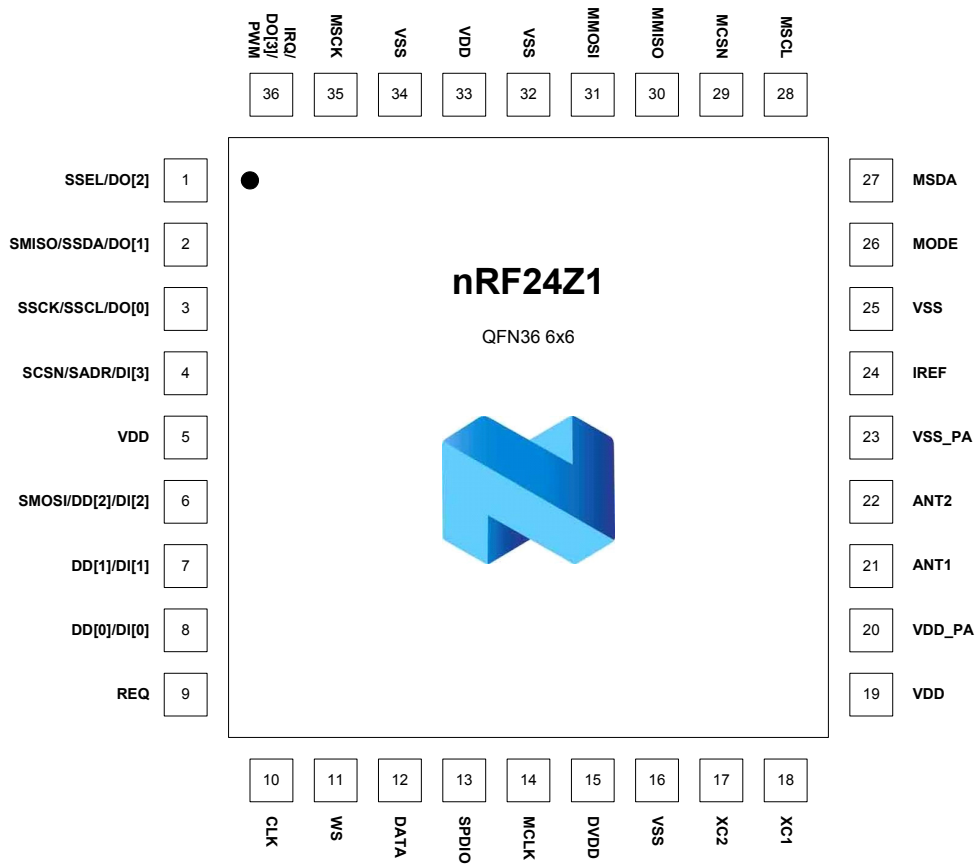


Figure 1. Pin assignments

2.2 Pin functions

[Table 2.](#) shows the nRF24Z1 pin functions. Note that pin functions depend on the functional mode of the device (ATX; audio source or ARX; audio recipient) and the interface of choice.

Pin number	Pin name		Pin function		Description	
	Serial slave interface	ARX GPIO	Serial slave interface	ARX GPIO interface	ATX/ARX w. serial slave interface	ARX w. GPIO interface
1	SSEL	DO[2]	Digital Input	Digital Output	Slave interface select 1:2-wire, 0:SPI	GPIO out bit #2
2	SMISO/SSDA	DO[1]	Digital Output / Digital IO		Slave SPI serial out / Slave 2-wire data (bidir)	GPIO out bit #1
3	SSCK/SSCL	DO[0]	Digital Input	Digital Output	Slave SPI clock / Slave 2-wire clock	GPIO out bit #0
4	SCSN/SADR	DI[3]	Digital Input		Slave SPI slave select / Address select 2-wire slave	GPIO in bit #2
5	VDD		Power		Power Supply (2.0-3.6 V DC)	
6	SMOSI/DD[2]	DI[2]	Digital Input		Slave SPI serial in / Direct data in bit #2	GPIO in bit #3
7	DD[1]	DI[1]	Digital Input		Direct data in bit #1	GPIO in bit #1
8	DD[0]	DI[0]	Digital Input		Direct data in bit #0	GPIO in bit #0
			ATX	ARX		
9	REQ		Dig. Out	Dig. In	For ATX not connected, for ARX connect to VSS	
10	CLK		Dig. IO	Dig. Out	I2S bit clock	
11	WS		Dig. IO	Dig. Out	I2S word clock	
12	DATA		Dig. In	Dig. Out	I2S word clock	
13	SPDIO		Dig. In	Dig. Out	S/PDIF interface	
14	MCLK		Digital Output		256X sample rate clock to ADC or DAC	
15	DVDD		Regulator output		Digital voltage regulator output for decoupling	
16	VSS		Power		Ground (0V)	
17	XC2		Analog output		Crystal Pin 2	
18	XC1		Analog input		Crystal Pin 1	
19	VDD		Power		Power Supply (2.0-3.6 V DC)	
20	VDD_PA		Regulator output		DC output (+1.8V) for RF interface (ANT1, ANT2)	
21	ANT1		RF		Antenna interface 1	

Pin number	Pin name		Pin function	Description
22	ANT2		RF	Antenna interface 2
23	VSS_PA		Power	Ground (0V)
24	IREF		Analog input	Connection to external Bias reference resistor, or RESET if pulled to VDD
25	VSS		Power	Ground (0V)
26	MODE		Digital Input	nRF24Z1 function 1 : audio transmitter, 0: audio receiver
27	MSDA		Digital IO	Master 2-wire bi-directional data
28	MSCL		Digital IO	Master 2-wire bi-directional clock
29	MCSN		Digital Output	Master SPI primary slave select (active low)
30	MMISO		Digital Input	Master SPI serial input
31	MMOSI		Digital Output	Master SPI serial output
32	VSS		Power	Ground (0V)
33	VDD		Power	Power Supply (2.0-3.6 V DC)
34	VSS		Power	Ground (0V)
35	MSCK		Digital Output	Master SPI clock
36	IRQ	DO[3]/PWM	Digital Output	Interrupt request GPIO out bit #3 / PWM output

Table 2. nRF24Z1 pin functions

3 Architectural overview

nRF24Z1 is a 4 Mbit/s single chip RF transceiver that operates in the world wide 2.4 GHz license free ISM band. The nRF24Z1 is based on the proven nRF24xx radio- and ShockBurst™ platforms from Nordic Semiconductor.

The device offers a wireless channel for seamless streaming of LPCM or compressed audio in parallel with a low data rate control channel. To enable this, the device offers the following features in addition to the nRF24xx RF platform:

- Standard digital audio interfaces (I2S, S/PDIF)
- Fully embedded Quality of Service engine handling all RF protocol and RF link tasks.
- SPI and 2-wire master and slave control interfaces
- GPIO pins

As all processing related to audio I/O, RF protocol and RF link management is embedded, the nRF24Z1 offers a transparent audio channel with capacity of up to 1.54 Mbit/s, with no true time processing needed. The nRF24Z1 can be utilized in systems without external microcontroller or used in conjunction with a simple microcontroller that only need to handle low speed tasks over the serial or parallel ports (for example, volume up/down).

A block schematic of a typical nRF24Z1 based system is illustrated in [Figure 2](#).

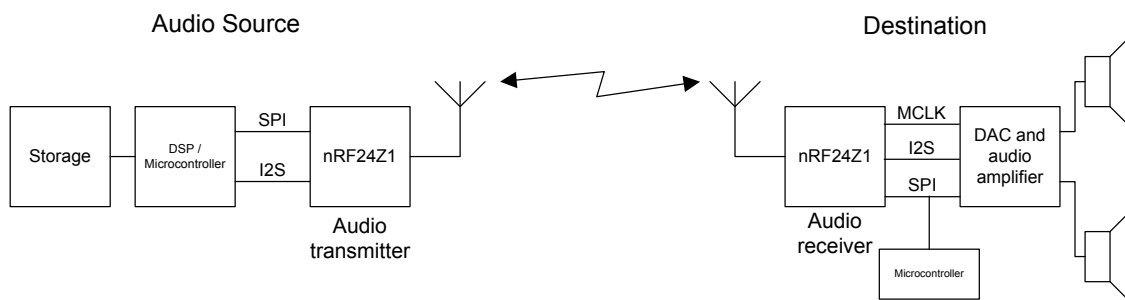


Figure 2. Typical audio application using nRF24Z1

In this system a DSP or microcontroller feeds data from a storage device to an nRF24Z1 using standard audio format (I2S). An nRF24Z1 pair transfers audio data from the source and presents it to a stereo DAC on the receiving side. From the application side, the nRF24Z1 link will appear as an open channel (like a cable).

Initial configuration of nRF24Z1 is done by the microcontroller through an SPI or 2-wire control interface.

3.1 Fundamental modes of operation

A wireless system streaming audio will have an asymmetrical load on the RF link as audio data is fed from an audio source (for example, CD player) to a destination (for example, loudspeakers). From the destination back to the audio source, only service- and control communication is needed.

nRF24Z1 is used both on the audio source side (for example in a CD player) transmitting audio data, and in the recipient (loudspeaker) side receiving audio data. Due to the asymmetry, nRF24Z1 has two main modes set by external pin **MODE**, depending on whether it represents the transmitter or the receiver. The two modes have significant differences both in internal and I/O functionality.

To differentiate between these two modes of operation, the following notation is introduced:

- Audio transmitter: ATX; nRF24Z1 on the audio source side, transmitting audio data
- Audio receiver: ARX; nRF24Z1 on the destination side, receiving audio data

In this context, the terms ‘transmitter’ and ‘receiver’ are referring to the directional flow of the audio; the nRF24Z1 radio transceiver is always operating in half-duplex (meaning bi-directional) mode.

3.2 Communication and data transfer principle

3.2.1 Data channel definition

To differentiate between audio data and other control- and status information, the data traffic between the ATX/ARX has been organized into two data channels, for the example used in this product specification.

The audio channel is defined as the communication channel sourcing audio data from the ATX to the ARX. The audio data is divided into two categories; real time data from the audio source and retransmitted audio information. When audio information is lost, the ARX requests retransmission of the lost packets. Real time audio bit rate is constant, whereas the amount of retransmitted audio varies over time.

The nRF24Z1 control channel is a two-way, low data rate channel superimposed on the audio stream. The audio transmitter is designated master, meaning that when an RF link is active, the 2-wire, SPI, GPIO and internal registers in the audio receiver can be seen and controlled as a virtual extension of the audio transmitters own I/O and registers. The implications of this is that external devices like audio DAC or volume control components connected to the audio receiver can be controlled by input to the ATX. User

actions (meaning push of a button) on the audio receiver side are similarly fed back to and can be processed on the audio-transmitter side.

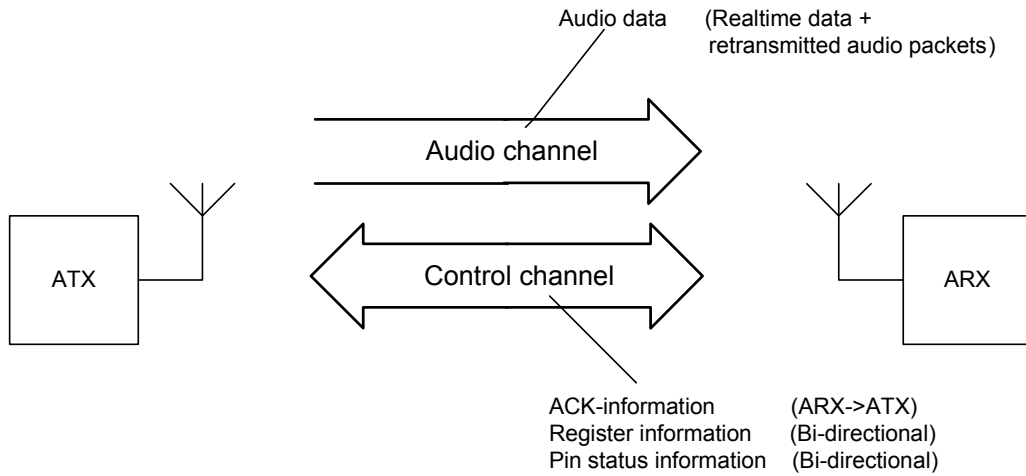


Figure 3. nRF24Z1 communication channel principle

3.2.2 Data flow- and organization

Figure 4. illustrates the communication principle of an nRF24Z1 wireless link. Data is transmitted from the ATX to the ARX on a cyclic basis.

ATX data is organized in frames transmitted with frequency $1/tp$. A data frame contains the real time audio data and retransmitted audio data requested by the ARX. Poor operating conditions (meaning excessive range and/or high amount of interference) will result in a higher amount of retransmitted audio data per frame.

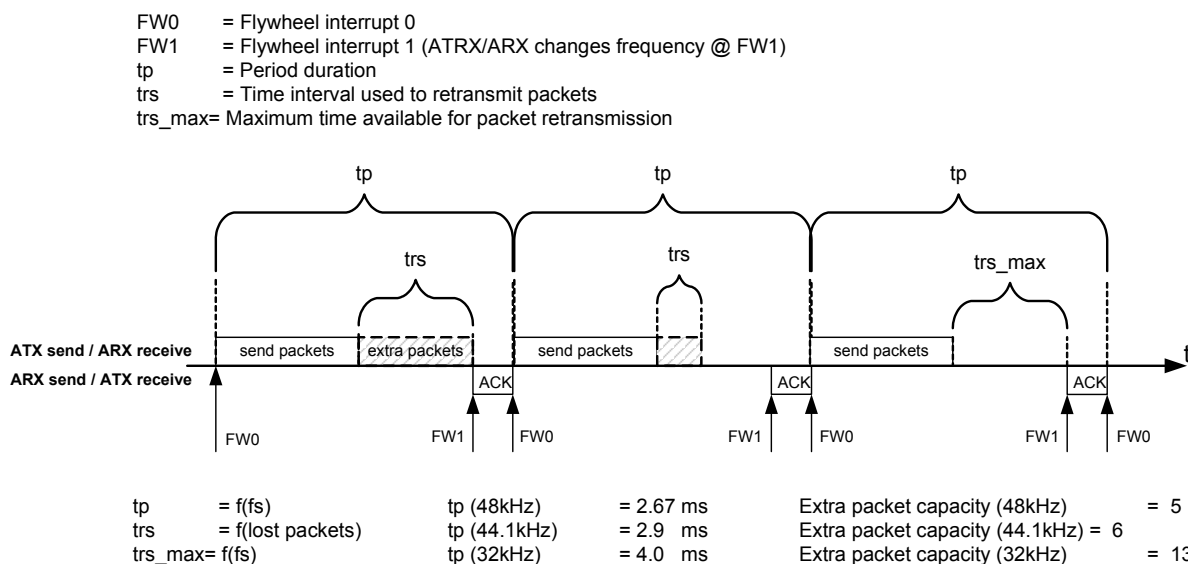


Figure 4. nRF24Z1 data streaming principle

Figure 4. also illustrates how period length, frame size and retransmission capacity vary with sample rate and time.

Audio data is organized in stereo samples (SS). The stereo samples are in turn organized in data packets consisting of 16 stereo samples. A data packet also contains preamble, recipient address, packet id, compression information, CRC-string and a limited amount of control and register data.

A data frame consists of a segment of real time data. In addition, the frame contains audio packets requested by the ARX for retransmission. The maximum number of packets for retransmission depends on the sample rate of choice.

When the ARX has received the data frame, an acknowledge packet is generated and sent to the ATX. This packet consists of acknowledge information (requesting retransmission of corrupt/lost packets) and control and status information.

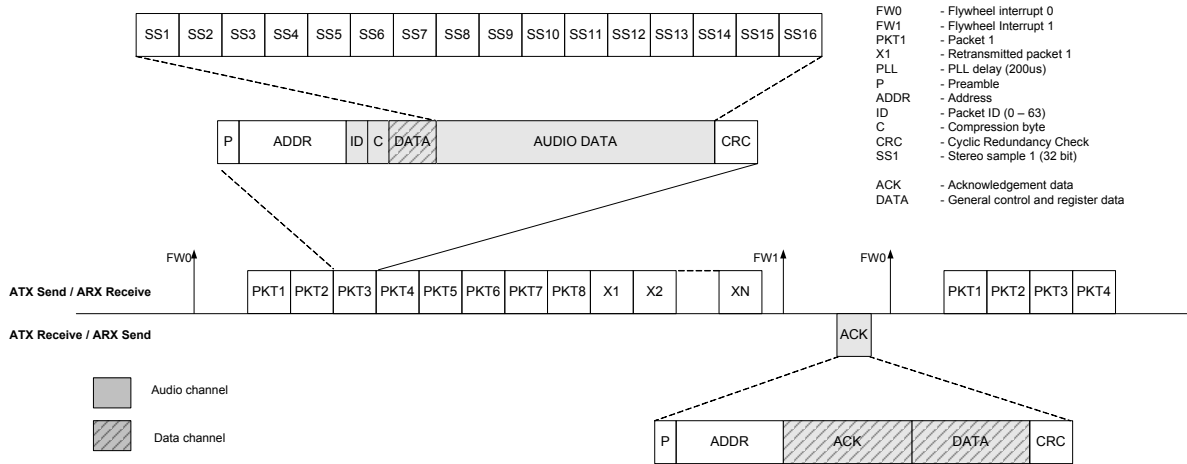


Figure 5. nRF24Z1 data frame and packet organization

3.3 Mode- and Interface alternatives

A number of interfaces are available for the nRF24Z1 device. The available interfaces depend on the nRF24Z1 mode of operation and the type of data to be transferred. Data is divided into two categories; audio data (audio channel) and configuration/status data (control channel). [Figure 5.](#) illustrates the available data interfaces for the various modes of operation.

Interface options are illustrated by grey bubbles, whilst functionality / operation modes are shown in white. Relevant configuration settings are shown in the links drawn between the bubbles. Note that interface choice is made by a combination of pin and register settings. Refer to chapter [6 on page 30](#) for details.

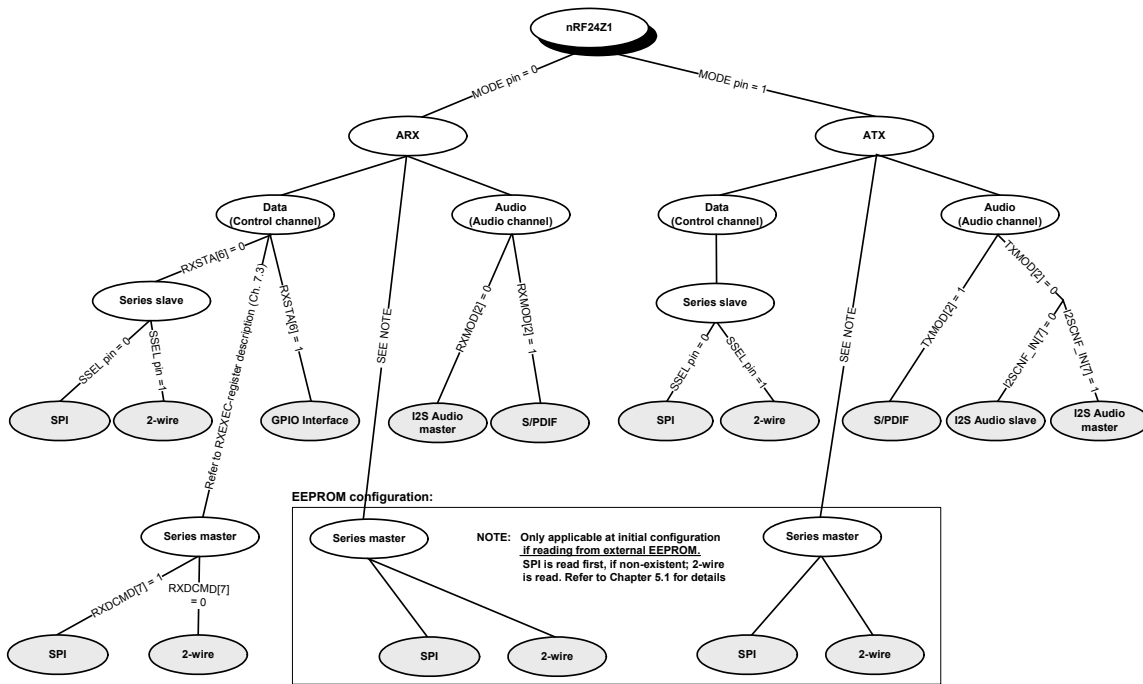


Figure 6. nRF24Z1 functional modes and interface alternatives

3.4 Audio transmitter (ATX)

When an nRF24Z1 is applied at the audio source side of the RF link, MODE must be high and nRF24Z1 becomes an audio transmitter (ATX). The block schematic of nRF24Z1 in ATX mode can be seen in [Figure 7. on page 15](#)

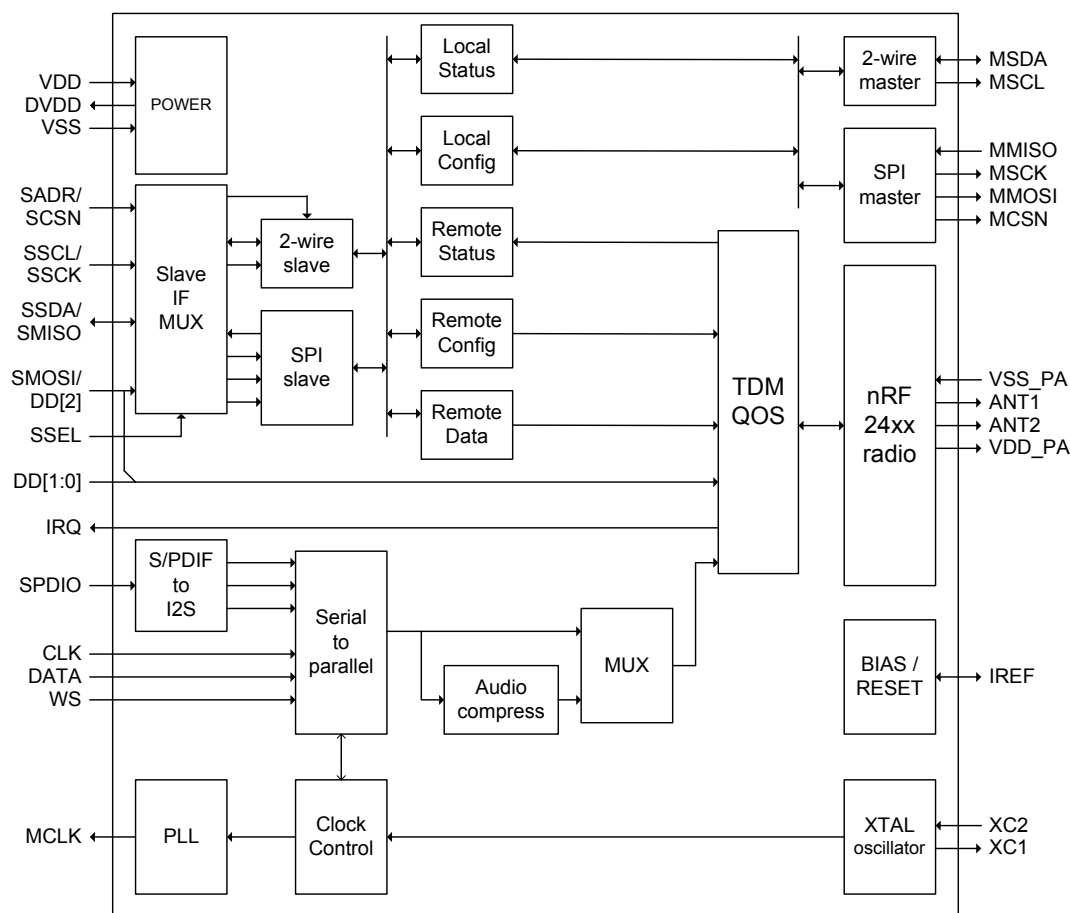


Figure 7. nRF24Z1 ATX mode block diagram

The I2S or S/PDIF interfaces can be used for audio data input.

3.4.1 I2S audio input

For seamless input from audio sources physically close to nRF24Z1, I2S is the preferred interface. The I2S interface consists of pins **CLK**, **DATA** and **WS**. This interface supports the three fundamental sampling rates 32, 44.1 and 48 kSPS plus these rates scaled by 0.5 or 0.25; yielding a total of nine sample rates : 8, 11.025, 12, 16, 22.05, 24, 32, 44.1 and 48 kSPS. Data may be in 16 or 24 bit format.¹ The nRF24Z1 can be configured to automatically detect the applied data rate.

I2S may be used with an external stereo ADC for analog audio sources. The nRF24Z1 offers a sampling rate clock (fS) of 256 times the audio fundamental sampling rate. The sample rate clock is available on the **MCLK** pin and may be used as system clock for the ADC.

1. Only 16-bit format can be transferred uncompressed within the available 1.54 Mbit/s data rate.

3.4.2 S/PDIF audio input

The ATX also offers a (CMOS level) S/PDIF input on pin `SPDIO`. This interface supports 32, 44.1 or 48 kSPS sampling rates with resolution of 16, 20 or 24 bit, as well as linear and nonlinear audio according to IEC standards. See section [3.4.2 on page 16](#) for details.

3.4.3 Serial control (slave) interfaces

When ATX is controlled by an external MCU, configuration and control data for the audio transmitter and the linked audio receiver may be entered through a 2-wire or SPI slave serial interface. The same interface is used for reading back status information. The register map is identical for both interfaces, but only one of the interfaces (selected by `SSEL` pin) may be used in a given application.

The two interfaces are:

- `SSEL = 0`; SPI (pins `SCSN`, `SSCK`, `SMISO`, `SMOSI`)
- `SSEL = 1`; 2-wire (pins `SADR`, `SSCL` and `SSDA`)

Pin `SADR` is not part of a standard 2-wire interface but selects one of two possible bus addresses for the nRF24Z1.

3.4.4 Master interfaces

For standalone operation of nRF24Z1, a serial EEPROM or FLASH memory may be connected to an SPI or 2-wire master interface. If a memory is present at any of these interfaces during power up or reset, the device will read default configuration data from the memory.

The SPI master is found on pins `MCSN`, `MMISO`, `MMOSI` and `MCK` and 2-wire master on pins `MSDA` and `MSCL`.

3.4.5 Direct data input pins

The ATX has two general purpose input pins, `DD[1:0]`. The status of these pins may be transmitted directly to the ARX without the use of an external MCU. When `SSEL` is set high (2-wire interface selected), an additional direct data pin (`DD[2]`) is available.

If the logic level on pins `DD[2:0]` are mirrored (copied) over the control channel, ARX pins `DO[2:0]` will output identical levels.

These pins may thus be used to switch on/off audio receiver peripherals without microprocessor activity.

3.4.6 Interrupt output

The nRF24Z1 can interrupt the external application through pin `IRQ` based on a number of sources (meaning no audio input detected, loss of RF communication and so on.)

Once `IRQ` has triggered external MCU, interrupt status can be read through the serial slave interface.

3.5 Audio Receiver (ARX)

When nRF24Z1 is put at the destination side of the RF link, MODE must be low and nRF24Z1 becomes the audio receiver (ARX). ARX can be configured with GPIO interface or slave interface. The respective block schematics of nRF24Z1 in ARX mode can be seen in [Figure 8.](#) and [Figure 9. on page 18](#) I2S or S/PDIF are now used for audio or other real time data output.

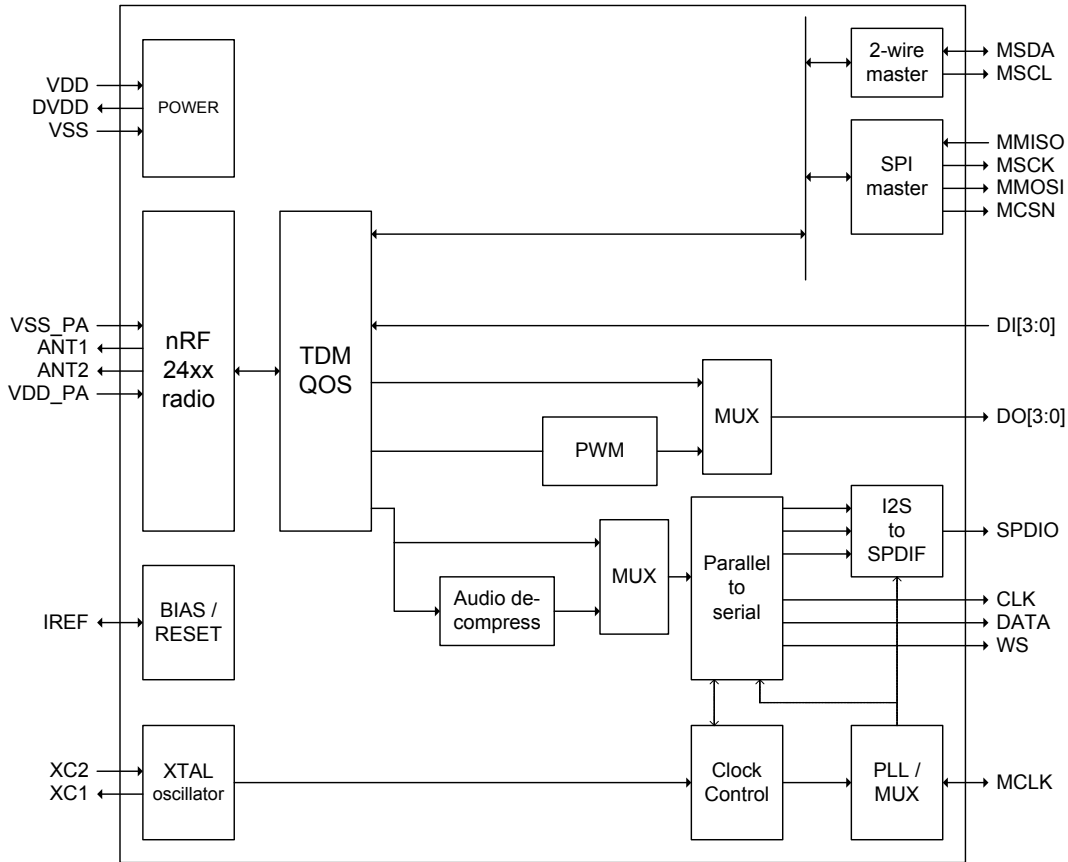


Figure 8. nRF24Z1 ARX mode with GPIO interface, block diagram

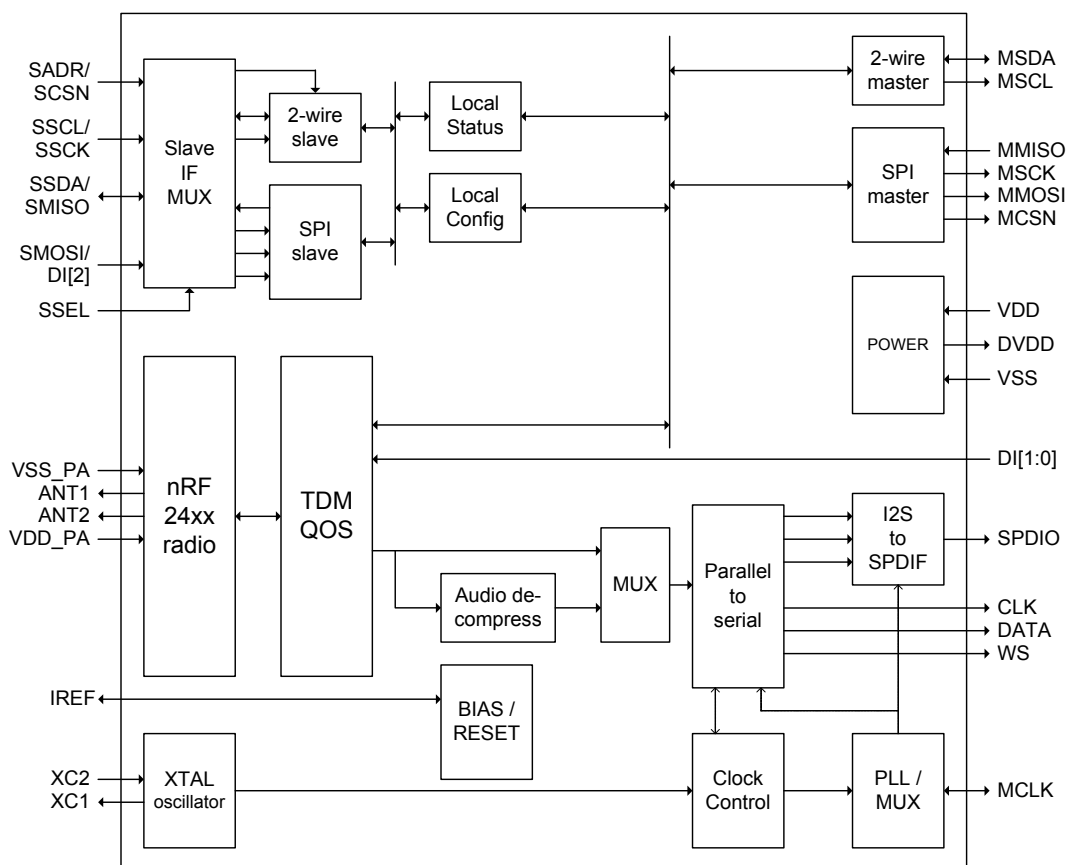


Figure 9. nRF24Z1 ARX mode with slave interface, block diagram

After a link has been established, you can control the SPI and 2-wire master on the ARX from the ATX. This feature enables the ATX to remotely control serial peripheral devices on the ARX (audio DACs, amplifiers and so on).

3.5.1 I2S audio output

Audio output to devices physically close to nRF24Z1 (typically a stereo DAC) are normally driven by the I2S output (pins **CLK**, **DATA** and **WS**). This interface supports the following sample rates: 8, 11.025, 12, 16, 22.05, 24, 32, 44.1 and 48 kSPS. Audio rate on the ATX and ARX side must be identical. Data are in 16-bit format.

In audio receiver mode, the **MCLK** pin provides a sampling rate clock (fS) for an external DAC that is 256 times the audio fundamental sampling rate.

3.5.2 S/PDIF audio output

The ARX provides an S/PDIF (full swing CMOS) output on pin **SPDIO**. This interface supports 32, 44.1 and 48 kSPS, 16 or 24 bit data. Both linear and nonlinear audio may be received according to IEC standards, see section [6.2.2 on page 31](#) for more information.

3.5.3 Master interfaces

A serial EEPROM or FLASH memory may be connected to an SPI or 2-wire master interface. If a memory is present at any of these interfaces during power up or reset, the nRF24Z1 will read default configuration data from that memory. If not, hard coded default values will be used.

During audio receiver configuration, the SPI master (pins **MMSCCK**, **MMISO**, **MMOSI**, **MCSN**) is operated at 1 MHz with the SPI format set to CPOL=0,CPHA=0 for EEPROM/FLASH compatibility. After a link has been established, the user may control the SPI master from the audio transmitter. The available clock speed is up to 8 MHz over the full operational range of the nRF24Z1.

During start-up, the audio receiver operates the 2-wire master (**MSDA**, **MSCL**) interface at 100 kHz. After a link has been established, you may control the 2-wire master from the audio transmitter to 100 kHz, 400 kHz or 1 MHz.

3.5.4 Serial control (slave) interfaces

When the ARX is controlled by an external MCU, configuration and control data for the audio receiver may be entered via a 2-wire or SPI slave serial interface. The same interface is used for reading back status information. The register map is identical for both interfaces, but only the interface selected by the **SSEL** pin may be used in a given application.

The two interfaces are:

- **SSEL** = 0; SPI (pins **SCSN**, **SSCK**, **SMISO**, **SMOSI**)
- **SSEL** = 1; 2-wire (pins **SADR**, **SSCL** and **SSDA**)

Pin **SADR** is not part of a standard 2-wire interface but selects one of two possible bus addresses for the nRF24Z1.

3.5.5 Parallel port and PWM

Alternatively to the serial slave interfaces, the **ARX** can be configured with an 8 bit parallel port, which can be controlled and read from the audio transmitter. The four input pins **DI[3:0]** are continuously monitored when a link is up. Changes on any of these inputs will be sent back to the audio transmitter where it can be accessed in a register (through the serial control interface). The audio receiver can also be programmed to wake up from power down mode upon a change of state on any of these pins.

There are four outputs **DO[3:0]** controlled from the audio transmitter. Pins **DO[1]** and **DO[3]** may be programmed for high current in order to drive application PCB LEDs or standard CMOS gates.

DO[3] may be programmed to provide a PWM signal, where the output duty cycle is programmable with 8-bit resolution from the audio transmitter. Note that this PWM cannot be used as an audio DAC.

The output pins **DO[3:0]** may also function as slave select signals if multiple slaves are present on the ARX SPI master bus.

3.6 Blocks and functionality common to the ATX and ARX

3.6.1 Crystal oscillator

The crystal oscillator will provide a stable reference frequency with low phase noise for the radio and audio functions. See the section [17.2 on page 78](#) for more detail.

3.6.2 Radio transceiver

The RF transceiver part of the circuit is a member of nRF24xx family of low-power highly integrated 2.4 GHz ShockBurst™ transceivers. The transceiver interface is optimized for high speed streaming of up to 4 Mbps. Output power and some radio protocol parameters can be controlled by the user through the Quality of Service (QoS) module.

3.6.3 Quality of Service (QoS) engine

The primary function of the QoS engine is to ensure robust communication between the ATX and the ARX in an audio streaming application.

Various data streams with different properties are handled. The available bandwidth is shared between audio data, service data and remote data.

Data integrity is ensured through a number of RF protocol features:

- Packets of data are organized in frames with each packet consisting of an RF address, payload and CRC.
- Packets that are lost or received with errors are handled by the error correction level of the quality of service engine; a two way, acknowledge protocol:
 - When a packet is received by ARX, it is registered and CRC is verified. After ARX has received a frame, it sends a packet back to ATX acknowledging the packets successfully transferred. Packets lost or received with errors, are re-transmitted from ATX in the next frame.
- The information (audio data) is dispersed over the 2.4 GHz band by use of an adaptive frequency hopping algorithm. This enables the nRF24Z1 link to cope with RF propagation challenges like reflections, multi-path fading and avoiding heavily trafficked areas of the 2.4 GHz band. Handling coexistence scenarios with other contemporary RF systems using the 2.4 GHz ISM band, is increasingly important.

The nRF24Z1 is constantly monitoring the quality of the RF link. Link quality information is available for external control devices in registers. nRF24Z1 can also be set to interrupt external controller devices upon poor link quality before the RF link is lost. An external controller device can take action to improve link quality or warn end user if RF link margins are poor.

The secondary function of the QoS module is to run a link initialization algorithm which manages initial connect and re-connect if link is lost (for example: out of range) between paired nRF24Z1s. Several schemes are available to enable nRF24Z1 connection without end-user involvement.

3.6.4 Audio compression/decompression

An optional low latency compression option is available as an alternative to streaming of uncompressed audio.

The compression option enables 24-bit samples to be compressed to a 16-bit format by removing the least significant bits in the samples. All samples in a packet are scaled to the same exponent.

3.6.5 Power supply regulators

The power section of nRF24Z1 offers linear regulated supply to all internal parts of the device. This makes the device very robust towards external voltage supply noise and isolates (audio) devices in an application from any noise generated by the nRF24Z1.

3.6.6 Bias reference/RESET

The **IREF** pin sets up the bias reference for the nRF24Z1 by use of an external resistor. Shorting **IREF** to **VDD** will reset the device. When **IREF** pin is released, nRF24Z1 runs a full configuration procedure.

4 Operation overview

4.1 Power on/RESET sequence

When a power supply voltage is connected, nRF24Z1 performs a power-on-reset. Reset is held until the supply voltage has been above the minimum supply voltage for a few milliseconds. Pulling **IREF** to **VDD** will also put the device into reset.

When reset (power on or IREF high) is released, the device needs to be configured. There are two alternatives for nRF24Z1 configuration:

Upon reset release, nRF24Z1 will look for an external EEPROM/FLASH memory connected to the SPI master interface. If such a memory is present, configuration data is loaded, which implies that registers values are read from the external memory. If no memory is present on the SPI master interface, the procedure is repeated on the 2-wire master interface. If no SPI EEPROM is connected, MMISO must have an external pull down resistor to ground. Data in the external memory device will override any initial contents of nRF24Z1 registers.

If no external memory is present:

An external micro processor must configure the nRF24Z1 ATX and ARX through the slave SPI or 2-wire serial interface, otherwise hard coded initial register contents are used.

Note: A combination of the two power-up sequences may be used. One likely scenario is that the ATX is configured by an external MCU and that the ARX is configured from an external EEPROM/FLASH memory device.

nRF24Z1 will then start a link initialization procedure based on the link configuration data. The value of the **MODE** pin determines whether it will be in ATX or ARX mode.

In case an external EEPROM or Flash memory is present, please note that no access to the 2-wire slave interface should be started until configuration data from EEPROM/Flash is read in by the nRF24Z1.

4.2 RF link initialization

The process of establishing a communication link between the ATX and the ARX is referred to as RF link initialization. This involves the ATX systematically probing the frequency band in search for an active ARX with the correct identity. Once found, the ATX/ARX are synchronized before audio transmission starts.

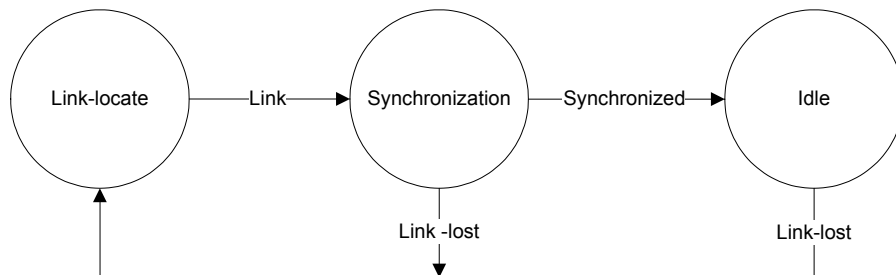


Figure 10. Link initialization algorithm

4.2.1 Idle state

The nRF24Z1 link initialization algorithm will be in idle state when a link is established. Once established, the frequency hopping engine is initiated and synchronized.

4.2.2 Link-locate state

If the link between ATX and ARX is broken, a special link-locate routine is initiated on both sides in order to re-establish the link. See [Figure 10. on page 22](#). During initialization, nRF24Z1 uses the NLCH first positions of the frequency hopping table.

4.2.2.1 Link-locate on ATX

The ATX tries to establish a link with ARX by iteratively sending short search packets on all available channels until an acknowledge signal is received from the ARX. The ATX will send one packet on each channel and wait for acknowledge for a time long enough to secure that the ARX has time to respond. The accumulated time used by the ATX while looping through all available channels, is defined as the ATX-loop-time. After receiving an acknowledge packet from the ARX, the ATX will enter the synchronization state as illustrated in [Figure 10. on page 22](#). The dwell time for linking (tDWEELL_L) is approximately 600 ms. The dwell time is defined as the time duration of which the ATX/ARX is active at a given frequency before changing frequency position.

4.2.2.2 Link-locate on ARX

The ARX tries to establish a link with the ATX by listening for incoming search packets on all available channels. When a search packet is received, the ARX will proceed by sending one acknowledge packet to confirm a feasible link. The ARX will listen for incoming search packets on each channel for a fixed time longer than the ATX-loop-time. This guarantees that at least one search packet gets through on each available channel used by the ARX, as long as this channel is not being occupied by another radio device. After sending the acknowledge packet, the ARX will enter the synchronization state. The dwell time is approximately $(NLCH+1) \times 600 \mu s$.

4.2.3 Synchronization state

This state synchronizes the frequency hopping engine on ATX and ARX, ensuring that both units follows the same hopping sequence. The initial start frequency is found in link-locate mode.

4.3 Audio channel

The input audio data can be one of the following common digital audio formats:

I2S (audio serial) interface:

- Left justified, I2S and right justified.

S/PDIF interface:

- Consumer Linear PCM Audio as described in IEC 60958-3. As the nRF24Z1 has a single ended CMOS interface, external adaptation circuitry is needed in order to fulfil the electrical requirements.

- Non-Linear PCM Audio as described in IEC 61937-1 (General) and IEC 61937-2 (Burst-info). The nRF24Z1 communication channel is transparent and is thus compatible with the audio compression algorithm formats described in IEC 61937-3 to 61937-7.

In the ATX, the input audio stream format is converted to the nRF24Z1 RF protocol and transferred over the air.

Upon reception in the ARX, the received data are validated and converted to the specified audio output format and fed to the corresponding audio output interface.

4.3.1 Audio receiver clock-rate recovery

Maintaining equal data rates on both sides of RF link is crucial in any RF system streaming true time data. This implies keeping the master clock frequency (MCLK) for the DAC on the receiving side, equal to the clock frequency used to feed data into the RF device on the transmitter side.

If these two clocks are not identical, the receiving end will either run out of samples for the DAC (ARX clock frequency > ATX clock frequency) or overflow (ARX clock frequency < ATX clock frequency), skipping samples.

This problem is solved in the nRF24Z1 device without the need for a tight tolerance crystal or extensive digital filtering.

As long as the nRF24Z1 QoS engine is able to maintain the RF link, the ARX locks its master clock output (MCLK) to the rate of the incoming audio stream. The MCLK signal on the ARX side is hence locked to the reference (crystal) of the device feeding audio data to the ATX, and *not* to the crystal of the nRF24Z1 ATX/ARX devices.

One exception; if the MCLK output option is used in the audio transmitter (meaning clocking an external ADC), the nRF24Z1 ATX crystal is the reference for the audio speed on the entire nRF24Z1 link.

4.4 Control channel

A 2-way, low bit rate, control and signalling channel is running in parallel with the audio stream. This control channel is a part of the QoS overhead, i.e. difference between on the air data rate (4 Mbit/s) and the nominal audio data rate 1.5 Mbit/s. Data channel rate can hence not be traded for higher audio data rate. The functionality of the control channel is illustrated in [Figure 11. on page 25.](#)

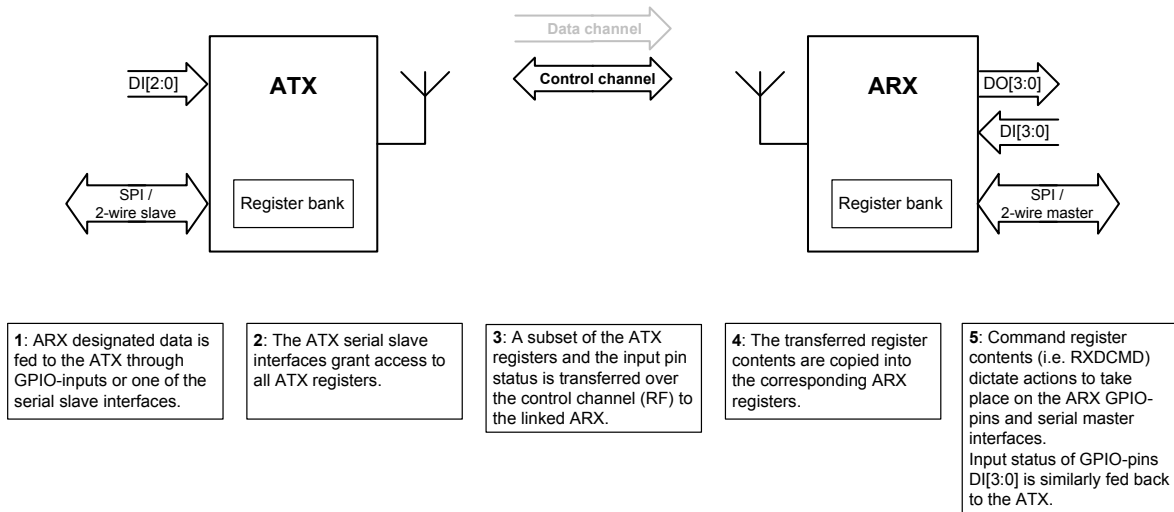


Figure 11. nRF24Z1 control channel transfer principle

Through the control channel the ATX has write access to a majority of registers which are related to ARX configuration. ATX can thereby access ARX GPIO (for LEDs and so on) and the ARX 2-wire and SPI master interface for configuring of DACs, volume control and other peripheral functions.

4.5 Power down mode

In power down mode, the QoS engine is shut down, and only a low frequency oscillator and some timers are active. A timer time-out or an external pin event can be used to exit power down mode. Once power down mode is aborted, the link initialization routine is initiated as described in section [4.2 on page 22](#).

The sleep and wake timers enable the nRF24Z1 to shut down on a cyclic basis if no transceiver counterpart is detected. The ARX may also be put out of power down mode by toggling a GPIO-pin.

5 nRF24Z1 register map

The nRF24Z1 control and status registers are listed in [Table 3. on page 28](#) and [Table 4. on page 29](#). The registers may be accessed by an external MCU via the slave interface (SPI or 2-wire). The registers are organized functionally into seven groups; ATX, Link and ARX control and status, Data link and Test registers. All registers are present both in audio transmitter and audio receiver.

The initial value of all registers are read from EEPROM (if present) immediately after reset, otherwise the initial values in [Table 3. on page 28](#).

5.1 Register access from the ATX side

If an MCU on the ATX side writes to a register, the corresponding ARX register is also updated if registers `TXCSTATE`, `LNKCSTATE`, `RXCSTAT`, `RXEXEC` are set. The ARX version of the register is updated through the control channel.

- Register `TXCSTATE` controls whether the ARX control registers are to be updated when writing to the ATX control registers (See [Table 3. on page 28](#)).
- Register `LNKCSTATE` controls whether the ARX link control registers are to be updated when writing to the Link control registers (See [Table 3. on page 28](#)).
- Register `RXCSTATE` controls whether the ARX control registers are to be updated when writing to the ARX control registers (See [Table 3. on page 28](#)).

See chapter [11 on page 67](#) for details on control register updating by use of the control channel. [Table 37. on page 68](#) describes the above register update control registers.

An MCU on the audio transmitter side can read all registers in the ATX. In addition, the link status, ARX status and data link registers may be read from the audio receiver via the data link.

5.2 Register access from the ARX side

If an MCU on the audio receiver side writes to a register, only the audio receiver version of the register is written. This implies that the ATX MCU will not know about it, but it can read back status register content through the data link.

An MCU on the audio receiver side can read all registers on its side, but it cannot read anything through the data link.

In brief, the ARX MCU only has local access, whereas the ATX MCU controls the data link.

Address Hex	Register	R/W	Initial Hex	Description
ATX registers				
0x01	TXSTA	R/W	0x80	Table 8. on page 33
0x75	TXDD	R	0x00	Table 19. on page 46
0x02	INTSTA	R/W	0x00	Table 33. on page 60
0x5A	TXMOD	R/W	0x00	Table 10. on page 34
0x51	TXFMT	R/W	0x00	Table 9. on page 34
0x52	TXLAT	R/W	0x00	Table 31. on page 58
0x53	INTCF	R/W	0x00	Table 33. on page 60
0x54	I2SCNF_IN	R/W	0x00	Table 11. on page 35
0x56	TXPWR	R/W	0x00	Table 32. on page 59
0x57 - 0x58	TXSTI[0:1]	R/W	0x00	Table 36. on page 65
0x59	TXWTI	R/W	0x00	Table 36. on page 65
0x4D	TXLTI	R/W	0x00	Table 36. on page 65
0x50	TXRESO	R/W	0x00	Table 34. on page 62
0x5B	TXCSTATE	R/W	0x00	Table 37. on page 68
LINK status registers				
0x03	LNKSTA	R/W	0x00	Table 30. on page 58
0x04	LNKQ	R	0x00	Table 29. on page 57
0x05	LNKERR	R	0x00	Table 29. on page 57
LINK control registers				
0x0C- 0x31	CH[0:37]	R/W	0x00	Table 27. on page 55
0x33	NBCH	R/W	0x00	Table 28. on page 56
0x34	NACH	R/W	0x00	Table 28. on page 56
0x35	NLCH	R/W	0x00	Table 28. on page 56
0x36	LNKMOD	R/W	0x00	Table 30. on page 58
0x37	LNKWITH	R/W	0x00	Table 29. on page 57
0x38	LNKETH	R/W	0x00	Table 29. on page 57
0x39-0x3D	ADDR[0:4]	R/W	0x00	Table 26. on page 53

Address Hex	Register	R/W	Initial Hex	Description
0x3E	LNKSTATE	R/W	0x00	Table 30. on page 58
ARX status registers				
0x06	RXSTA	R	0x00	Table 20. on page 48
0x07	RXPIN	R	0x00	Table 22. on page 49
ARX control registers				
0x4A	RXMOD	R/W	0x00	Table 12. on page 36
0x41	RXPPIO	R/W	0x00	Table 24. on page 50
0x42	RXPWME	R/W	0x00	Table 25. on page 50
0x43	RXPWMD	R/W	0x00	Table 25. on page 50
0x44	I2SCNF_OUT	R/W	0x00	Table 12. on page 36
0x45	RXWAKE	R/W	0x00	Table 35. on page 64
0x49	RXPWR	R/W	0x00	Table 32. on page 59
0x46 - 0x47	RXSTI[0:1]	R/W	0x00	Table 36. on page 65
0x48	RXWTI	R/W	0x00	Table 25. on page 50
0x4C	RXLTI	R/W	0x00	Table 25. on page 50
0x40	RXRESO	R/W	0x00	Table 34. on page 62
0x4B	RXCSTATE	R/W	0x00	Table 37. on page 68
Data link registers				
0x70	RXDCMD	R/W	0x00	Table 14. on page 40
0x71	RXWCNT	R/W	0x00	Table 15. on page 41
0x72	RXRCNT	R/W	0x00	
0x60-0x6f	RXBUF	R/W	0x00	
0x74	RXEXEC	R/W	0x00	
Test registers				
0x7E	TESTREG	R/W	0x00	Table 40. on page 70
0x7F	TESTCH	R/W	0x00	
0x7D	REVBYT	R	0x20 ¹	Revision byte

1. REVBYT value is 0x20 for nRF24Z1 versions B and C.

Table 3. nRF24Z1 register listing

5.3 Register map in external EEPROM

[Table 4.](#) shows the layout of the first few bytes of the EEPROM image.

Byte number	7	6	5	4	3	2	1	0
0	Reserved (must be 0000 0011)							
1	Reserved (must be 0000 0000)							
2	Reserved (must be 0000 0000)							
3	Value of register address 0x00							
4	Value of register address 0x01							
...	...							
127	Value of register address 0x7C							

Table 4. EEPROM layout

Bytes 3 to 127 are used to set initial values into all nRF24Z1 registers. The initial value of nRF24Z1 register address n, must be put in EEPROM byte n+3.

Registers 0x7D to 0x7F are *not* read from the EEPROM. The minimum EEPROM size is thus 128 bytes.

Designated EEPROM 2-wire slave address is 0xA0 for write and 0xA1 for read operations.

See the section [3.4.4 on page 16](#) for an EEPROM interface description.

6 Digital I/O

This chapter describes the digital I/O pins, control registers and important interface timing of the nRF24Z1.

The digital I/O pins are divided into three groups:

- Audio interfaces
- Serial master interfaces
- Control and GPIO interfaces

6.1 Digital I/O behavior during RESET

During reset, all digital pins, except the master SPI interface output pins, are set as inputs to avoid driving conflicts with external devices. The master SPI pins; **MCSN**, **MSCK** and **MMOSI** are set to output high state. This sets the SPI interface to inactive state, ready to read the EEPROM configuration data clocked in immediately after reset. All pins will maintain their respective directions until any of the configuration read routines described in section [4.1 on page 22](#) is completed. The I/O pins are then set according to the new configuration data.

6.2 Audio interfaces

The audio interfaces consist of the I2S and S/PDIF interfaces plus the **MCLK** pin.

Pin name	Function
CLK	Bit clock
WS	Word sync clock
DATA	Audio data
MCLK	256×audio fundamental sample rate output
SPDIO	S/PDIF serial input or output. See section 6.2.2 on page 31 .

Table 5. Serial audio port pins

6.2.1 I2S Audio Interface

The nRF24Z1 has a three-wire serial audio interface which can be configured to be compatible with various serial audio formats. In ATX mode, the audio interface is in slave or master input mode. In ARX

mode, the audio interface is in master output mode. The audio interface consists of six pins in total, see [Table 5. on page 30.](#)

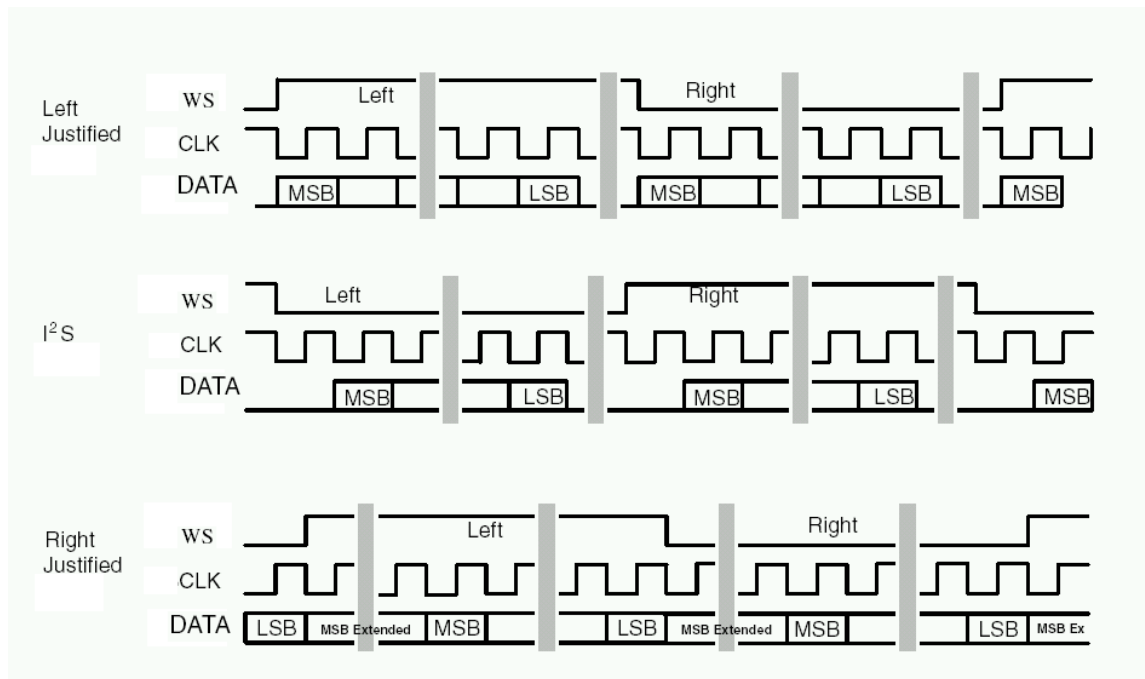


Figure 12. Serial audio formats I2S, left- and right justified

Audio format	I2SCNF[3:0] value
Left justified	0xA
I2S	0x0
Right Justified	0xB

Table 6. I2SCNF settings for three common serial audio formats (applies to I2SCNF_IN and I2SCNF_OUT registers)

See also [Table 11. on page 35](#) and [Table 12. on page 36.](#)

6.2.2 S/PDIF Audio Interface

nRF24Z1 supports the following S/PDIF interface formats:

- Consumer Linear PCM Audio described in IEC 60958-3. Due to the single ended CMOS interface of the nRF24Z1, external adaptation circuitry is needed in order to fulfil the electrical requirements.
- Non-Linear PCM Audio, as described in IEC 61937-1 (General) and IEC 61937-2 (Burst-info). The nRF24Z1 is transparent to the specific audio compression algorithms used, transferring 16 bits of each audio sample from the ATX to the ARX. In addition, the 32 first bits of channel status information is transferred (but none of the other S/PDIF aux/data bits).

The S/PDIF valid bit is not transferred, and is always output as 0 (zero).

Only one of the audio interfaces can be active at any time. The active audio interface for ATX is set by bit 2 in register `TXMOD` (`TXMOD[2] = 0`; I2S, is the default value, see [Table 11. on page 35](#). ARX audio interface is set by bit 2 in register `RXMOD`.

6.2.3 Audio interface functionality

The functionality and direction of the pins in the audio interfaces are listed in [Table 7](#).

Pin no	Pin name	ARX (MODE=0)				ATX (MODE=1)				
		I2S (TXMOD[2]=0)		S/PDIF (TXMOD[2]=1)		I2S (TXMOD[2]=0)			S/PDIF (TXMOD[2]=1)	
		Function	Direction	Function	Direction	Function	Audio slave direction	Audio master direction	Function	Direction
10	CLK	CLK	OUT	X	IN	CLK	IN	OUT	X	IN
11	WS	WS	OUT	X	IN	WS	IN	OUT	X	IN
12	DATA	DATA	OUT	X	IN	DATA	IN	IN	X	IN
13	SPDIO	X	IN	SPDIO	OUT	X	IN	IN	SPDIO	IN
		RESET ¹	OUT			RESET ¹	OUT	OUT		
14	MCLK	MCLK	OUT	X	OUT	MCLK	OUT	OUT	X	OUT

1. If S/PDIF is not used for audio, the `SPDIO` pin can be used as RESET (output) to external devices. See chapter [9 on page 62](#) for detail.

Table 7. nRF24Z1 operational modes and audio interface pin functions

6.2.4 ATX audio interface control

In audio slave mode (see `I2SCNF_IN` bit 7), the ATX may be configured for automatic detection of the sampling rate of the input audio from an external master on the I2S interface (exception being 16 kSPS²), or the sampling rate can be set into register `TXSTA`.

In audio master mode the sampling rates must be set in register `TXSTA`, and 16 kSPS is not allowed.

S/PDIF audio rate is always auto detected, but `TXMOD` bits 1:0 must be set.

Register `TXSTA` contains the detected data rate status for optional read back to an external MCU.

2. Auto detect of 16kSPS sampling rate is not supported in ATX audio slave mode, but can be used without auto detect enabled. Example : setting `TXSTA=0x31` and `I2SCNF_IN.7=0` is illegal, but `TXSTA=0x30` and `I2SCNF_IN.7=0` is allowed. And for ATX audio master mode, `TXSTA=0x30` and `I2SCNF_IN.7=1` is not allowed.

Address Hex	Register	R/W	Description	
0x01	TXSTA	R/W	ATX audio input rate register	
			Bit	Interpretation
			7	Reserved
			6:5	Audio rate scale factor (I2S only) if TXSTA bit 0 is set : audio rate is auto detected by hardware if TXSTA bit 0 is not set : audio rate must be set by user
			00	0.25
			01	0.5
			10	1
			11	Reserved
			4:3	Audio fundamental rate if TXSTA bit 0 is set : audio rate is auto detected by hardware if TXSTA bit 0 is not set : audio rate must be set by user
			00	48 kSPS
			01	44.1 kSPS
			10	32 kSPS
			11	Illegal or no input detected
2:1	Reserved			
0	Value	Description		
	1	Audio input rate is auto detected by hardware		
	0	Audio input rate must be set by user		

Table 8. Audio input status register

New values in TXSTA will take effect after the ATX and ARX have been reconfigured, this is done by setting LNKMOD[4] = 1.

By default, nRF24Z1 transfers uncompressed audio, but may optionally transfer compressed audio data. Data compression enables transfer of 24 bit audio, which uncompressed would exceed the available radio bandwidth. Data rate reduction also reduces overall current consumption. Data compression is based on removal of sample LSBs.

Consider an example with the 24 to 16 bit compression principle. If the sample values within a packet are within +/- 200000, then 3 LSBs are removed. If the sample values in the consecutive packet are within +/- 60000, only 1 LSB is removed. In effect, the number of LSBs truncated varies dynamically with maximum sample value for each packet, limiting the relative error.

Address Hex	Register	R/W	Description								
0x51	TXFMT	R/W	Transmit data format <table border="1"> <thead> <tr> <th>Value</th> <th>Interpretation</th> </tr> </thead> <tbody> <tr> <td>0</td> <td>16 bit linear PCM</td> </tr> <tr> <td>1</td> <td>24 bit linear companded to 16 bit</td> </tr> <tr> <td>other</td> <td>Reserved, MBZ</td> </tr> </tbody> </table>	Value	Interpretation	0	16 bit linear PCM	1	24 bit linear companded to 16 bit	other	Reserved, MBZ
Value	Interpretation										
0	16 bit linear PCM										
1	24 bit linear companded to 16 bit										
other	Reserved, MBZ										

Table 9. TXFMT register

New values in TXFMT take effect after ATX and ARX are reconfigured, this is done by setting LNKMOD[4] = 1.

The Audio interfaces in ATX mode are controlled by the registers listed in [Table 11. on page 35](#) and [Table 12. on page 36](#).

Address Hex	Register	R/W	Description																						
0x5A	TXMOD	R/W	Audio transmitter modes of operation <table border="1"> <tbody> <tr> <td>7</td> <td>RF transceiver enable</td> </tr> <tr> <td>6</td> <td>Audio transmitter power down</td> </tr> <tr> <td>5</td> <td>Enable wakeup on changing DD[1]</td> </tr> <tr> <td>4</td> <td>Reserved, MBZ</td> </tr> <tr> <td>3</td> <td>Enable direct data from pins DD[2:0]. DD[2] is only available if SSEL=1.</td> </tr> <tr> <td>2</td> <td>S/PDIF enable (default input is I2S)*</td> </tr> <tr> <td>1:0</td> <td>MCLK output control*</td> </tr> <tr> <td>00</td> <td>MCLK off (logic 0)</td> </tr> <tr> <td>01</td> <td>Output 256 × 48 kSPS</td> </tr> <tr> <td>10</td> <td>Output 256 × 44.1 kSPS</td> </tr> <tr> <td>1</td> <td>Output 256 × 32 kSPS</td> </tr> </tbody> </table>	7	RF transceiver enable	6	Audio transmitter power down	5	Enable wakeup on changing DD[1]	4	Reserved, MBZ	3	Enable direct data from pins DD[2:0]. DD[2] is only available if SSEL=1.	2	S/PDIF enable (default input is I2S)*	1:0	MCLK output control*	00	MCLK off (logic 0)	01	Output 256 × 48 kSPS	10	Output 256 × 44.1 kSPS	1	Output 256 × 32 kSPS
7	RF transceiver enable																								
6	Audio transmitter power down																								
5	Enable wakeup on changing DD[1]																								
4	Reserved, MBZ																								
3	Enable direct data from pins DD[2:0]. DD[2] is only available if SSEL=1.																								
2	S/PDIF enable (default input is I2S)*																								
1:0	MCLK output control*																								
00	MCLK off (logic 0)																								
01	Output 256 × 48 kSPS																								
10	Output 256 × 44.1 kSPS																								
1	Output 256 × 32 kSPS																								

* IMPORTANT NOTICE: For S/PDIF audio input, the MCLK output is disabled. However the MCLK control value TXMOD[1:0] must generally be set to the expected sampling rate. This is mandatory if 32 kSPS sampling rate is expected, and recommended otherwise.

Table 10. ATX audio input control register TXMOD

Address Hex	Register	R/W	Description																																								
0x54	I2SCNF_IN	R/W	I2S interface configuration (on ATX side). <table border="1" style="width: 100%; border-collapse: collapse;"> <tr> <td style="text-align: center;">7</td> <td>I2S audio in clock mode</td> </tr> <tr> <td style="text-align: center;">0</td> <td>Slave mode, WS,CLK,DATA are input</td> </tr> <tr> <td style="text-align: center;">1</td> <td>Master mode, WS,CLK are output, DATA is input</td> </tr> <tr> <td style="text-align: center;">6</td> <td>Reserved, MBZ</td> </tr> <tr> <td style="text-align: center;">5:4</td> <td>Sample length</td> </tr> <tr> <td style="text-align: center;">00</td> <td>16-bit samples</td> </tr> <tr> <td style="text-align: center;">10</td> <td>24-bit samples</td> </tr> <tr> <td style="text-align: center;">other</td> <td>Reserved</td> </tr> <tr> <td style="text-align: center;">3</td> <td>WS Polarity</td> </tr> <tr> <td style="text-align: center;">0</td> <td>WS=0: Left sample</td> </tr> <tr> <td style="text-align: center;">1</td> <td>WS=1: Left sample</td> </tr> <tr> <td style="text-align: center;">2</td> <td>Data to Bit Clock relation (data valid at clock edge)</td> </tr> <tr> <td style="text-align: center;">0</td> <td>Rising Edge</td> </tr> <tr> <td style="text-align: center;">1</td> <td>Reserved</td> </tr> <tr> <td style="text-align: center;">1</td> <td>WS to MSB delay</td> </tr> <tr> <td style="text-align: center;">0</td> <td>1 clock cycle</td> </tr> <tr> <td style="text-align: center;">1</td> <td>0 clock cycles</td> </tr> <tr> <td style="text-align: center;">0</td> <td>Audio word justification</td> </tr> <tr> <td style="text-align: center;">0</td> <td>Left justified</td> </tr> <tr> <td style="text-align: center;">1</td> <td>Right justified</td> </tr> </table>	7	I2S audio in clock mode	0	Slave mode, WS,CLK,DATA are input	1	Master mode, WS,CLK are output, DATA is input	6	Reserved, MBZ	5:4	Sample length	00	16-bit samples	10	24-bit samples	other	Reserved	3	WS Polarity	0	WS=0: Left sample	1	WS=1: Left sample	2	Data to Bit Clock relation (data valid at clock edge)	0	Rising Edge	1	Reserved	1	WS to MSB delay	0	1 clock cycle	1	0 clock cycles	0	Audio word justification	0	Left justified	1	Right justified
7	I2S audio in clock mode																																										
0	Slave mode, WS,CLK,DATA are input																																										
1	Master mode, WS,CLK are output, DATA is input																																										
6	Reserved, MBZ																																										
5:4	Sample length																																										
00	16-bit samples																																										
10	24-bit samples																																										
other	Reserved																																										
3	WS Polarity																																										
0	WS=0: Left sample																																										
1	WS=1: Left sample																																										
2	Data to Bit Clock relation (data valid at clock edge)																																										
0	Rising Edge																																										
1	Reserved																																										
1	WS to MSB delay																																										
0	1 clock cycle																																										
1	0 clock cycles																																										
0	Audio word justification																																										
0	Left justified																																										
1	Right justified																																										

Table 11. ATX audio input control register *I2SCNF_IN*

6.2.5 ARX audio interface control

In ARX mode the audio interfaces are controlled by registers 0x4A and 0x44 listed below.

Address Hex	Register	R/W	Description																																
0x4A	RXMOD	R/W	Audio receiver modes of operation <table border="1"> <thead> <tr> <th>Bit</th> <th>Interpretation</th> </tr> </thead> <tbody> <tr> <td>7</td> <td>Audio receiver power down</td> </tr> <tr> <td>6</td> <td>Reserved, MBZ</td> </tr> <tr> <td>5</td> <td>RF transceiver enable</td> </tr> <tr> <td>4</td> <td>Reserved, MBZ</td> </tr> <tr> <td>3</td> <td>Reserved, MBZ</td> </tr> <tr> <td>2</td> <td>S/PDIF enable</td> </tr> <tr> <td>1:0</td> <td>Reserved, MBZ</td> </tr> </tbody> </table>	Bit	Interpretation	7	Audio receiver power down	6	Reserved, MBZ	5	RF transceiver enable	4	Reserved, MBZ	3	Reserved, MBZ	2	S/PDIF enable	1:0	Reserved, MBZ																
Bit	Interpretation																																		
7	Audio receiver power down																																		
6	Reserved, MBZ																																		
5	RF transceiver enable																																		
4	Reserved, MBZ																																		
3	Reserved, MBZ																																		
2	S/PDIF enable																																		
1:0	Reserved, MBZ																																		
0x44	I2SCNF_OUT	R/W	I2S interface configuration for audio output (ARX side). <table border="1"> <thead> <tr> <th>Bit</th> <th>Interpretation</th> </tr> </thead> <tbody> <tr> <td>7</td> <td>Reserved, MBZ</td> </tr> <tr> <td>6</td> <td>Mute sound output</td> </tr> <tr> <td>5:4</td> <td>Reserved MBZ</td> </tr> <tr> <td>3</td> <td>WS Polarity <table border="1"> <tbody> <tr> <td>0</td> <td>WS=0: Left sample</td> </tr> <tr> <td>1</td> <td>WS=1: Left sample</td> </tr> </tbody> </table> </td> </tr> <tr> <td>2</td> <td>Data to Bit Clock relation (data valid at clock edge) <table border="1"> <tbody> <tr> <td>0</td> <td>Rising edge</td> </tr> <tr> <td>1</td> <td>Falling edge</td> </tr> </tbody> </table> </td> </tr> <tr> <td>1</td> <td>WS to MSB delay <table border="1"> <tbody> <tr> <td>0</td> <td>1 clock cycle</td> </tr> <tr> <td>1</td> <td>0 clock cycles</td> </tr> </tbody> </table> </td> </tr> <tr> <td>0</td> <td>Audio word justification <table border="1"> <tbody> <tr> <td>0</td> <td>Left justified</td> </tr> <tr> <td>1</td> <td>Right justified</td> </tr> </tbody> </table> </td> </tr> </tbody> </table>	Bit	Interpretation	7	Reserved, MBZ	6	Mute sound output	5:4	Reserved MBZ	3	WS Polarity <table border="1"> <tbody> <tr> <td>0</td> <td>WS=0: Left sample</td> </tr> <tr> <td>1</td> <td>WS=1: Left sample</td> </tr> </tbody> </table>	0	WS=0: Left sample	1	WS=1: Left sample	2	Data to Bit Clock relation (data valid at clock edge) <table border="1"> <tbody> <tr> <td>0</td> <td>Rising edge</td> </tr> <tr> <td>1</td> <td>Falling edge</td> </tr> </tbody> </table>	0	Rising edge	1	Falling edge	1	WS to MSB delay <table border="1"> <tbody> <tr> <td>0</td> <td>1 clock cycle</td> </tr> <tr> <td>1</td> <td>0 clock cycles</td> </tr> </tbody> </table>	0	1 clock cycle	1	0 clock cycles	0	Audio word justification <table border="1"> <tbody> <tr> <td>0</td> <td>Left justified</td> </tr> <tr> <td>1</td> <td>Right justified</td> </tr> </tbody> </table>	0	Left justified	1	Right justified
Bit	Interpretation																																		
7	Reserved, MBZ																																		
6	Mute sound output																																		
5:4	Reserved MBZ																																		
3	WS Polarity <table border="1"> <tbody> <tr> <td>0</td> <td>WS=0: Left sample</td> </tr> <tr> <td>1</td> <td>WS=1: Left sample</td> </tr> </tbody> </table>	0	WS=0: Left sample	1	WS=1: Left sample																														
0	WS=0: Left sample																																		
1	WS=1: Left sample																																		
2	Data to Bit Clock relation (data valid at clock edge) <table border="1"> <tbody> <tr> <td>0</td> <td>Rising edge</td> </tr> <tr> <td>1</td> <td>Falling edge</td> </tr> </tbody> </table>	0	Rising edge	1	Falling edge																														
0	Rising edge																																		
1	Falling edge																																		
1	WS to MSB delay <table border="1"> <tbody> <tr> <td>0</td> <td>1 clock cycle</td> </tr> <tr> <td>1</td> <td>0 clock cycles</td> </tr> </tbody> </table>	0	1 clock cycle	1	0 clock cycles																														
0	1 clock cycle																																		
1	0 clock cycles																																		
0	Audio word justification <table border="1"> <tbody> <tr> <td>0</td> <td>Left justified</td> </tr> <tr> <td>1</td> <td>Right justified</td> </tr> </tbody> </table>	0	Left justified	1	Right justified																														
0	Left justified																																		
1	Right justified																																		

Table 12. ARX audio interface control registers

RXMOD is automatically sent from the ARX to the ATX during the link-locate procedure.

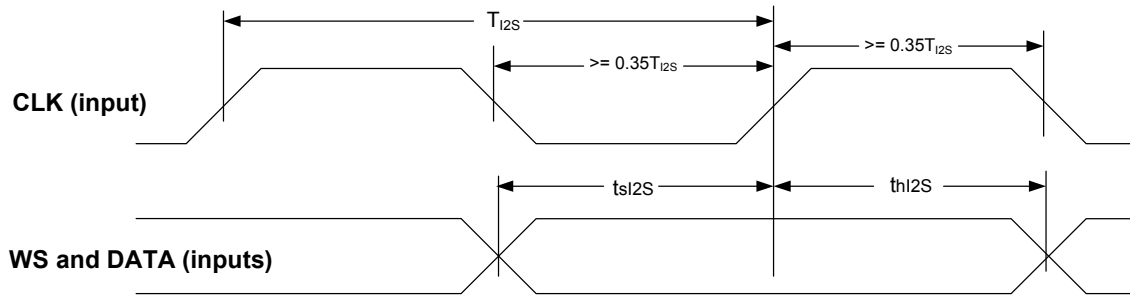
New values in I2SCNF_OUT take effect after ATX and ARX are reconfigured. This is done by setting LNKMOD[4] to “1”, except bit 6 MUTE which takes effect immediately after being received by the ARX. Note that MUTE forces the audio output sample values to zero instantly without any filtering.

Note that the ARX registers can be accessed by the audio transmitter through the control channel.

6.2.6 I2S Audio interface timing

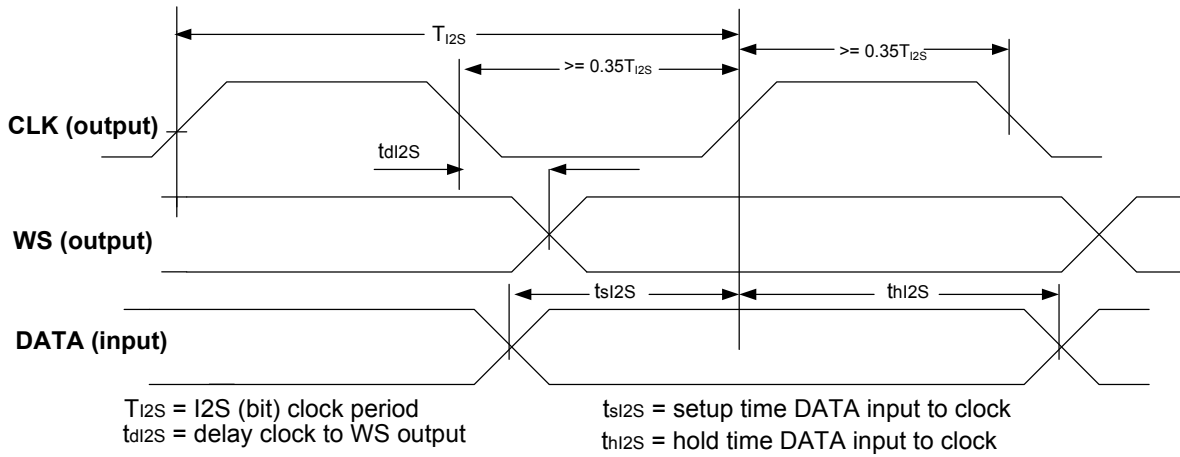
6.2.6.1 I2S input (ATX) timing

The I2S input protocol may be configured in register I2SCNF_IN to handle various I2S formats. The interface will automatically detect sample size and word length for the most common formats. This section describes the detailed bit-, clock- and word timing requirements for audio slave and audio master mode (as set by I2SCNF_IN.7).



T_{I2S} = I2S (bit) clock period
 t_{sl2S} = setup time WS and DATA inputs to clock
 t_{hl2S} = hold time WS and DATA inputs to clock

Figure 13. I2S input timing in audio slave mode ($I2SCNF_IN[7]=0$)



T_{I2S} = I2S (bit) clock period
 t_{dI2S} = delay clock to WS output
 t_{sl2S} = setup time DATA input to clock
 t_{hl2S} = hold time DATA input to clock

Figure 14. I2S input timing in audio master mode ($I2SCNF_IN[7]=1$)

6.2.6.2 I2S output (ARX) timing

The I2S output protocol is configurable in register I2SCNF_OUT and is compatible with most I2S DACs and CODECs.

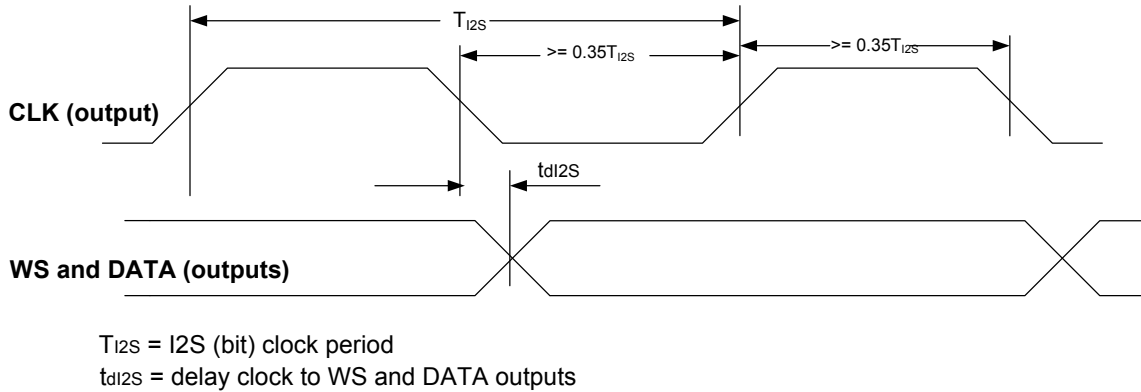


Figure 15. I2S output timing

6.3 Serial master interfaces

The nRF24Z1 serial master interface contains an SPI and a 2-wire master interface available at all times.

After RESET, the nRF24Z1 will search for a serial memory on the SPI master interface. If no memory is present, the process is repeated on the 2-wire interface. If no external memories are found, it is assumed that an external microcontroller is used to configure the device. The nRF24Z1 will then be idle until MCU based configuration is initiated over one of the slave control interfaces. Link initialization will start as soon as the necessary control register bits are set.

During configuration, the SPI master is operated at 1 MHz. SPI format is CPOL=0, CPHA=0 as used by industry standard EEPROM/FLASH memories.

The nRF24Z1 is protocol compatible with SPI memory with sizes ranging from 1 Kbyte to 64 Kbytes with 16-bit sub-address used.

The connected slave(s) determines the protocol on the 2-wire master interface. During configuration, nRF24Z1 is protocol compatible with industry standard 2-wire memories. Memory size may range from 128 bytes to 4 Kbytes (with three address pins and one byte sub-address used). Designated slave address is 0xA0 for write and 0xA1 for read operations. During configuration this interface is operated at 100 kHz, compatible with most serial 2-wire memories.

The pin out and functionality of the serial master I/O pins are shown in [Table 13](#).

Pin no	Pin name	ARX (MODE=0)				ATX (MODE=1)			
		2-wire interface RXDCMD[7] = 0		SPI RXDCMD[7] = 1		2-wire interface 2-wire EEPROM		SPI SPI EEPROM	
		Function	Direction	Function	Direction	Function	Direction	Function	Direction
27	MSDA	MSDA	IN/OUT	X	IN	MSDA	IN/OUT	X	IN
				RESET ¹	OUT			RESET	OUT
28	MSCL	MSCL	IN/OUT	X	IN	MSCL	IN/OUT	X	IN
29	MSCN	MSCN	OUT	MSCN	OUT	MSCN	OUT	MSCN	OUT
30	MMISO	X	IN	MMISO	IN	X	IN	MMISO	IN
31	MMOSI	X	IN	MMOSI	OUT	X	IN	MMOSI	OUT
		RESET ¹	OUT			RESET ¹	OUT		
35	MSCK	X	IN	MSCK	OUT	X	IN	MSCK	OUT

1. A pin in the serial interface NOT being used for external memory and/or controlling external circuitry can be configured to act as reset for external devices (like ADC/DAC). Refer to chapter [9 on page 62](#) for further details.

Table 13. Serial masters functionality

The ATX master interfaces may only be used for initial configuration. The ARX interfaces become an extension of the ATX interface through the control channel. The serial master interface setup of the ARX is controlled by ATX through the link, by register RXDCMD (0x70) as shown in [Table 14. on page 40](#).

See [Table 14. on page 40.](#)

Address Hex	Register	R/W	Description ¹		
0x70	RXDCMD	R/W	Bit	Interpretation	
			7	Interface select 0 ARX 2-wire interface 1 ARX SPI interface	
			6:4	For SPI: Slave select control. Definition of slave select signals and associated polarity. If 2-wire configuration EEPROM is used, the DO pin used as slave select signal, must have external pull up/down resistor to the defined inactive state of the external device. For 2-wire interface: Access type. Value SPI interpretation 000 CSN, active low 001 DO[0], active low 010 DO[1], active low 011 DO[2], active low 100 CSN, active low 101, DO[0], active high 110, DO[1], active high 111, DO[2], active high Value 2-wire interpretation 000 start stop process 001 Start only access 1. In order to use any of DO[2:0] as SPI slave select signals, the corresponding bit in the RXPIO-register should be set to the SPI slave select inactive state (meaning if DO[0] is to be used as active low slave select, RXPIO[0] must be set to 1). 2. MCSN is always active low 3. Example of a 2-wire start stop access A start only access is used to form a 2-wire repeated start access. A repeated start access consists of a start only access command, followed by a start stop access command.	
			3:1	Interface data rate select	
			Value	SPI interpretation	2-wire interpretation
			000	8 Mbit/s	Illegal
			001	8 Mbit/s	100 kbits/s
			010	4 Mbit/s	400 kbits/s
			011	2 Mbit/s	1 Mbit/s
			100	1 Mbit/s	Illegal
			101	500 kbits/s	Illegal
			110	250 kbits/s	Illegal
			111	No master interface access	
			0	Reserved, MBZ	

1. The RXDCMD is a data command which specifies master interface and speed.

Table 14. RXMDCMD register

Values in `RXDCMD` are used when `0x01` is written to `RXEEXEC`.

The number of bytes data to read from (or write to) the master interface, is set in the 'write and read count' registers `RXWCNT` (`0x71`) and `RXRCNT` (`0x72`). The actual data are transferred through the data buffers `RXBUF`.

Once the `RXWCNT` and `RXRCNT` registers are set, writing to `RXEEXEC` will initiate a SPI or 2-wire operation on the ARX serial master interfaces. Completion of this operation is also reported in the `RXEEXEC` register and can be mapped to an interrupt in the ATX. See also [Figure 11. on page 25](#) . Values in registers `RXWCNT`, `RXRCNT`, and `RXBUF` are used when `0x01` is written to `RXEEXEC`. If no data is to be exchanged on the master interface, the "Speed select" setting in register `RXDCMD` should be set to "No master interface access".

Address Hex	Register	R/W	Description
0x71	<code>RXWCNT</code>	R/W	Number of bytes to write (max 16) to master interface
0x72	<code>RXRCNT</code>	R/W	Number of bytes to read (max 16) from master interface
0x60 - 0x6F	<code>RXBUF</code>	R/W	Data to be written to the interface specified by <code>RXDCMD</code> , or Data read from audio receiver on the interface specified by <code>RXDCMD</code>
0x74	<code>RXEEXEC</code>	R/W	<p>Writing to this register will execute a command on the audio receiver. The interface and speed are specified by <code>RXDCMD</code>.</p> <p>The audio receiver will first write <code>RXWCNT</code> bytes from <code>RXBUF</code> to the selected interface. Afterwards <code>RXRCNT</code> bytes are read and transmitted back to be stored in <code>RXBUF</code>. An interrupt may be delivered upon successful completion of the command. Returned values are :</p> <ul style="list-style-type: none"> 0 : idle, last transfer was successful 1 : busy with a write or read command 2 : idle, last transfer was unsuccessful <p>MCU must set <code>RXEEXEC=1</code> to perform a command, and can thereafter poll <code>RXEEXEC</code> to see if the command is finished (idle)</p>

Table 15. ARX master data registers

6.3.1 Timing serial master interfaces

6.3.1.1 2-wire master timing

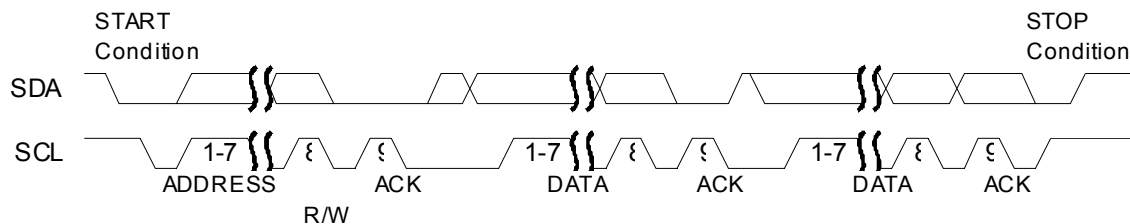


Figure 16. 2-wire data transfer

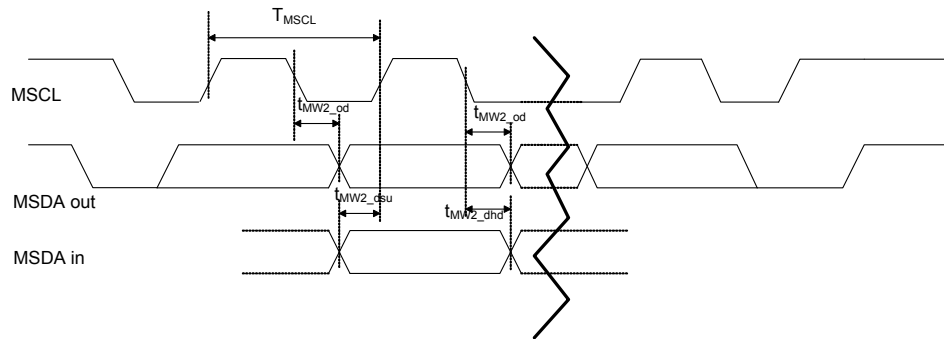


Figure 17. 2-wire master timing

6.3.1.2 SPI master timing

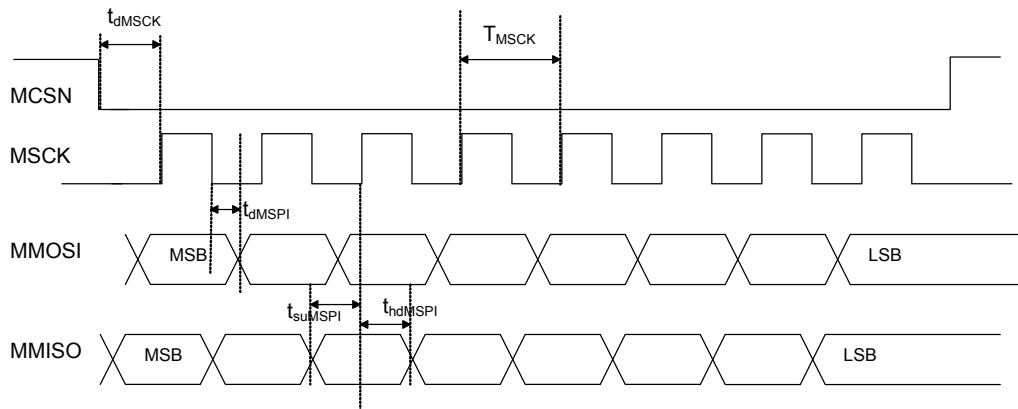


Figure 18. SPI master interface timing (one byte transaction shown)

T_{MSCK} : MSCK cycle time, as defined by $RXDCMD$ register.

t_{dMSCK} : time from MCSN active to first SCK pulse, $t_{dSCK} = T_{MSCK} / 2$

t_{dMSPI} : delay from the negative edge of MSCK to new MMOSI output data

t_{suMSPI} : MMISO setup time to the positive edge of MSCK

t_{hdMSPI} : MMISO hold time to the positive edge of MSCK

6.4 Control and GPIO interfaces

The following control and GPIO interfaces are available:

- ATX: SPI or 2-wire slave interfaces and general purpose inputs (DD [2:0])
- ARX: SPI or 2-wire slave interfaces as for ATX, or GPIO pins DI[3:0] and DO[3:0]. DO[3:0] pins have alternative functionality: PWM or master SPI chip select signal

External applications / devices control the nRF24Z1 by means of the ATX serial slave interfaces. If an external MCU is not present at the ATX side, configuration can only be done immediately after RESET. See section [6.3 on page 38](#) . All audio and RF link configuration is then fixed and the control channel can only carry simple push button/interrupt signals.

6.4.1 ATX interface and pin configuration

One of two interfaces can be chosen (set by input pin SSEL):

- SSEL = 0; SPI (pins SCSN, SSCK, SMISO, SMOSI)
- SSEL = 1; 2-wire (pins SADR, SSCL and SSDA)

The functionality and signal direction of the pins in ATX mode are listed in [Table 16](#) below.

nRF24Z1 GPIO and serial slave interface pins		ATX mode			
Pin	Name	Device control: SPI mode (SSEL=10)		Device control: 2-wire mode (SSEL=11)	
		Function	Direction	Function	Direction
1	SSEL	SSEL	IN	SSEL	IN
2	SMISO/SSDA	SMISO	OUT	SSDA	IN/OUT
3	SSCK/SSCL	SSCK	IN	SSCL	IN/OUT
4	SCSN/SADR	SCSN	IN	SADR	IN
6	SMOSI/DD[2]	SMOSI	IN	DD[2]	IN
7	DD[1]	DD[1]	IN	DD[1]	IN
8	DD[0]	DD[0]	IN	DD[0]	IN
26	MODE	MODE	IN	MODE	IN
36	IRQ	IRQ	OUT	IRQ	OUT

Table 16. ATX control and GPIO pins functionality

6.4.2 SPI slave interface

The first byte of the SPI transaction specifies the register address and whether it is a read or a write access. The seven least significant bits in the first byte is the nRF24Z1 register address, while the most significant bit is the read/write indicator (read=1, write=0), see [Table 17](#).

B7	B6	B5	B4	B3	B2	B1	B0
R/W	Register address						

Table 17. SPI command byte encoding

Write transaction: The next byte on SMOSI will be put into the register with the address specified in the first byte. Writing additional bytes will increment the register address automatically.

Read transaction: The next byte on SMISO will be the contents of the register with address as specified in the first byte. Reading more bytes will increment the register address automatically.

SCSN is active low. Consecutive accesses with SCSN low will auto-increment the address.

6.4.3 2-wire slave interface

This interface is similar to what is found on serial memories and data converter devices. The 7-bit device address of nRF24Z1 is 'a101001', where 'a' is the logic level of the **SADR** input pin (read during power-up and reset only).

Each 2-wire transaction is started with the "Start condition" followed by the first byte containing the 7 bit long device address and one read/write bit. This byte is hereafter referred to as the "address/read command byte" or the "address/write command byte" depending on the state of the read/write bit (read=1, write=0).

The second byte contains the register address, specifying the register to be accessed. This address will be written into the ATX chip, and it is therefore necessary that the first byte after the first start condition is an address/write command. Further actions on the 2-wire interface depend on whether the access is a read or write access. The 2-wire command byte is illustrated in [Table 18](#).

B7	B6	B5	B4	B3	B2	B1	B0
a	1	0	1	0	0	1	R/W

Table 18. 2-wire command byte encoding

6.4.3.1 2-wire write access

[Figure 19.](#) illustrates a simple write operation, where one byte is written to the ATX chip.

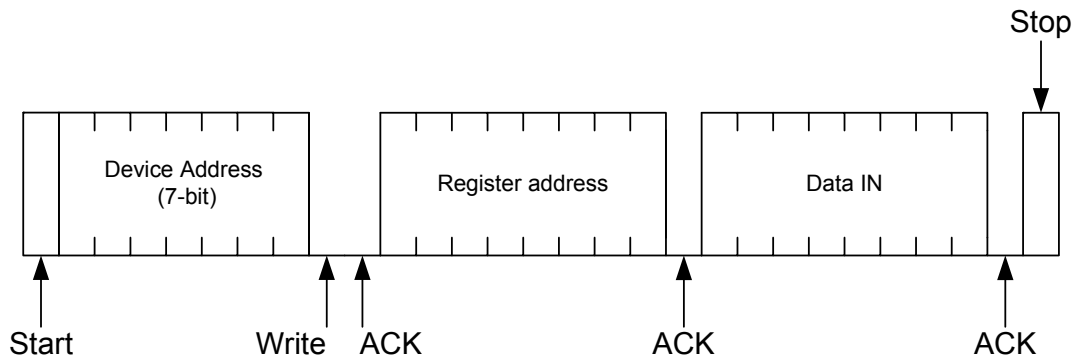


Figure 19. 2-wire write operation example

A write access is composed by a start condition, an address/write command byte, a register address byte and the corresponding data byte. Each byte will be acknowledged by the 2-wire slave by pulling the data line (SDA) low. To stop the write access, a stop condition is applied on the 2-wire interface. See [Figure 21. on page 46](#) for an example. Consecutive write access is performed by postponing the stop condition.

6.4.3.2 2-Wire read access

[Figure 20.](#) illustrates a simple read operation, where one byte is read back from the ATX chip.

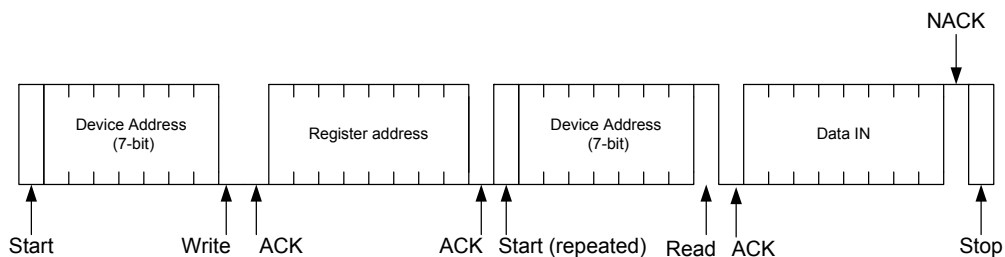


Figure 20. 2-wire read operation example

A read access is composed by a start condition, an address/write command byte and a register address byte. These two bytes are acknowledged by the 2-wire slave. This scenario is followed by a repeated start condition and an address/read control byte. This byte is also acknowledged by the 2-wire slave. After the acknowledge bit has been sent from the 2-wire slave, the register value corresponding to the register address byte is supplied by the 2-wire slave. This byte must be acknowledged by the 2-wire master if consecutive register read operations are intended. The read access is stopped by not acknowledging the last byte read, followed by a stop condition. See [Figure 21. on page 46](#) for example.

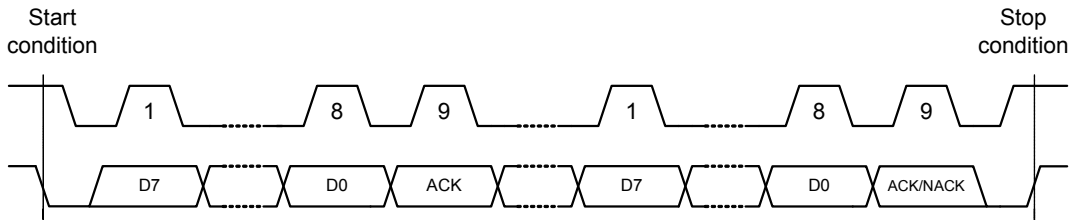


Figure 21. 2-wire waveform example

6.4.4 General purpose input pins D[2:0]

Three (2 in the case of SPI slave being used, SSEL=0) general purpose inputs are available. The status on these pins can be read in register 0x20.

Address Hex	Register	R/W	Description
0x75	TXDD	R	Value of ATX DD input pins
			Bit Interpretation
			7:3 Reserved, do not use
			2 Value of DD2 (only if SSEL=1)
			1 Value of DD1
			0 Value of DD0

Table 19. ATX DD[2:0] status

If bit TXMOD[3] is set, the levels of pins DD[2:0] are mirrored on ARX pins DO[2:0] directly. See [Table 10. on page 34.](#)

The IRQ pin can act as an interrupt signal to external application circuitry. There are a number of interrupt sources available. See the chapter [8 on page 60](#) for details.

6.4.5 ATX control interface timing

6.4.5.1 2-wire slave timing

The interface supports data transfer rates of 100 kHz, 400 kHz and 1 MHz.

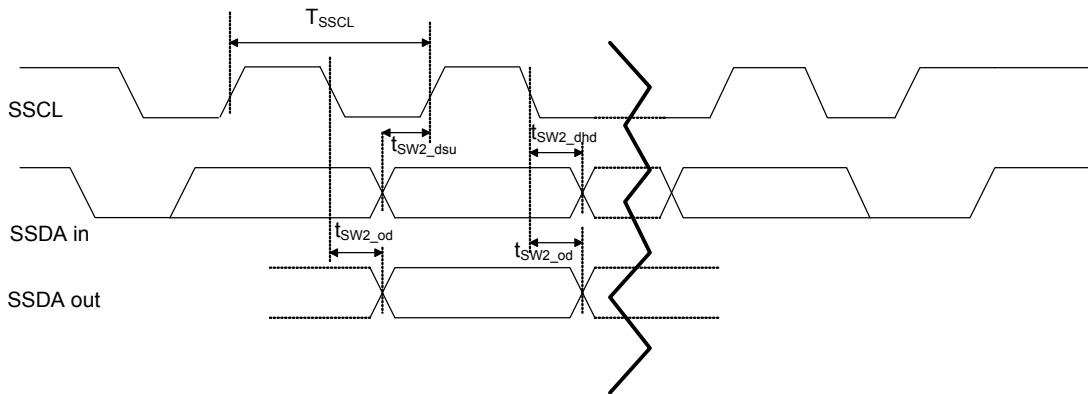


Figure 22. 2-wire slave timing diagram

6.4.5.2 SPI slave timing

Normal SPI slave clock frequency is up to 8 MHz. However, at 3V (or higher) power supply, the maximum clock frequency may be increased to 16 MHz. Note the minimum pause interval t_{SRD} between writing / reading of a byte.

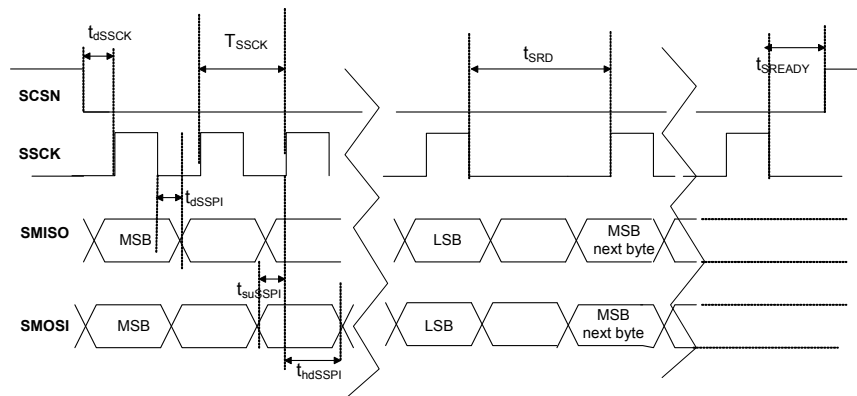


Figure 23. SPI slave timing diagram

T_{SSCK} : SSCK cycle time.

t_{dSSCK} : time from SCSN active to first SSCK pulse

t_{dSSPI} : delay from negege SSCK to new SMISO output data

t_{suSSPI} : SMOSI setup time to posedge SSCK

t_{hdSSPI} : SMOSI hold time to posedge SSCK

t_{SRD} : minimum pause between each byte read from or written to slave SPI

t_{SREADY} : time from SSCK negative edge to SCSN rising edge

Refer to [Table 41. on page 74](#) for more information.

6.4.6 ARX control interface options

The ARX is by default configured with a serial slave interface, identical to the ATX serial slave interface. The interface type (SPI or 2-wire) is selected by pin **SSEL**. The serial slave interface gives local access to all registers in the ARX, but no access to any registers on the ATX side. The only exceptions are **RXPIN[3:0]** and **RXBUF** (indirectly).

Alternatively, if **RXSTA[6]** is set in the configuration EEPROM, the ARX will be configured with **GPIO** pins instead of a serial slave interface. The pin-out and functionality of the slave interface or **GPIO** pins are shown in [Table 21](#).

Address Hex	Register	R/W	Description	
0x06	RXSTA	R	ARX status register.	
			Bit	Interpretation
			7	RXEXEC status, 1 is OK, 0 is error
			6	0 : ARX w. serial slave interface 1 : ARX w. GPIO interface, which implies no serial slave interface
			5:0	Reserved, do not use

Table 20. ARX status register

RXSTA[6] cannot be updated from the ATX, but must be set by the EEPROM or by MCU at ARX side.

Pin no	ARX with SPI slave interface (RXSTA[6]=0, SSEL=0)		ARX with 2-wire slave interface (RXSTA[6]=0, SSEL=1)		ARX GPIO interface (RXSTA[6]=1)	
	Function	Direction	Function	Direction	Function	Direction
1	SSEL	IN	SSEL	IN	DO[2]	OUT
2	SMISO	OUT	SSDA	IN/OUT	DO[1]	OUT
3	SSCK	IN	SSCL	IN/OUT	DO[0]	OUT
4	SCSN	IN	SADR	IN	DO[3]	IN
6	SMOSI	IN	DI[2]	IN	DI[2]	IN
36	IRQ ¹	OUT	IRQ	OUT	DO[3]/ PWM ²	OUT

1. The ATX and ARX have their own local instance of the **INTSTA** register.
2. General purpose output (**DO[3]**) or PWM functionality is set by register **RXPWME** (0x42).

Table 21. ARX serial slave interface / GPIO configuration settings

Note: The GPIO functions described for registers **RXPIO**, **RXPWME**, **RXPWMD**, **RXPIN** bits 3:2, **RXWAKE** bits 3:2, are only available if the ARX is configured with GPIO interface (**RXSTA[6]=1**). However, these registers may always be read or written to, but if ARX is

configured with slave interface, the registers will be disconnected from their corresponding GPIO-pins.

Note also that if ARX is configured with a slave interface, multiple ARX registers can be accessed both by the control channel from the ATX, and locally by the MCU via the slave interface. Care should be taken to avoid setting conflicting values to a register.

6.4.7 ARX GPIO pins

General purpose inputs $DI[3:0]$ and outputs $DO[3:0]$ are available in ARX-mode as shown in [Table 21. on page 48](#).

6.4.7.1 Inputs

$DI[3:0]$ are general purpose inputs while in ARX-mode. Status on these pins is monitored in ATX register $RXPIN$ (0x07). If the ARX is configured with a slave interface, a connected MCU may emulate general purpose inputs by performing a local write to the $RXPIN$ register.

Address Hex	Register	R/W	Description												
0x07	RXPIN	R	Current state of audio receiver GPIO inputs												
			<table border="1"> <thead> <tr> <th>Bit</th> <th>Interpretation</th> </tr> </thead> <tbody> <tr> <td>7:4</td> <td>Reserved, do not use.</td> </tr> <tr> <td>3</td> <td>$DI[3]$ value</td> </tr> <tr> <td>2</td> <td>$DI[2]$ value</td> </tr> <tr> <td>1</td> <td>$DI[1]$ value</td> </tr> <tr> <td>0</td> <td>$DI[0]$ value</td> </tr> </tbody> </table>	Bit	Interpretation	7:4	Reserved, do not use.	3	$DI[3]$ value	2	$DI[2]$ value	1	$DI[1]$ value	0	$DI[0]$ value
Bit	Interpretation														
7:4	Reserved, do not use.														
3	$DI[3]$ value														
2	$DI[2]$ value														
1	$DI[1]$ value														
0	$DI[0]$ value														

Table 22. Register $RXPIN$ (0x07)

6.4.7.2 Outputs

Configuration alternatives of general purpose pins $DO[3:0]$ are shown below:

Pins	Functionality	Controlling register	Description
$DO[3:0]$	General purpose output	$RXPIO$ (0x41)	See below.
$DO[2:0]$	Mirror of $DD[2:0]$	$TXMOD$ (0x1A)	See section 6.4.1 on page 43
$DO[2:0]$	ARX SPI master bus enable	$RXDCMD$ (0x70)	Table 14. on page 40
$DO[3]$	PWM output	$RXPWME$ (0x42) $RXPWMD$ (0x43)	See below.

Table 23. DO [3:0] configuration alternatives

When used as general purpose outputs, $DO[3:0]$ pin characteristics are controlled by register $RXPIO$ (0x41). On some ARX general purpose output pins, high current drive capabilities can be enabled (for example, LED output driver). The register contents of $RXPIO$ is listed in [Table 24. on page 50](#).

Address Hex	Register	R/W	Description																		
0x41	RXPIO	R/W	Receiver GPIO output and drive strength <table border="1"> <thead> <tr> <th>Bit</th> <th>Logic 1 Interpretation</th> </tr> </thead> <tbody> <tr> <td>7</td> <td>High drive high enable for DO[3]</td> </tr> <tr> <td>6</td> <td>Reserved, MBZ¹</td> </tr> <tr> <td>5</td> <td>High drive high enable for DO[1]</td> </tr> <tr> <td>4</td> <td>Reserved, MBZ²</td> </tr> <tr> <td>3</td> <td>Data for DO[3]</td> </tr> <tr> <td>2</td> <td>Data for DO[2]</td> </tr> <tr> <td>1</td> <td>Data for DO[1]</td> </tr> <tr> <td>0</td> <td>Data for DO[0]</td> </tr> </tbody> </table> NOTES: 1: nRF24Z1 Version B : High drive low enable for DO[2] 2: nRF24Z1 Version B : High drive low enable for DO [0] High drive sink current (IOL_HD) for DO [0] and DO [2] @ VOL= 0.4V is typ. 10mA (only valid for nRF24Z1 Ver. B)	Bit	Logic 1 Interpretation	7	High drive high enable for DO[3]	6	Reserved, MBZ ¹	5	High drive high enable for DO[1]	4	Reserved, MBZ ²	3	Data for DO[3]	2	Data for DO[2]	1	Data for DO[1]	0	Data for DO[0]
Bit	Logic 1 Interpretation																				
7	High drive high enable for DO[3]																				
6	Reserved, MBZ ¹																				
5	High drive high enable for DO[1]																				
4	Reserved, MBZ ²																				
3	Data for DO[3]																				
2	Data for DO[2]																				
1	Data for DO[1]																				
0	Data for DO[0]																				

Table 24. Register 0x41 RXPIO

Values in RXPIO are sent to the ARX when (0x01) is written to RXCSTATE. Note that RXPIO values do not become effective until link is established. Example : initial values set in configuration EEPROM will not show on DO-outputs until link is established.

Pin DO[3] can also be used as a PWM output. PWM-enable and PWM-frequency is controlled by register RXPWME (0x42). PWM- duty cycle is controlled by register RXPWMD (0x43) as shown in [Table 25](#).

Address Hex	Register	R/W	Description						
0x42	RXPWME	R/W	Enables audio receiver PWM on pin DO[3] and sets PWM frequency <table border="1"> <thead> <tr> <th>Bit</th> <th>Interpretation</th> </tr> </thead> <tbody> <tr> <td>7:6</td> <td>00 : PWM not enabled 11 : Enable PWM on DO [3] 01,10 : reserved, do not use</td> </tr> <tr> <td>5:0</td> <td>PWM frequency (repetition rate) fPWM=16 MHz/(255·(1+RXPWME[5:0]))</td> </tr> </tbody> </table>	Bit	Interpretation	7:6	00 : PWM not enabled 11 : Enable PWM on DO [3] 01,10 : reserved, do not use	5:0	PWM frequency (repetition rate) fPWM=16 MHz/(255·(1+RXPWME[5:0]))
Bit	Interpretation								
7:6	00 : PWM not enabled 11 : Enable PWM on DO [3] 01,10 : reserved, do not use								
5:0	PWM frequency (repetition rate) fPWM=16 MHz/(255·(1+RXPWME[5:0]))								
0x43	RXPWMD	R/W	Set audio receiver PWM duty cycle						

Table 25. Registers RXPWME (0x42) and RXPWMD (0x43)

Values in RXPWME and RXPWMD are sent to the ARX when (0x01) is written to RXCSTATE.

6.5 Data exchange between an ATX and ARX

To be able to exchange data an MCU is required on both ATX and ARX.

Before you can exchange data, the nRF24Z1 must be configured by an MCU. The `RXMOD` and `TXMOD` registers, in that order, must be written after all other configuration. The configuration of the ARX and ATX must be identical. If there are no ADC and DAC present during development, the `I2SCNF_IN` register can be set to 0x80 (master mode). This will ensure that the ATX and ARX can link up and exchange data even though no audio is present. The MCLK is not present until the link is up.

You can configure the nRF24Z1 from either an EEPROM or an MCU. Using an MCU to configure both the ATX and ARX is recommended to take advantage of all the features of the nRF24Z1. No EEPROM is needed when using an MCU, and the `MISO` pin must be grounded for the nRF24Z1 to detect that no EEPROM is present.

Most configurations can be changed on the fly when using an MCU to configure the nRF24Z1, but there are some configurations related to audio interface, audio rate and latency that require forcing reconfiguration to enable them. This is controlled by writing to the `LNKMOD` register. The ARX and ATX then link up with the new setting and starts streaming audio again. You are recommended to mute the audio before you change the configuration.

There are several ways to exchange data between an ATX and ARX depending on the amount of data. There are two, typical ways to exchange data.

6.5.1 Exchanging a small amount of data

The MCU on the ARX can write to the `RXPIN` register to transfer 1 byte of data. The MCU on the ATX can either poll or set up a remote pin changed interrupt to detect that new data is present in the `RXPIN` register. This is a fast way to transfer small amounts of data from the ARX to the ATX, and the content of the `RXPIN` register is transferred in every data frame.

The MCU on the ATX can write to the `RXPIO` register to transfer 1 byte of data, followed by writing to the `RXCSTATE`. The MCU on the ARX can either poll or set up a remote pin changed interrupt to detect that new data is present in the `RXPIO` register.

Exchanging small amounts of data can be used as signal or indicate a button press between the two MCUs. This is the fastest way to transfer small amounts of data between the two devices.

6.5.2 Exchanging a large amount of data

The `RXBUF` register can be used to transfer up to 16 bytes of data one way at a time and it must be initiated by the ATX. The `RXWCNT` and `RXRCNT` registers are set to the number of bytes to transfer and to which direction. The `RXDCMD` register must be set to 0x8E (no master interface access).

Finally the MCU on ATX writes to `RXEXEC` register, and then the `RXBUF` is transferred. The MCU on the ATX can poll `RXEXEC` to check for completion.

To signal that data is transferred you can use `RXPIO` or `RXPIN` registers as described in section [6.5.1](#).

An example of transferring large amounts of data are transferring song titles or artist names.

The following illustrates an example of transferring large amounts of data from the ATX to the ARX:

On the ATX side:

Write RXDCMD = 0x8E.

Write RXBUF data (up to 16 bytes).

Write RXWCNT = 16.

Write RXRCNT = 0.

Write RXEXEC = 1.

Wait to finish (poll RXEXEC register).

Now the RXBUF content is transferred from ATX to ARX, and the MCU on ARX should now be able to read out this register. The ATX can use the RXPIO register to signal to the ARX that new data is ready in RXBUF.

The following illustrates an example of transferring large amounts of data from the ARX to the ATX:

On the ARX side:

Write RXBUF data (up to 16 bytes).

Signal to ATX that data is ready to be transferred, using RXPIN register.

On the ATX side:

Write RXDCMD = 0x8E.

Write RXWCNT=0.

Write RXRCNT=16.

Write RXEXEC=1.

Wait to finish (poll RXEXEC).

Now the RXBUF content is transferred from ARX to ATX, and the MCU on ATX should be able to read out this data.

7 Quality of Service (QoS) and RF-protocol

The purpose of the QoS-engine is to maintain satisfactory audio quality across time, during normal operation.

This involves:

- Ensuring that corrupt or lost information sent from the ATX is automatically detected and retransmitted to the ARX
- Monitoring and avoiding channels used by other 2.4 GHz equipment or which have poor radio propagation properties (for example, fading effects)
- Reducing the audible effect of corrupt data when re-transmission fails within the latency time frame
- Establishing a new link in the case of communication breakdown

The control channel is used to monitor radio-link status information.

It should be noted that at some point, the QoS-engine is unable to maintain a flawless audio link. This may be the result of stretched range, excessive interferer noise or both.

The RF-protocol is an integral part of the QoS-engine and is therefore not subject to user modification.

7.1 Link establishment

The link establishment procedure is fully managed on-chip.

7.2 RF protocol

The RF-protocol is controlled on-chip. The only parameter configurable by the application is the address. This enables separate nRF24Z1 devices to be identified and accessed independently in the same physical area. The RF protocol address length is 5 bytes and the address bytes are set in registers ADDR[0:4], listed in [Table 26](#).

Address Hex	Register	R/W	Description
0x39	ADDR[0]	R/W	Address byte #0 (LSB)
0x3A	ADDR [1]	R/W	Address byte #1
0x3B	ADDR [2]	R/W	Address byte #2
0x3C	ADDR [3]	R/W	Address byte #3
0x3D	ADDR [4]	R/W	Address byte #4

Table 26. RF protocol address

The contents of ADDR[0-4] ars sent to the ARX when (0x01) is written to LINKCSTATE.

7.3 Adaptive Frequency Hopping (AFH)

Adaptive Frequency Hopping is an integral part of the QoS-engine functionality. The audio data is split in segments which are transmitted at different frequencies known by the transmitter and receiver. The frequencies used by the ATX/ARX are changing over time as active noise sources in the frequency band appear and disappear.

AFH also enables the nRF24Z1 link to handle challenges such as signal cancellation due to multi-path fading effects.

The frequencies used by the AFH-algorithm are specified in 38 frequency position registers shown in [Table 27](#). The hopping sequence follows the register positions in consecutive order (meaning CH0, CH1, CH2.... CH36, CH37, CH0, CH1 and so on). The contents of CH0-37 may not be sent from the ATX to the ARX. Register values of CH0-37 must be configured locally by EEPROM or MCU.

Address Hex	Register	R/W	Description
0x0C	CH0	R/W	Frequency positions for the hopping sequence. The frequency position frequency is equal to the position number multiplied by 1 MHz relative to 2400 MHz. Example: To define a frequency hopping scheme starting at f=2420 MHz, and then hopping to f=2440 MHz , the following values must be set : CH0=0x14, CH1=0x28...
0x0D	CH1	R/W	
0x0E	CH2	R/W	
0x0F	CH3	R/W	
0x10	CH4	R/W	
0x11	CH5	R/W	
0x12	CH6	R/W	
0x13	CH7	R/W	
0x14	CH8	R/W	
0x15	CH9	R/W	
0x16	CH10	R/W	
0x17	CH11	R/W	
0x18	CH12	R/W	
0x19	CH13	R/W	
0x1A	CH14	R/W	
0x1B	CH15	R/W	
0x1C	CH16	R/W	
0x1D	CH17	R/W	
0x1E	CH18	R/W	
0x1F	CH19	R/W	
0x20	CH20	R/W	
0x21	CH21	R/W	
0x22	CH22	R/W	
0x23	CH23	R/W	
0x24	CH24	R/W	
0x25	CH25	R/W	
0x26	CH26	R/W	
0x27	CH27	R/W	
0x28	CH28	R/W	
0x29	CH29	R/W	
0x2A	CH30	R/W	
0x2B	CH31	R/W	
0x2C	CH32	R/W	
0x2D	CH33	R/W	
0x2E	CH34	R/W	
0x2F	CH35	R/W	
0x30	CH36	R/W	
0x31	CH37	R/W	

Table 27. Frequency hopping table registers

7.3.1 Adapting to the RF environment

In an environment without other 2.4 GHz applications or noise sources, the nRF24Z1 will use all the frequency positions listed in [Table 27. on page 55](#). In the presence of an active RF system, occasional packet collisions are likely, resulting in RF packets being lost.

When an operating frequency resulting in unacceptable packet loss is detected, the ATX may remove it from the list of frequency positions used by AFH algorithm. The corresponding list in the ARX is synchronized by use of the control channel.

Frequency positions removed from the frequency hopping sequence are added to a FIFO list of frequencies temporarily banned for use by the AFH-algorithm.

The length of the list of banned frequencies are configurable (see [Table 28.](#)) The maximum number of banned channels is 18. A banned channel will remain in the list of banned frequencies until it will be pushed out by a new candidate.

The frequency bandwidth occupied by a nRF24Z1 device is approximately 4 MHz, whereas the frequency resolution of the available frequencies (frequency positions) is 1 MHz. Thus, the frequency position spacing in [Table 27.](#) must be at least 4 in order to achieve non-overlapping channels.

Note that the list of hopping positions does not need to contain solely non-overlapping channels in order to achieve optimal effect. Generally, the frequency positions should be distributed across the available frequency band.

Address Hex	Register	R/W	Description
0x33	NBCH	R/W	Number of Banned Channels. The number of frequency positions subject to ban at any time. Maximum register value is 18.
0x34	NACH	R/W	The number of frequency positions used in normal audio streaming mode. The frequency locations used are the first NACH-locations of Table 27. on page 55
0x35	NLCH	R/W	Number of frequency positions used in link mode. This is the number of frequency positions used in linking mode. The frequency locations used are the first NLCH-locations of Table 27. on page 55

Table 28. Frequency hopping configuration registers

Values in NBCH, NACK, and NLCH are transmitted to the ARX when 0x01 is written to `RXCSTATE`.

To minimize linking time, the same basic frequency hopping scheme must be set on the ATX and ARX side.

7.4 Link registers

The nRF24Z1 has a number of link registers whose primary function is to monitor the overall quality on the link and enable actions to be taken based on it. The link monitoring registers are listed in [Table 29](#).

Address Hex	Register	R/W	Description								
0x04	LNKQ		<p>LiNK Quality register. A measure of the number of packets lost in the last 14 frame window (of a consecutive series of 14 frame windows). Calculations : Number of packets lost in the 14 frame window is 255-LNKQ. LNKQ=255 means no packets lost Total number of packets in the 14 frame window is (14*NPPF)+(255-LNKQ) where NPPF is Number of Packets Per Frame which varies with audio rate as shown below :</p> <table border="1" style="margin-left: auto; margin-right: auto;"> <thead> <tr> <th>Audio sampling rate</th> <th>48-32kHz</th> <th>24-16kHz</th> <th>12-8kHz</th> </tr> </thead> <tbody> <tr> <td>NPPF</td> <td>8</td> <td>4</td> <td>2</td> </tr> </tbody> </table>	Audio sampling rate	48-32kHz	24-16kHz	12-8kHz	NPPF	8	4	2
Audio sampling rate	48-32kHz	24-16kHz	12-8kHz								
NPPF	8	4	2								
0x05	LNKERR	R	<p>LiNK ERRor register. Returns the number of packets permanently lost¹ in the last 32 frame window (of a consecutive series of 32 frame windows). 0 = no packets lost 255 = all packets lost</p>								
0x37	LNKWTH	R/W	<p>LiNK Warning THreshold limit. A LNKQ value LNKWTH will cause an IRQ to be activated (if enabled by INTCF[5])</p>								
0x38	LNKETH	R/W	<p>LiNK Error THreshold limit. A LNKERR value LNKETH will cause an IRQ to be activated (if enabled by INTCF[2])</p>								

1. A packet is permanently lost if it is not successfully received at the time it is required for audio output, meaning it can not be retransmitted any longer.

Table 29. Link quality monitoring registers

LNKQ and LNKERR are status registers directly available in the ATX. Note that only LNKERR is available in the ARX.

The register value of LNKQ indicates the current level of strain on the QoS-engine. The LNKERR register reports the number of unrecoverable packets in the last 14 frame window. LNKWTH and LNKETH registers enable system interrupts if one of the quality indicators drops below an acceptable level.

The link functional status is reported in register LNKSTA.

Actions to be taken upon the quality requirements set in LNKWTH and LNKETH, can be set in register LNKMOD. Registers LNKSTA and LNKMOD are listed in [Table 30. on page 58](#).

Address Hex	Register	R/W	Description																
0x03	LNKSTA	R/W	Link status register <table border="1"> <thead> <tr> <th>Bit</th> <th>Interpretation</th> </tr> </thead> <tbody> <tr> <td>7:1</td> <td>Reserved, do not use</td> </tr> <tr> <td>0</td> <td>Link established</td> </tr> </tbody> </table>	Bit	Interpretation	7:1	Reserved, do not use	0	Link established										
Bit	Interpretation																		
7:1	Reserved, do not use																		
0	Link established																		
0x36	LNKMOD	R/W	Link mode register. <table border="1"> <thead> <tr> <th>Bit</th> <th>Interpretation</th> </tr> </thead> <tbody> <tr> <td>7</td> <td>Reserved, MBZ</td> </tr> <tr> <td>6</td> <td>ATX and ARX reset to initial EEPROM register contents if no counterpart is found on the next link initialization.</td> </tr> <tr> <td>5</td> <td>Reserved, MBZ</td> </tr> <tr> <td>4</td> <td>Force reconfiguration with new configuration data</td> </tr> <tr> <td>3</td> <td>Mute when LNKERR > LNKETH</td> </tr> <tr> <td>2</td> <td>Disable adaptive frequency hopping</td> </tr> <tr> <td>1:0</td> <td>Reserved, MBZ</td> </tr> </tbody> </table>	Bit	Interpretation	7	Reserved, MBZ	6	ATX and ARX reset to initial EEPROM register contents if no counterpart is found on the next link initialization.	5	Reserved, MBZ	4	Force reconfiguration with new configuration data	3	Mute when LNKERR > LNKETH	2	Disable adaptive frequency hopping	1:0	Reserved, MBZ
Bit	Interpretation																		
7	Reserved, MBZ																		
6	ATX and ARX reset to initial EEPROM register contents if no counterpart is found on the next link initialization.																		
5	Reserved, MBZ																		
4	Force reconfiguration with new configuration data																		
3	Mute when LNKERR > LNKETH																		
2	Disable adaptive frequency hopping																		
1:0	Reserved, MBZ																		

Table 30. Link status/mode registers

7.4.1 RF link latency

Link robustness may be traded with link latency. In systems where latency is not critical (like with music players), the high latency option should be used. Latency is set in the TXLAT register as shown below. Note that the resulting latency (for example, audio delay) also depends on the audio sampling rate f_s .

Address Hex	Register	R/W	Description																				
0x52	TXLAT	R/W	ATX to ARX Latency <table border="1"> <thead> <tr> <th>Value</th> <th>Interpretation</th> <th>$f_s = 48\text{kSPS}$</th> <th>$f_s = 44.1\text{kSPS}$</th> <th>$f_s = 32\text{kSPS}$</th> </tr> </thead> <tbody> <tr> <td>0</td> <td>Short</td> <td>6 ms</td> <td>6.6 ms</td> <td>9 ms</td> </tr> <tr> <td>2</td> <td>Nominal</td> <td>11.4ms</td> <td>12.4 ms</td> <td>17 ms</td> </tr> <tr> <td>4</td> <td>High</td> <td>16.7 ms</td> <td>18.2 ms</td> <td>25.1 ms</td> </tr> </tbody> </table> Note: Latency values listed are without ADC/DAC delay (digital in/out)	Value	Interpretation	$f_s = 48\text{kSPS}$	$f_s = 44.1\text{kSPS}$	$f_s = 32\text{kSPS}$	0	Short	6 ms	6.6 ms	9 ms	2	Nominal	11.4ms	12.4 ms	17 ms	4	High	16.7 ms	18.2 ms	25.1 ms
Value	Interpretation	$f_s = 48\text{kSPS}$	$f_s = 44.1\text{kSPS}$	$f_s = 32\text{kSPS}$																			
0	Short	6 ms	6.6 ms	9 ms																			
2	Nominal	11.4ms	12.4 ms	17 ms																			
4	High	16.7 ms	18.2 ms	25.1 ms																			

Table 31. TXLAT register

7.5 RF output power

The only configurable parameter in the RF subsystem is the RF transmitter output power. ATX output power is set in register `TXPWR`. ARX output power is set in register `RXPWR`.

Address Hex	Register	R/W	Description	
0x56	TXPWR	R/W	ATX output power	
			Value	Interpretation
			0	-20 dBm
			1	-10 dBm
			2	-5 dBm
3	0 dBm			
0x49	RXPWR	R/W	ARX output power	
			Value	Interpretation
			0	-20 dBm
			1	-10 dBm
			2	-5 dBm
3	0 dBm			

Table 32. TXPWR and RXPWR registers

Both output power registers are accessible from the ATX. The output power on the ATX/ARX may thus be set based on the result of the RF link quality registers described in [Table 29. on page 57](#). Reducing the output power will result in extended battery lifetime and reduced strain on other coexisting RF systems.

8 Interrupts

An nRF24Z1 with serial slave interface can be configured to deliver interrupts to any external system connected to pin **IRQ**. Interrupt sources are defined by register **INTCF** (0x13). Interrupt status flags are available in register **INTSTA** (0x02). After interrupt initiation, the **IRQ** will stay active (“0” with **INTCF**[7]=0, “1” with **INTCF**[7]=“1”) until a “1” is written to the corresponding interrupt flag in the **INTSTA** register. All interrupt flags may be cleared by writing 0x7F to **INTSTA**.

Address Hex	Register	R/W	Description																		
0x02	INTSTA	R/W	<p>Interrupt status register. Register contents and interrupt are cleared upon reading.</p> <table border="1"> <thead> <tr> <th>Bit</th> <th>Interpretation</th> </tr> </thead> <tbody> <tr> <td>7</td> <td>Reserved, do not use</td> </tr> <tr> <td>6</td> <td>link broken status flag</td> </tr> <tr> <td>5</td> <td>poor link quality status flag (LNKQ<=LNKWTH)</td> </tr> <tr> <td>4</td> <td>remote transfer done status flag , set upon completion of a RXEXEC, TXCSTATE, LNKSTATE or RXCSTATE command.</td> </tr> <tr> <td>3</td> <td>ATX : remote input (RXPIN) changed status flag ARX with slave interface : RXPIO[3:0] register value changed status flag</td> </tr> <tr> <td>2</td> <td>Link error flag (LNKERR >= LNKETH)</td> </tr> <tr> <td>1</td> <td>Wakeup from power down status flag (see section on “Interrupting an MCU while waking up:”)</td> </tr> <tr> <td>0</td> <td>Reserved, do not use</td> </tr> </tbody> </table> <p>See register INTCF for interrupt enabling</p>	Bit	Interpretation	7	Reserved, do not use	6	link broken status flag	5	poor link quality status flag (LNKQ<=LNKWTH)	4	remote transfer done status flag , set upon completion of a RXEXEC, TXCSTATE, LNKSTATE or RXCSTATE command.	3	ATX : remote input (RXPIN) changed status flag ARX with slave interface : RXPIO[3:0] register value changed status flag	2	Link error flag (LNKERR >= LNKETH)	1	Wakeup from power down status flag (see section on “Interrupting an MCU while waking up:”)	0	Reserved, do not use
Bit	Interpretation																				
7	Reserved, do not use																				
6	link broken status flag																				
5	poor link quality status flag (LNKQ<=LNKWTH)																				
4	remote transfer done status flag , set upon completion of a RXEXEC, TXCSTATE, LNKSTATE or RXCSTATE command.																				
3	ATX : remote input (RXPIN) changed status flag ARX with slave interface : RXPIO[3:0] register value changed status flag																				
2	Link error flag (LNKERR >= LNKETH)																				
1	Wakeup from power down status flag (see section on “Interrupting an MCU while waking up:”)																				
0	Reserved, do not use																				
0x53	INTCF	R/W	<p>Interrupt configuration. Select events that can generate interrupt on the IRQ pin.</p> <table border="1"> <thead> <tr> <th>Bit</th> <th>Interpretation</th> </tr> </thead> <tbody> <tr> <td>7</td> <td>Interrupt polarity, 1 is active high, 0 is active low</td> </tr> <tr> <td>6</td> <td>Enable link broken interrupt</td> </tr> <tr> <td>5</td> <td>Enable poor link quality interrupt</td> </tr> <tr> <td>4</td> <td>Enable remote transfer done interrupt</td> </tr> <tr> <td>3</td> <td>Enable GPIO changed interrupt *</td> </tr> <tr> <td>2</td> <td>Enable link error interrupt</td> </tr> <tr> <td>1</td> <td>Enable wakeup from power down interrupt</td> </tr> <tr> <td>0</td> <td>Reserved, MBZ</td> </tr> </tbody> </table>	Bit	Interpretation	7	Interrupt polarity, 1 is active high, 0 is active low	6	Enable link broken interrupt	5	Enable poor link quality interrupt	4	Enable remote transfer done interrupt	3	Enable GPIO changed interrupt *	2	Enable link error interrupt	1	Enable wakeup from power down interrupt	0	Reserved, MBZ
Bit	Interpretation																				
7	Interrupt polarity, 1 is active high, 0 is active low																				
6	Enable link broken interrupt																				
5	Enable poor link quality interrupt																				
4	Enable remote transfer done interrupt																				
3	Enable GPIO changed interrupt *																				
2	Enable link error interrupt																				
1	Enable wakeup from power down interrupt																				
0	Reserved, MBZ																				

*ATX: interrupt generated by change of logic level on ARX DI[3:0]-pin(s). ARX: interrupt generated by change of logic level on ARX DO[3:0]-pin(s).

Table 33.Registers **INTCF** and **INTSTA**

An interrupt pin is always available in ATX mode. While in ARX mode, an interrupt pin is only available when the device is configured with a serial slave interface. In this case the interrupt registers are local to ATX and ARX respectively (meaning an interrupt on the ARX will only trigger the ARX, likewise an interrupt on the ATX will only trigger the ATX).

If the nRF24Z1 is configured to give interrupt on “Wakeup from power down”, no other detected interrupts will trigger the **IRQ** pin. With this configuration, the **IRQ** pin will constantly be set active in power up and inactive in power down. This feature can be used by an external MCU to monitor the power down state of the nRF24Z1. “Poor link quality interrupt” and “Remote transfer done interrupt” are only available to the ATX.

INTSTA- and **INTCF** register content is set locally in the ATX and the ARX devices. All interrupts must be cleared after power-on-reset.

9 RESET outputs

Designated pins not used for other functionality can provide reset pulses to external peripherals.

External **RESET** is required when the nRF24Z1 device is operated standalone and no autonomous devices (meaning MCU) are available to provide **RESET** to peripherals such as an ADC or DAC.

External **RESET** is executed as a part of the configuration routine performed immediately after power-on-reset and after device reconfiguration.

The I/O pin of choice and its signal polarity is dictated by register `TXRESO` (0x10) for the ATX and register `RXRESO` (0x40) for ARX peripherals.

Address Hex	Register	R/W	Description
0x50	TXRESO	R/W	Enabling of optional RESET pulse output from ATX.
			Bit Interpretation
			7:3 Reserved, MBZ
			2:1 0 : no RESET output 1 : RESET output on MSDA pin 2 : RESET output on MOSI pin 3 : RESET output on SPDIO pin
0	ATX RESET output polarity 0 : active low 1 : active high Reset pulse duration is approx. 285 μ s		
0x40	RXRESO	R/W	Enabling of optional RESET pulse output from ARX.
			Bit Interpretation
			7:3 Reserved, MBZ
			2:1 0 : no RESET output 1 : RESET output on MSDA pin 2 : RESET output on MOSI pin 3 : RESET output on SPDIO pin
0	ARX RESET output polarity 0 : active low 1 : active high Reset pulse duration is approx. 285 μ s		

Table 34. *TXRESO* and *RXRESO* registers

Values in the `TXRESO` and `RXRESO` registers should be stored in a configuration EEPROM.

10 Power down control

10.1 Activation of power down mode

Two power down mode initiation alternatives exist; initiation by an external MCU or induced by detection of communication link breakdown/loss.

Normally, ATX/ARX power down is initiated by an external MCU connected to the ATX. The ARX power down mode is initiated first (register `RXMOD[7]=1`) followed by the ATX (register `TXMOD[6]=1`). Register `TXMOD` is described in [Table 10. on page 34](#) and register `RXMOD` is described in [Table 12. on page 36](#).

Note that the nRF24Z1s will not enter power down mode unless a wake time is specified. In order to enable ARX power down mode, the `RXWTI` register must contain a value $> 0x00$.

Similarly, the ATX `TXWTI` register value must be $> 0x00$. Refer to section [10.2.2 on page 64](#) for a timer control register description.

The ARX will enter power down as soon as the appropriate register settings have been successfully transferred. The transfer is initiated by writing `0x01` to register `RXCSTATE`.

10.1.1 Automatic power down

An automatic power down mechanism will be activated as soon as the nRF24Z1 loses its radio link. This mechanism will cause the nRF24Z1 to enter power down automatically if no new link is established after a specific timeout interval. This feature is enabled in the ATX by writing a value $\neq 0x00$ into `TXWTI` and in the ARX by writing a value $\neq 0x00$ into `RXWTI`. The time that the devices will spend looking for a link before going to automatic power down is specified by $(TXSTI1 \times 256 + TXSTI0) \times 10$ ms in the ATX and $(RXSTI1 \times 256 + RXSTI0) \times 10$ ms in the ARX.

10.2 Wake up from power down

Two events may trigger a wake up from power down mode; status change on external pin (wake-on-interrupt) and timer controlled wake up (wake-on-timer).

To deactivate power down mode, an external MCU is required to reset the power down bits in the ATX and ARX.

10.2.1 Wake-on interrupt

An nRF24Z1 device can be put in power down mode until the level on an external pin is changed. A change of logic level will initiate wake up and new link initialization.

In ATX mode, the `DD[1]` pin may be used to enable a wakeup. This feature is enabled in register `TXMOD[5]`.

In ARX mode, wake up can be initiated by a level change on any of the input pins `DI[3:0]`.

Wake up enable is controlled by register `RXWAKE`, described in [Table 35](#). Register `TXMOD` is described in [Table 10. on page 34](#).

Wake-on-timer has priority in this register. `RXWAKE[4]` must thus be cleared in order to enable external pin change wakeup. Any combination of the `RXWAKE[0:3]` bits can be set.

Upon wake up, the nRF24Z1 device will attempt to re-link during the specified wake time. If the power down bit is not reset during this interval the device will return to power down mode. Power down timing is described in sections [10.2.2](#) and [10.3](#). For external pin wakeup, the resulting wakeup time is $TXWTI \times (TXLTI + 1) \times 10$ ms for ATX and $RXWTI \times (RXLTI + 1) \times 10$ ms for ARX respectively.

The shortest pulse width (on an input pin) for wakeup is 1 ms.

Address Hex	Register	R/W	Description																
0x45	RXWAKE	R/W	<table border="1"> <thead> <tr> <th>Bit</th> <th>Interpretation</th> </tr> </thead> <tbody> <tr> <td>7:6</td> <td>Reserved, MBZ</td> </tr> <tr> <td>5</td> <td>Reserved</td> </tr> <tr> <td>4</td> <td>Wakeup on sleep timer</td> </tr> <tr> <td>3</td> <td>Wakeup on <code>DI[3]</code> change</td> </tr> <tr> <td>2</td> <td>Wakeup on <code>DI[2]</code> change</td> </tr> <tr> <td>1</td> <td>Wakeup on <code>DI[1]</code> change</td> </tr> <tr> <td>0</td> <td>Wakeup on <code>DI[0]</code> change</td> </tr> </tbody> </table>	Bit	Interpretation	7:6	Reserved, MBZ	5	Reserved	4	Wakeup on sleep timer	3	Wakeup on <code>DI[3]</code> change	2	Wakeup on <code>DI[2]</code> change	1	Wakeup on <code>DI[1]</code> change	0	Wakeup on <code>DI[0]</code> change
Bit	Interpretation																		
7:6	Reserved, MBZ																		
5	Reserved																		
4	Wakeup on sleep timer																		
3	Wakeup on <code>DI[3]</code> change																		
2	Wakeup on <code>DI[2]</code> change																		
1	Wakeup on <code>DI[1]</code> change																		
0	Wakeup on <code>DI[0]</code> change																		

Table 35. External wake-up control registers

10.2.2 Wake-on timer

The nRF24Z1 can also be operated in a power saving mode where timers controls a cyclic power down / wake up sequence. In this mode the nRF24Z1 will be able to re-initialize the RF link without any user interaction. If no matching nRF24Z1 devices are located within the specified time interval after wake-up, power down mode is resumed.

The internal timer that puts the device into the power down part of the cycle has priority over link re-initialisation attempts. In order to re-initialize the link, the power down bits in `TXMOD` and `RXMOD` must be cleared during the wake up part of the cycle, and the ATX and ARX must both be in the wake up part of the cycle at the same time. Power down is resumed if `RXMOD` and `TXMOD` power down bits remain set, or if ATX and ARX are not in the wake up part of the cycle at the same time.

In power down mode, the ATX and ARX timing is no longer synchronized. A separate set of timers are hence implemented in the ATX and ARX.

The wake-on-timer sequence is controlled by a 16 bit sleep interval timer (ATX: `TXSTI`, ARX: `RXSTI`) and an 8 bit wake up interval timer (ATX: `TXWTI`, ARX: `RXWTI`). The contents of the sleep timer control registers decide the number of consecutive 10 ms intervals the nRF24Z1 device will sleep before waking up. The wake up interval timers correspondingly sets the number of consecutive 10 ms intervals in which the nRF24Z1 should attempt to re-link before returning to power down mode.

If the two paired nRF24Z1 devices are active at the same time, and the power down bits in `TXMOD` and `RXMOD` are cleared, a link is re-established. The controlling device (for example, MCU) on the ATX side should then reset `TXWTI` and `RXWTI` in order to prevent return to power down mode caused by the automatic power down mechanism. With a controlling MCU on the ATX side, it is important to put the ARX to sleep before the ATX, and to wake up the ATX before waking up the ARX.

The sleep and wake up timers are controlled by the registers described in [Table 36](#).

Address Hex	Register	R/W	Description
0x57	TXSTI[0]	R/W	ATX sleep timer byte #0 TXSTI is a 16-bit number specifying the number of consecutive 10ms periods in which the ATX is to sleep between attempts to establish a new link.
0x58	TXSTI[1]	R/W	ATX sleep timer byte #1
0x59	TXWTI	R/W	ATX wake up timer. With TXWTI set to 0, the ATX will not return to power down mode. A setting > 0 will specify the number of consecutive 10 ms periods in which the ATX is trying to establish a link before re-entering power down mode.
0x4D	TXLTI	R/W	ATX wake up time extension register, used to extend ATX wake up time when woken by a pin status change or while in link mode. Total wake up time is then $(TXLTI+1) \times TXWTI \times 10$ ms
0x46	RXSTI[0]	R/W	ARX sleep timer byte #0 RXSTI is a 16-bit number specifying the number of consecutive 10ms periods in which the ARX is to sleep between attempts to establish a new link. Only used if the sleep timer is enabled, see bit 4 of RWAKE register.
0x47	RXSTI[1]	R/W	ARX sleep timer byte #1
0x48	RXWTI	R/W	ARX wake up timer. With RXWTI set to 0, the ATX will not return to power down mode. A setting > 0 will specify the number of consecutive 10 ms periods in which the ARX is trying to establish a link before re-entering power down mode.
0x4C	RXLTI	R/W	ARX wake up time extension register, used to extend ARX wake time when woken by a pin change or while in link mode. Total wake time is then $(RXLTI+1) \times RXWTI \times 10$ ms

Table 36. Sleep and wake-up timer registers

10.2.3 Wakeup from automatic power down

When automatic power down is enabled, and after having lost its link for the specified time, the devices will enter the sleep modes set by TXMOD, RXMOD and RXWAKE. This means that a device set to Wake-on-Interrupt has to be interrupted (meaning button is pushed) before it may start trying to re-establish a link after automatic power down. However, if both ATX and ARX are set to Wake-on-timer, they are able to wake up from automatic power down without user intervention.

10.2.4 Interrupting an MCU while waking up

The nRF24Z1 has several ways of interrupting an external MCU or other external devices. The wakeup from power down interrupt (`INTSTA[1]`) is the only interrupt whose interrupt flag does not have to be cleared in register `INTSTA`. Enabling the wakeup from power down interrupt on the ATX makes the `IRQ` output pin track the sleep modes of the nRF24Z1. An active low `IRQ` pin will be low when the ATX is streaming audio or trying to establish a link. It will be high when the ATX is idle between attempts at establishing a link.

This means that if the ATX is Wake-on-Timer, the external MCU does not have to be in charge of system timing while in sleep mode. Instead it is interrupted by the nRF24Z1 whenever it wakes up and becomes ready to receive commands.

10.3 nRF24Z1 power saving example

A combination of the two power down control alternatives is possible. [Figure 24](#), shows an example of ATX timer controlled power down combined with power down with wake up on external pin event in the ARX. In this example the ARX is shut down completely until a user activates the ARX (meaning headphone or speaker).

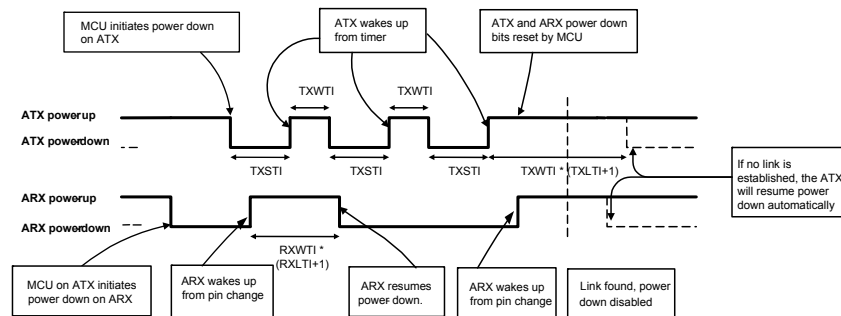


Figure 24. nRF24Z1 power saving example

In this example, the ARX will wake up upon a logic level shift on one of the `DI[3:0]` pins. The ARX will then be active for the designated time interval, attempting to establish link with the ATX. The ARX will return to power down if the register bit `RXMOD[7]` is not cleared.

The ATX will wake up from power down on a cyclic basis. In order to (cancel cyclic behaviors) the ATX, the register bit `TXMOD[6]` must be cleared within the ATX wake time.

If the ARX wakes up and a link is established, the ARX and ATX will remain awake upon ATX clearing of the ARX power down bit.

ATX will resume power down if no link is found after the extended wake time interval is over; even when the power down bit was cleared.

11 Register update over the control channel

The registers `TXCSTATE`, `LNKCSTATE`, `RXCSTATE` can be used by an ATX MCU to update audio receiver control registers through the control channel. Writing to these registers from an ARX MCU is illegal. When the ATX MCU is to initiate a register contents change in one or more of the ARX registers, the register value(s) are first buffered in the ATX. The registers' contents are then transferred to the ARX and employed there when the corresponding update register is written to by the ATX MCU. Prior to any transfer to the ARX, the transfer register should be polled to check if the ATX is ready to transfer new register values to the ARX.

Setting an update register to `0x01`, triggers the ATX to send the corresponding register values to the ARX. The update register is then automatically reset to `0x00` after the register values have been successfully transferred. When an update register reads `0x01`, the ATX is busy sending the register values to the ARX. When an update register reads `0x02`, the last transfer was unsuccessful. A value of `0x02` may indicate a radio link problem.

Address Hex	Register	R/W	Description
0x5B	TXCSTATE	R/W	<p>Controls when to send ATX registers <code>TXFMT</code>, <code>TXLAT</code>, <code>I2SCNF_IN</code> over the data link to the ARX. Status values are :</p> <ul style="list-style-type: none"> 0 : idle, last transfer successful 1 : busy, registers may not be accessed. 2 : idle, last transfer unsuccessful <p>When idle, data may be written to the ATX registers. Setting <code>TXCSTATE=1</code> triggers the ATX to send register values to the ARX. <code>TXCSTATE</code> is automatically reset to 0 by the ATX upon successful transfer to the ARX. An external MCU should poll this register before accessing the ATX registers.</p>
0x3E	LKNCSTATE	R/W	<p>Controls when to send ATX side link control registers over the data link to the ARX. Status values are :</p> <ul style="list-style-type: none"> 0 : idle, last transfer was successful 1 : busy, registers may not be accessed 2 : idle, last transfer was unsuccessful <p>When idle, data may be written to the link control registers. Setting <code>LKNCSTATE=1</code> triggers the ATX to send link control register values to the ARX. <code>LKNCSTATE</code> will be reset to 0 by the ATX upon successful transfer to the ARX. An external MCU should poll this register before accessing any link control registers.</p>
0x4B	RXCSTATE	R/W	<p>Controls when to send ARX control register data from the ATX over the data link to the ARX. Status values are¹ :</p> <ul style="list-style-type: none"> 0 : idle, and last transfer was successful 1 : busy, the registers may not be accessed 2 : idle, but last transfer was unsuccessful <p>When idle, data may be written to the ARX control registers. Setting <code>RXCSTATE=1</code> triggers the ATX to send ARX control register values to the ARX. <code>RXCSTATE</code> will be reset to 0 by the ATX upon successful transfer to the ARX. An external MCU should poll this register before accessing any of the ARX control registers.</p>

1. Status applies to all ARX control registers except `RXMOD`

Table 37. Register update registers

11.1 Register update and device relink

Some register updates require ARX and ATX reconfiguration.

The ATX and ARX will always be reconfigured after a link has been established. The ATX and ARX may thus be reconfigured by forcing a re-link. This can be done by setting the “Force reconfiguration” bit; `LNKMOD[4] = 1`.

Register category	Register name
ATX registers	TXSTA[6:3] TXFMT TXMOD[2:0] I2SCNF_IN TXLAT
ARX registers	RXMOD[2] I2SCNF_OUT[5:0]
LINK registers	ADDR0, ADDR1, ADDR2, ADDR3, ADDR4 NBCH, NACH
TEST_MODE registers	TESTREG, TESTCH

Table 38. Registers requiring device re-configuration

Some related registers and bits which have special functionality are listed below:

Register name	Register function
RXSTA[6]	The ARX serial slave interface may only be disabled by setting RXSTA[6] from an external configuration EEPROM. A serial slave interface will be enabled by default if no EEPROM is present on the ARX.
CH0-37	The frequency hopping table registers is not transferred from the ATX to ARX. These registers must therefore be configured in EEPROM or local MCU.
TXSTA	Sampling rates are automatically transmitted to the ARX from the ATX during link-locate mode.
RXMOD	ARX operation mode are automatically transmitted to the ARX from ATX during link-locate mode.
RXPIN	Information about ARX general-purpose input pins is automatically transmitted from the ARX to the ATX during link-locate mode. This information is also being continuously transferred from the ARX to the ATX during normal audio streaming mode.
TXCSTATE	Transfer register used by the ATX to send data to ARX
RXCSTATE	Transfer register used by the ATX to send data to ARX
LNCSTATE	ransfer register used by the ATX to send data to ARX
RXEXEC	Transfer register used by the ATX to send and receive data to/from the SPI and 2-wire master interfaces of the ARX

Table 39. Registers with special functionality

12 Test mode

nRF24Z1 test mode is initiated by writing to test registers `TESTREG` and `TESTCH`, followed by setting bit 4 of the `LNKMOD` register. This will force the device to restart in test mode according to the `TESTREG` and `TESTCH` register settings.

nRF24Z1 will remain in test mode until reset. Test mode can only be aborted by use of reset. Test mode changes can only be performed upon device reset. This applies for both the ATX and ARX.

The ATX test registers can be accessed through the (SPI or 2-wire) slave interface (also valid for an ARX configured with slave interface; `RXSTA[6]=0`).

For an ARX configured from an external EEPROM with GPIO interface (`EEPROM/RXSTA[6]=1`), the slave interface does not exist, blocking access to the test registers. EEPROM configuration may be avoided by forcing the EEPROM data output line low, aborting the read process from the EEPROM. As a result, `RXSTA[6]` will not be set, and the ARX is configured with a slave interface.

Address Hex	Register	R/W	Description	
0x7E	<code>TESTREG</code>	W	Test mode register: Code 1: 0110 0011 – Single channel test. Code 2: 0111 0011 – Channel sweep test. Sweeps all channels from frequencies from 2400 MHz to 2480 MHz in steps of 1 MHz.	
0x7F	<code>TESTCH</code>	W	Bit	Interpretation
			7	1: TX, 0: RX Initiates the mode described in <code>TESTREG</code> in RX / TX mode.
			6:0	Channel number when <code>TESTREG</code> is set to Code 1 (single channel), number is in 1 MHz step relative to 2400 MHz

Table 40. Test mode registers

Note: Output power in test mode is always 0 dBm, and any other setting in `TXPWR` and `RXPWR` registers is ignored in test mode.

13 Electrical specifications

Symbol	Parameter (condition)	Notes	Min.	Nom.	Max.	Units
Operating conditions						
VDD	Supply voltage		2.0	3.0	3.6	V
TEMP	Operating temperature		-20	27	80	°C
Digital input pins						
V _{IH}	HIGH level input voltage		0.7 × VDD		VDD	V
V _{IL}	LOW level input voltage		VSS		0.3 × VDD	V
Digital output pins						
V _{OH}	HIGH level output voltage (I _{OH} =-0.5mA)		VDD-0.3		VDD	V
V _{OL}	LOW level output voltage (I _{OL} =0.5mA)		VSS		0.3	V
I _{OH_HD}	High drive source current for DO[1] and DO[3] @ V _{OH} = VDD-0.4V	1		10		mA
General electrical specification						
I _{PD}	Supply current in power down mode			5		µA
General RF conditions						
f _{OP}	Operating frequency	2	2400		2521	MHz
Δf	Frequency deviation			+/-640		kHz
R _{GFSK}	GFSK data rate			4000		kbps
BW _{MOD}	Modulation bandwidth				4	MHz
f _{XTAL}	Crystal frequency	3		16		MHz
C _{load}	Crystal load capacitance	3	8	12	16	Pf
Δ f _{XTAL}	X-tal frequency tolerance + temperature drift	3			+/-30	ppm
RF transmit mode						
P _{RF_0dBm}	Maximum output power (TXPWR=3)	4		0	3	dBm
P _{RF_-5dBm}	Maximum output power (TXPWR=2)	4		-5	0	dBm
P _{RF_-10dBm}	Maximum output power (TXPWR=1)	4		-10	-5	dBm
P _{RF_-20dBm}	Maximum output power (TXPWR=0)	4		-20	-12	dBm
P _{RFC}	RF power control range		16	20		dB
P _{RFCR}	RF power range control resolution				+/-3	dB
P _{BW}	20dB bandwidth for modulated carrier			2500	4000	kHz

Symbol	Parameter (condition)	Notes	Min.	Nom.	Max.	Units
RF receive mode						
RX _{SENS}	Sensitivity at 0.1% BER			-80		dBm
RX _{MAX}	Maximum received signal		0			dBm
ATX current consumption						
I _{ATX_0dBm}	Mean supply current in audio streaming mode @ 0dBm output power Sample rate:32kSPS 44.1kSPS 48kSPS	5		14 17 18		mA mA mA
I _{ATXmax}	Peak supply current in audio streaming mode for all sample rates and output power	5			33.5	mA
I _{ATX_-5dBm}	Mean supply current @ -5dBm output power	6 7		16		mA
I _{ATX_-10dBm}	Mean supply current @ -10dBm output power			15.3		mA
I _{ATX_-20dBm}	Mean supply current @ -20dBm output power			15		mA
ARX current consumption						
I _{ARX_Ink}	Mean supply current in link mode			32		mA
I _{ARX_au}	Mean supply current in audio streaming mode Sample rate:32kSPS 44.1kSPS 48kSPS	8 9		19.5 23 24		mA mA mA
I2S interface timing (see Figure 13. on page 37 , Figure 14. on page 37 and Figure 15. on page 38 .)						
T _{I2S}	I2S clock period		150			ns
	DATA and WS (input) setup time to CLK		20			ns
	DATA and WS (input) hold time from CLK		20			ns
	DATA and WS (output) delay from CLK				40	ns

Symbol	Parameter (condition)	Notes	Min.	Nom.	Max.	Units
MCLK (256 f_s) output clock						
Δf_{MCLK}	Locking range vs nominal MCLK frequency	10	-500		+500	ppm
J_{RMS}	RMS jitter 0-25kHz			250	310	ps
Slave SPI interface timing (See Figure 23. on page 47)						
T_{SSCK}	SSCK clock period	11	62			ns
t_{suSSPI}	SMOSI setup time to SSCK		10			ns
t_{hdSSPI}	SMOSI hold time from SSCK		10			ns
t_{dSSPI}	SMISO delay from SSCK				55	ns
t_{dSSCK}	SCSN setup time to SSCK		500			μs
t_{SRD}	SPI slave ready		500			μs
t_{SREADY}	SCSN hold time to SSCK		500			μs
Master SPI interface timing (see Figure 18. on page 42)						
T_{MSCK}	MSCK clock period		125			ns
t_{suMSPI}	MMISO setup time to MSCK		55			ns
t_{hdMSPI}	MMISO hold time from MSCK		10			ns
t_{dMSPI}	MMOSI delay from MSCK				20	ns
t_{dMSCK}	MCSN setup to MSCK		30	500		ns
Slave 2-wire interface timing (see Figure 22. on page 47)						
T_{MSCL}	2-wire clock period		1000			ns
$t_{\text{MW2}_\text{dsu}}$	MSDA setup time to MSCL		60			ns
$t_{\text{MW2}_\text{dhd}}$	MSDA hold time from MSCL		50			ns
t_{MW2_od}	MSDA 1->0 delay from MSCL				50	ns
Master 2-wire interface timing (see Figure 17. on page 42)						
T_{MSCL}	2-wire clock period		1000			ns
$t_{\text{MW2}_\text{dsu}}$	MSDA setup time to MSCL		60			ns
$t_{\text{MW2}_\text{dsd}}$	MSDA hold time from MSCL		50			ns
t_{MW2_od}	MSDA 1->0 delay from MSCL				50	ns

1. Output pin programmed for high current (register `RXP10`).

2. Device operates in the 2400 MHz ISM band (2400-2483 MHz).
3. For further details on crystal specification, see section [17.2 on page 78](#).
4. Antenna load impedance = $100W + j175W$, see chapter [17 on page 78](#).
5. $C_{load_MCLK} \approx 8pF$
6. Sample rate = 44.1 kSPS
7. $C_{load_MCLK} \approx 8pF$
8. $C_{CLK} = C_{WS} = C_{DATA} = C_{MCLK} \approx 10pF$
9. Peak current in ARX-mode is approximately 34mA
10. Nominal MCLK frequency is 256 times f_s for f_s in [32 kHz, 44.1 kHz, 48 kHz] programmable
11. For $VDD \geq 3.0V \pm 10\%$, otherwise minimum T_{SSCK} is 124 ns (8 MHz)

Table 41. nRF24Z1 Electrical specifications

14 Absolute maximum ratings

Maximum ratings are the extreme limits to which the device can be exposed without permanently damaging it. Exposure to absolute maximum ratings for prolonged periods of time may affect device reliability.

The device is not guaranteed to operate properly at the maximum ratings.

Note: Stress exceeding one or more of the limiting values may cause permanent damage to the device.

Operating conditions	Range	Units
Supply voltages		
VDD	-0.3 to 3.6	V
VSS	0	V
Input voltage		
VI	-0.3 to VDD +0.3	V
VO	-0.3 to VDD +0.3	V
Output voltage		
VO	-0.3 to VDD +0.3	V
Temperatures		
Operating temperature	-20 to +80	°C
Storage temperature	-40 to +125	°C

Attention!

Observe precaution for handling
Electrostatic Sensitive Device.

HBM (Human Body Model): Class 1A



16 Ordering information

Type number	Description	Package	Container	MOQ ¹
nRF24Z1	2.4 GHz wireless audio streamer	36L QFN 6×6mm	Tray	490
nRF24Z1-REEL	2.4 GHz wireless audio streamer	36L QFN 6×6mm	Tape and reel	2500
nRF24Z1-EVKIT	Evaluation kit	N/A	N/A	1
nRF24Z1-HPR1	nRF24Z1 Headphone Reference Design	N/A	N/A	1

1. MOQ=Minimum order quantity

16.1 Package marking

N	R	F		B	X
2	4	Z	1		
Y	Y	W	W	L	L

16.2 Abbreviations

Abbreviation	Definition
24Z1	Product number
B	Build Code, that is, unique code for production sites, package type and test platform. Variable.
X	“X” grade, that is, Engineering Samples (optional). Variable.
YY	Two-digit Year number. Variable.
WW	Two-digit Week number. Variable.
LL	Two-letter wafer lot number code. Variable.

Table 44. Abbreviations

17 Application information

17.1 Antenna I/O

The **ANT1** & **ANT2** output pins provide a balanced RF output to the antenna. The pins must have a DC path to VDD_PA, either via a RF choke or via the center point in a balanced antenna. Differential load impedance between the **ANT1** and **ANT2** pins, $100\Omega + j175\Omega$, is recommended for maximum output power. Antennas with lower load impedance (for example 50Ω) can be matched to nRF24Z1 by using a simple matching network.

17.2 Crystal specification

Tolerance includes initial accuracy and tolerance over temperature and aging.

Frequency	C _L	ESR	C _{0max}	Tolerance
16 MHz	8pF to 16pF	100Ω	7.0pF	+/-30 ppm

Table 45. Crystal specification of nRF24Z1

In order to obtain a crystal setup with low power consumption and fast start-up time, a crystal with low crystal load capacitance is recommended.

The crystal load capacitance, C_L, is given by:

$$C_L = \frac{C_1' \cdot C_2'}{C_1' + C_2'}, \quad \text{where } C_1' = C_1 + C_{PCB1} + C_{I1} \text{ and } C_2' = C_2 + C_{PCB2} + C_{I2}$$

C₁ and C₂ are SMD capacitors as shown in the application schematics. C_{PCB1} and C_{PCB2} are the layout parasitics on the circuit board. C_{I1} and C_{I2} are the capacitance seen into the **xc1** and **xc2** pin respectively; the value is typical 1pF.

17.3 Bias reference resistor

A resistor between pin **IREF** (pin 24) and ground sets up the bias reference for the nRF24Z1. A 22 kΩ (1%) resistor is to be fitted. Changing the value of this resistor will degrade nRF24Z1 performance.

17.4 Internal digital supply de-coupling

Pin **DVDD** (pin15) is a regulated output of the internal digital power supply of nRF24Z1. The pin is purely for de-coupling purposes and only a 33nF (X7R) capacitor is to be connected. The pin must not be connected to external **VDD** and can not be used as power supply for external devices.

17.5 PCB layout and de-coupling guidelines

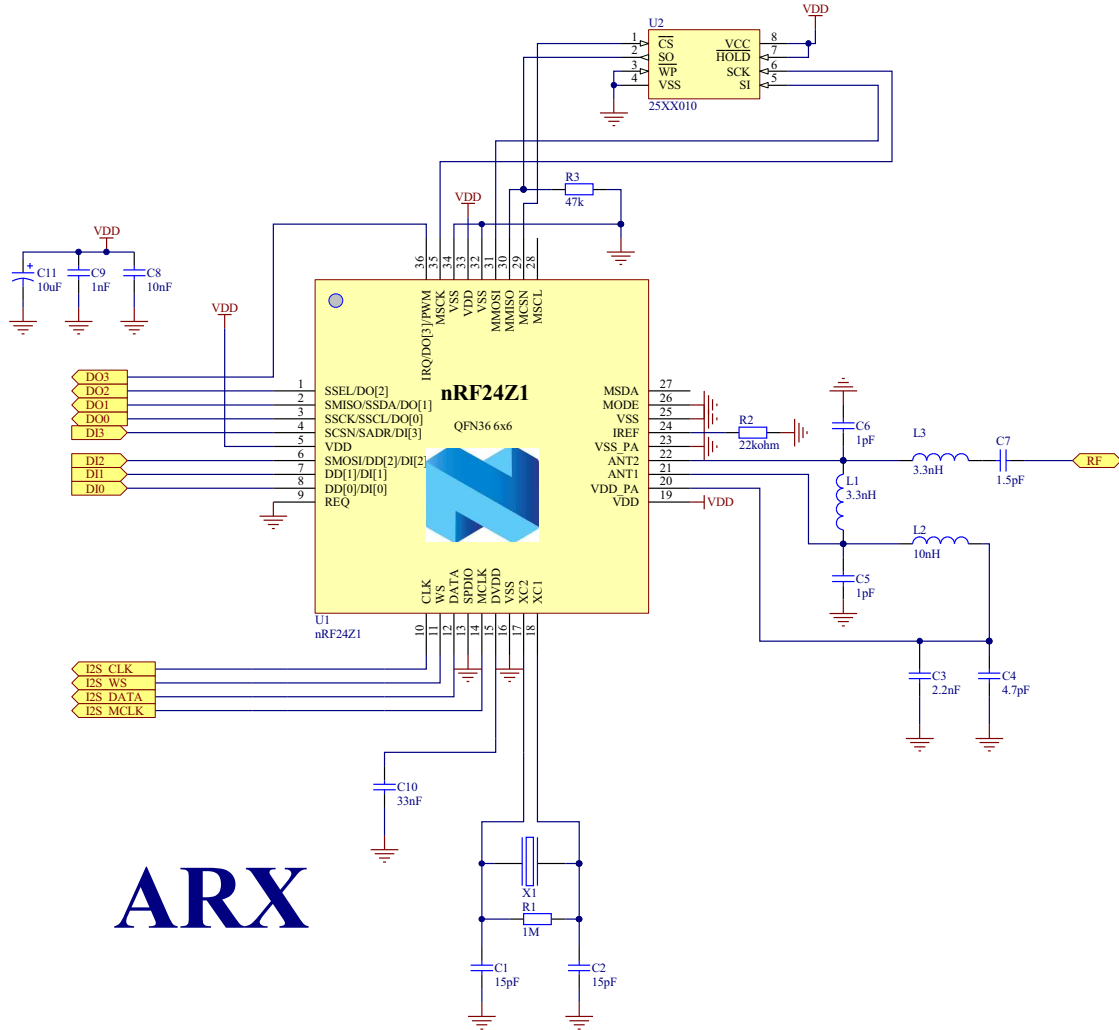
A well-designed PCB is necessary especially to achieve good RF performance. Keep in mind that a poor layout may lead to loss of performance, or even functionality if due care is not taken. A fully qualified RF-layout for the nRF24Z1 and its surrounding components, including antenna matching network, can be downloaded from www.nordicsemi.com.

A PCB with a minimum of two layers with ground planes is recommended for optimum performance. The nRF24Z1 DC supply voltage must be de-coupled as close as possible to the V_{DD} pins, see chapter [18 on page 80](#). A large value surface mount tantalum capacitor (for example 10 μ F) should be placed in parallel with the smaller value capacitors. The nRF24Z1 supply voltage must be filtered and routed separately from the supply voltages of other circuitry. When the nRF24Z1 is used in combination with A/D and D/A converters, it is very important to avoid power supply noise generated by the nRF24Z1 from reaching the analogue supply pins of the A/D and D/A converters. Hence, star-routing directly from a low-noise supply source (like a linear voltage regulator) is highly recommended, and where the nRF24Z1 has its own power supply line from the supply source and also the A/D and D/A converters have their own separate digital and analogue supply lines.

Long power supply lines on the PCB should be avoided. All device grounds, VDD connections and VDD bypass capacitors must be connected as close as possible to the nRF24Z1 IC. For a PCB with a topside RF ground plane, the v_{SS} pins should be connected directly to the ground plane. For a PCB with a bottom ground plane, the best technique is to place via holes as close as possible to the v_{SS} pins. A minimum of one via hole should be used for each v_{SS} pin.

Full-swing digital data or control signals should not be routed close to the reference crystal or the power supply lines.

This avoids any floating signals if the SPI bus is disabled (power down). Only one resistor on the bus is needed. If the MCU MOSI output has internal pull up/down, it can be omitted.



ARX

Figure 26. nRF24Z1 ARX with SPI EEPROM schematic

18.2 nRF24Z1 layout

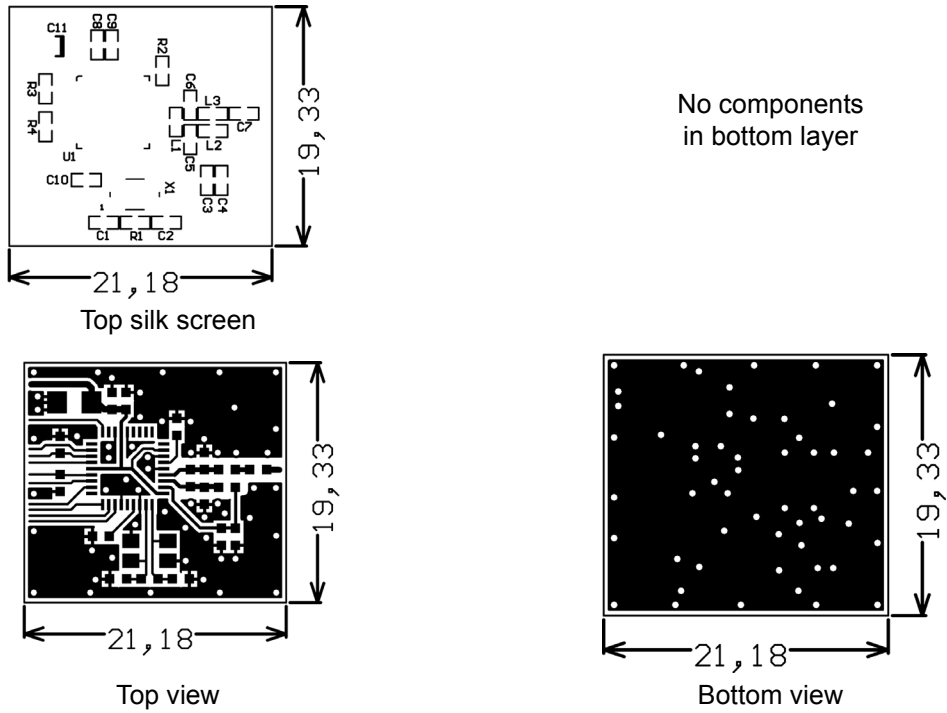


Figure 27. nRF24Z1 ATX PCB layout

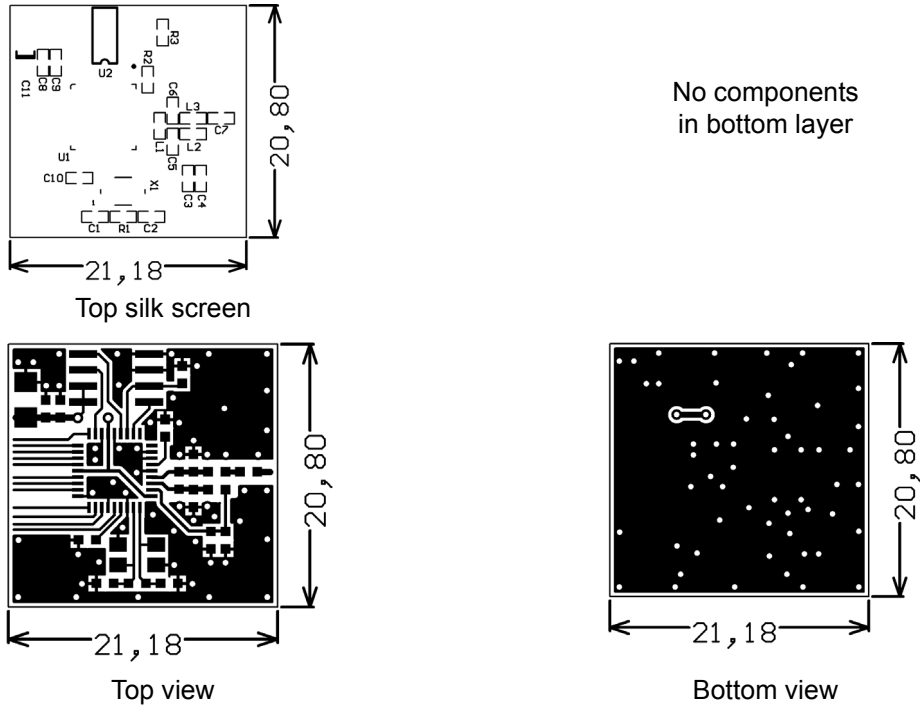


Figure 28. nRF24Z1 ARX PCB layout

18.2.1 Bill of Materials

18.2.2 ATX BoM

Designator	Value	Description	Footprint
C1	15pF	Capacitor, NP0, +/- 5%	0603
C2	15pF	Capacitor, NP0, +/- 5%	0603
C3	2.2nF	Capacitor, X7R, +/- 10%	0603
C4	4.7pF	Capacitor, NP0, +/- 5%	0603
C5	1pF	Capacitor, NP0, +/- 0.1 pF	0603
C6	1pF	Capacitor, NP0, +/- 0.1 pF	0603
C7	1.5pF	Capacitor, NP0, +/- 0.25pF	0603
C8	10nF	Capacitor, X7R, +/- 10%	0603
C9	1nF	Capacitor, X7R, +/- 10%	0603
C10	33nF	Capacitor, X7R, +/- 10%	0603
C11	10µF	Capacitor, Tantalum, +/- 20%	1206
L1	3.3nH	TOKO LL1608-FS chip inductor series ¹	0603
L2	10nH	Chip Inductor, +/- 5%	0603
L3	3.3nH	TOKO LL1608-FS chip inductor series ¹	0603
R1	1MΩ	Resistor, 10%	0603
R2	22kΩ	Resistor, 1 %	0603
R3	47kΩ	Resistor, 5%	0603
R4	47kΩ	Resistor, 5%	0603
U1	nRF24Z1	2.4 GHz audio streamer	QFN36L/6×6
X1	16 MHz	Crystal (section 17.2 on page 78), C _L =9pF, ESR < 100Ω, +/-30ppm	

1. Inductance versus frequency may differ significantly in inductors with the same value but with different part numbers and/or vendors! Inductor value is usually characterized at 100-250 MHz, but the actual value at 2.4 GHz may vary significantly even though the given inductance at 250 MHz is the same. Inductors from other TOKO series and other vendors may well be used, but antenna matching network performance MUST be verified as the inductor value may need to be changed.

Table 46. Bill of Materials

18.3 ARX BoM

Designator	Value	Description	Footprint
C1	15pF	Capacitor, NP0, +/- 5%	0603
C2	15pF	Capacitor, NP0, +/- 5%	0603
C3	2.2nF	Capacitor, X7R, +/- 10%	0603
C4	4.7pF	Capacitor, NP0, +/- 5%	0603
C5	1pF	Capacitor, NP0, +/- 0.1 pF	0603
C6	1pF	Capacitor, NP0, +/- 0.1 pF	0603
C7	1.5pF	Capacitor, NP0, +/- 0.25pF	0603
C8	10nF	Capacitor, X7R, +/- 10%	0603
C9	1nF	Capacitor, X7R, +/- 10%	0603
C10	33nF	Capacitor, X7R, +/- 10%	0603
C11	10µF	Capacitor, Tantalum, +/- 20%	1206
L1	3.3nH	TOKO LL1608-FS chip inductor series ¹	0603
L2	10nH	Chip Inductor, +/- 5%	0603
L3	3.3nH	TOKO LL1608-FS chip inductor series*	0603
R1	1MΩ	Resistor, 10%	0603
R2	22kΩ	Resistor, 1 %	0603
R3	47kΩ	Resistor, 5%	0603
U1	nRF24Z1	2.4 GHz audio streamer	QFN36L/6x6
U2	25XX640	EEPROM	SO-8
X1	16MHz	Crystal (see section 17.2 on page 78), C _L =9pF, ESR < 100Ω, +/-30ppm	

1. Inductance versus frequency may differ significantly in inductors with the same value but different part numbers and/or vendors! Inductor value is usually characterized at 100-250 MHz, but the actual value at 2.4 GHz may vary significantly even though the given inductance at 250 MHz is the same. Inductors from other TOKO series and other vendors may well be used, but antenna matching network performance MUST be verified as the inductor value may need to be changed.

Table 47. nRF24Z1 ARX BoM

19 Glossary

Term	Description
ADC	Analog to Digital Converter
AFH	Adaptive Frequency Hopping
ARX	Audio Receiver
ATX	Audio Transmitter
BER	Bit Error Rate
BoM	Bill of Materials
CD	Carrier Detect
CPHA	SPI Clock Phase
CLK	Clock
CPOL	SPI Clock Polarity
CRC	Cyclic Redundancy Check
CSN	Chip Select Not
DAC	Digital to Analog Converter
DSP	Digital Signal Processor
EEPROM	Electrical Erasable Programmable Read Only Memory
FIFO	First In First Out
Flash	Flash Memory
GFSK	Gaussian Frequency Shift Keying
GPIO	General Purpose In Out
I2S	3-wire audio serial interface
ISM	Industrial-Scientific-Medical
kSPS	kilo Samples Per Second
Latency	Audio delay from ATX input to ARX output
LPCM	Linear PCM (pulse code modulation)
LSB	Least Significant Bit
Mbps	Megabits per second
MBZ	Must Be Zero
MCU	Micro Controller Unit
MP3	MPEG3, audio compression format
MSB	Most Significant Bit
PCB	Printed Circuit Board
PWM	Pulse Width Modulation
QoS	Quality of Service
RX	Receive
S/PDIF	One-wire serial digital audio format
SPI	Serial Peripheral Interface
TX	Transmit
2-wire	2-wire serial interface compatible with I2C

Table 48. Glossary of terms