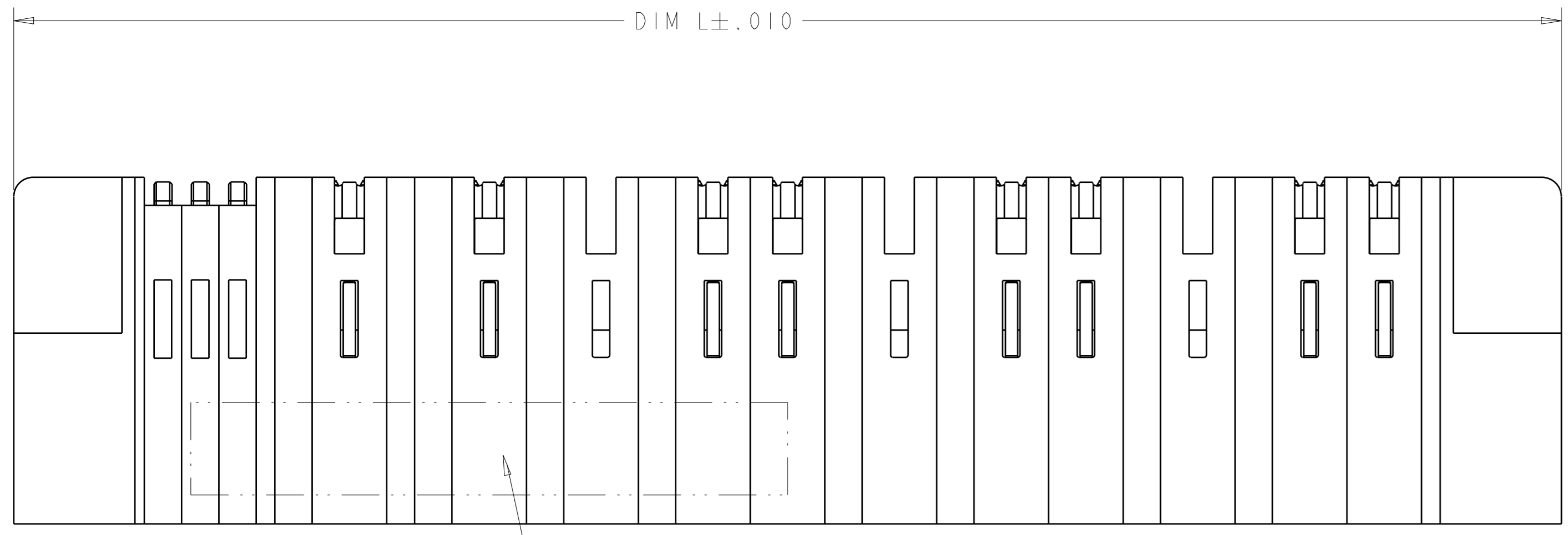
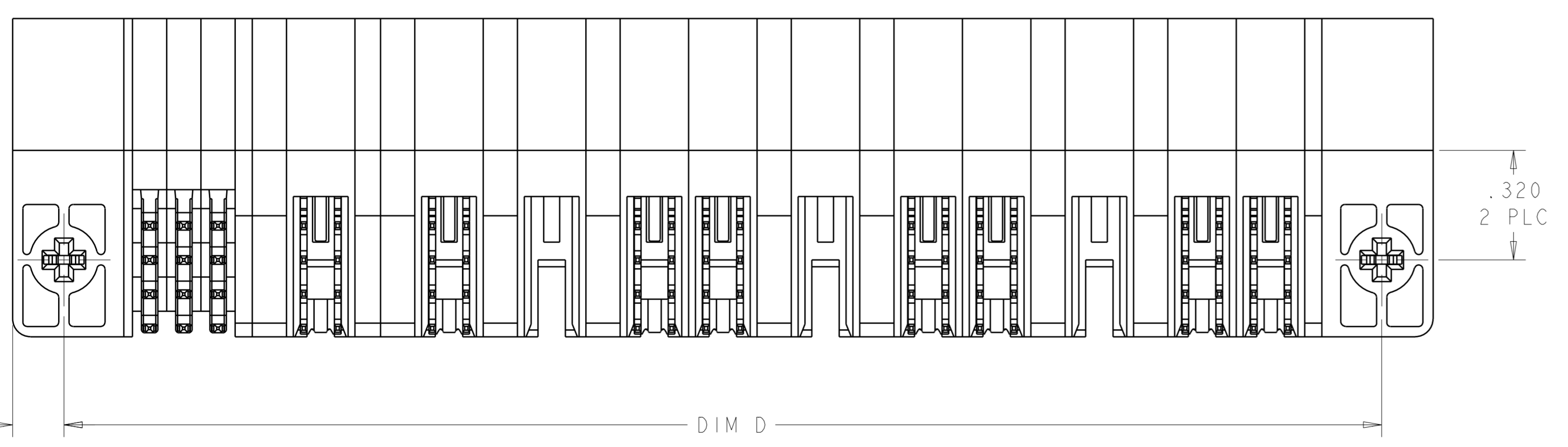
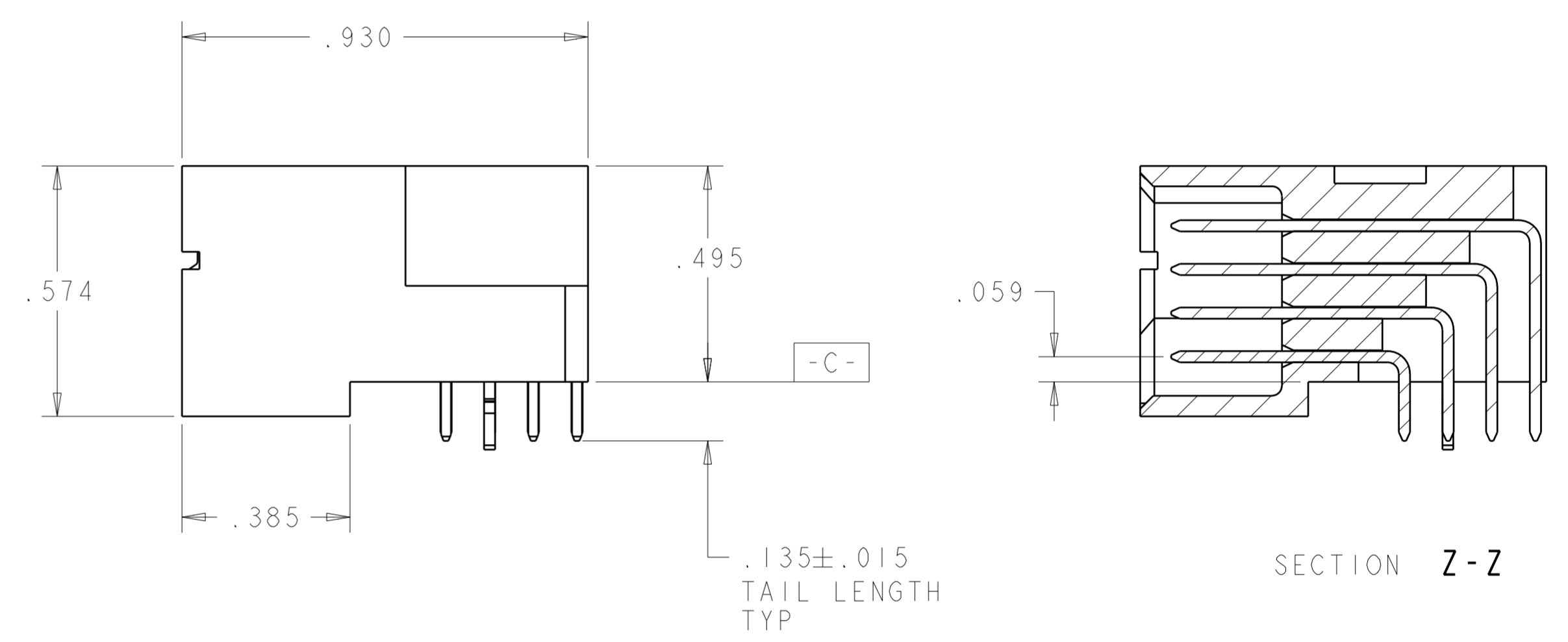
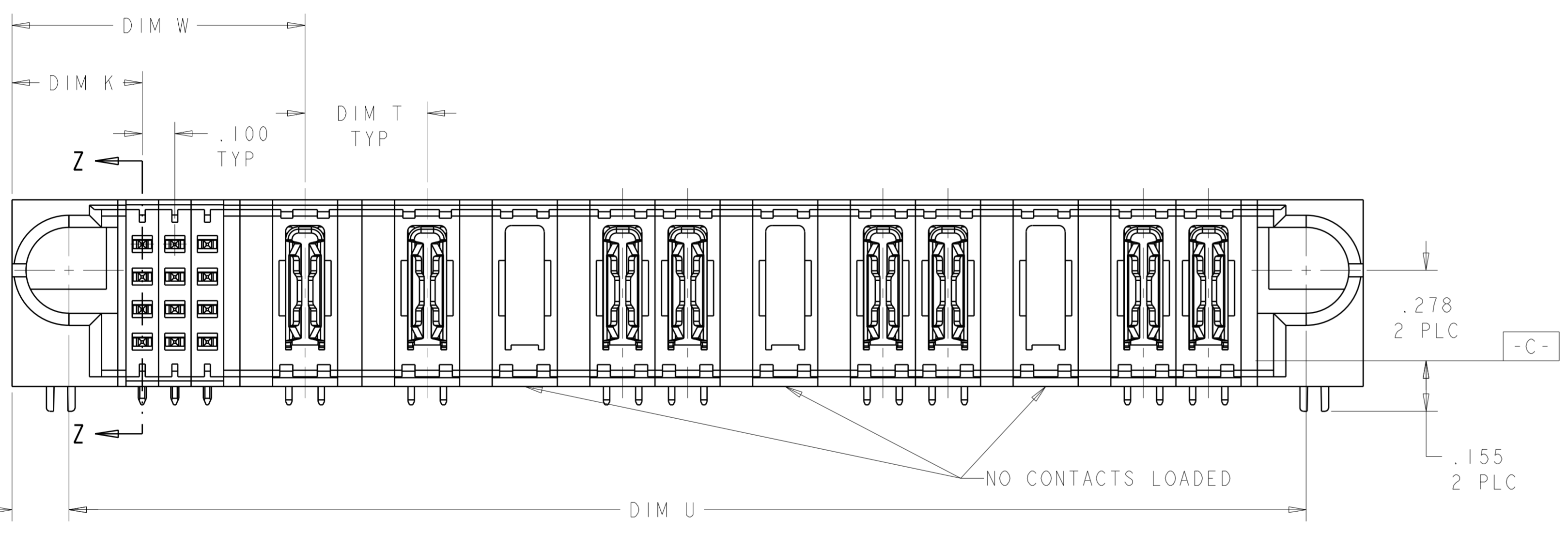


LOC	DIST	REVISIONS			
P	LTR	DESCRIPTION	DATE	DWN	APVD
A		REV PER ECR-07-005375	09MAY2007	CZ	SY



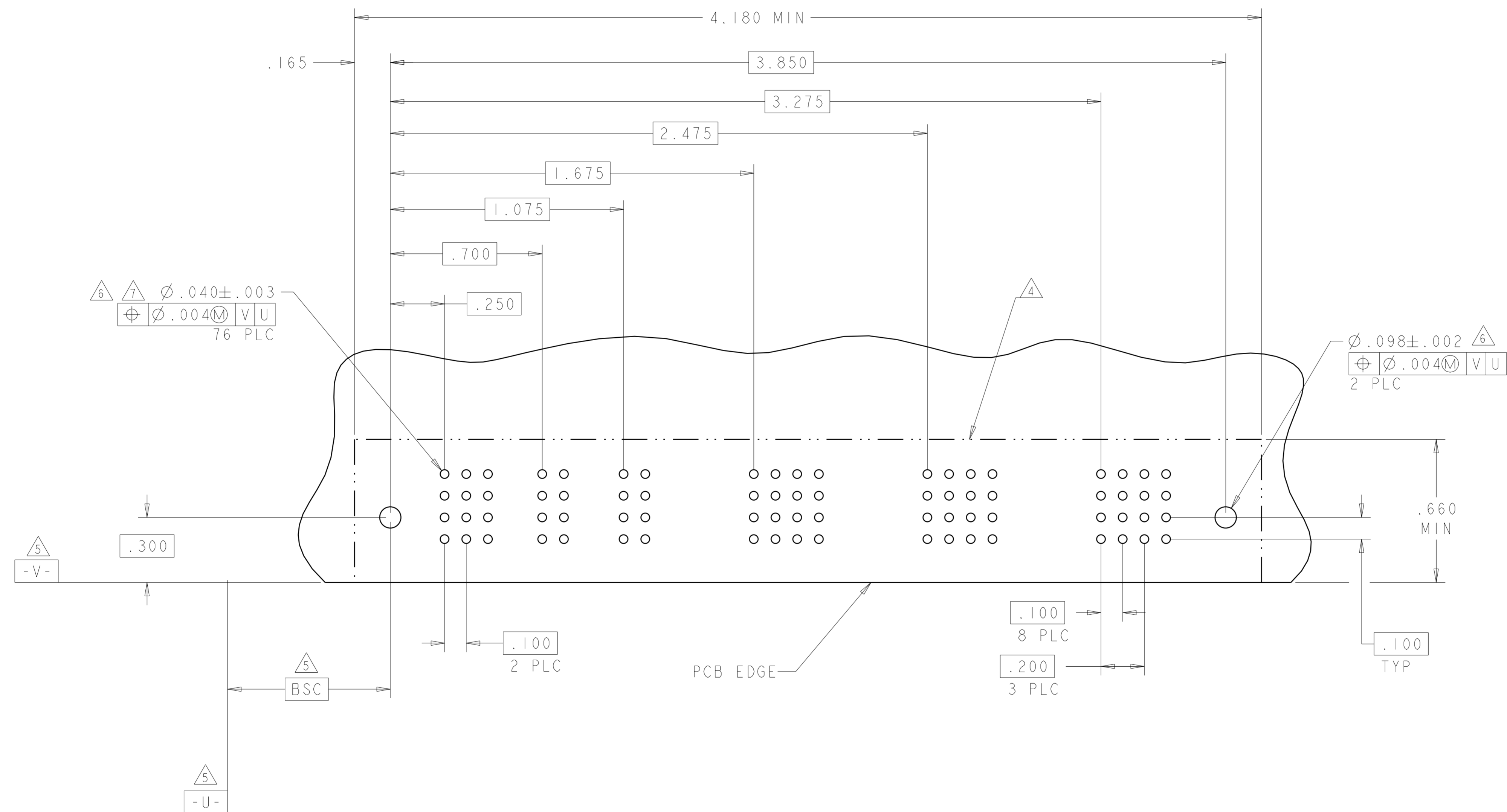
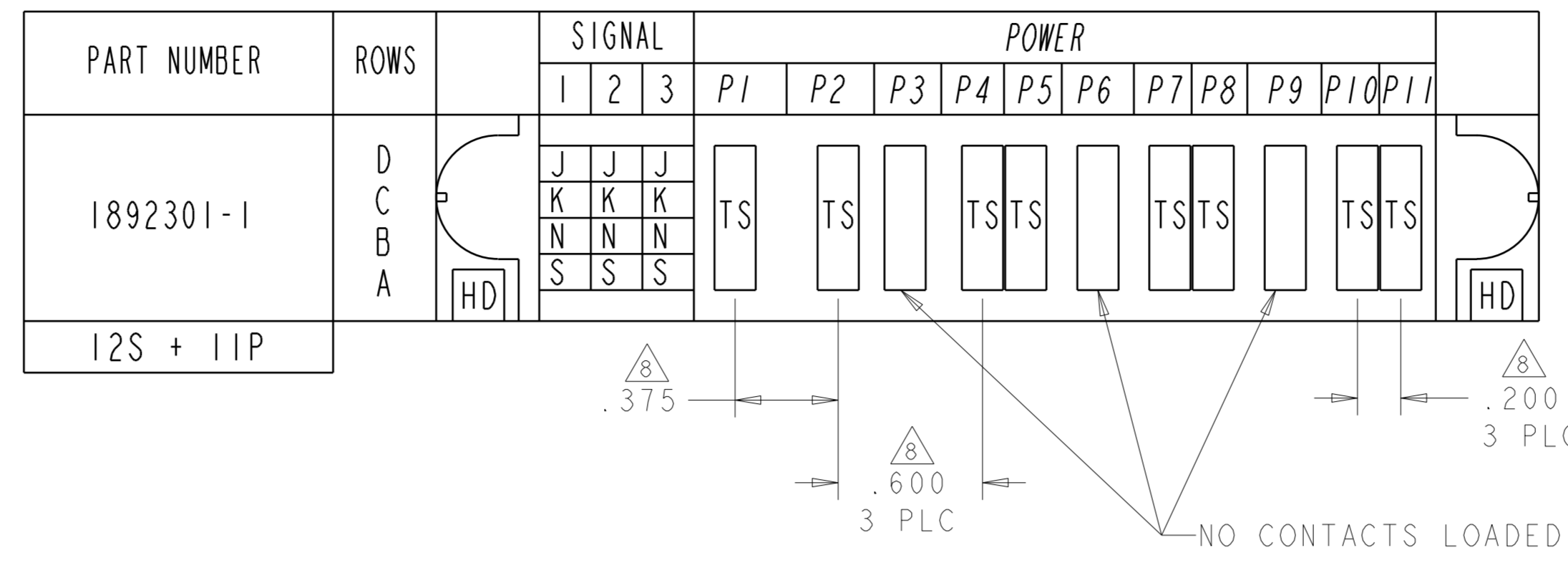
- 1 PART NUMBER, AND DATE CODE MARKED IN AREA SHOWN.
- 2 MATERIAL:  
 HOUSING - GLASS FILLED HIGH TEMP THERMO PLASTIC, UL94 V-0  
 SIGNAL CONTACT - COPPER ALLOY  
 POWER CONTACT - HIGH CONDUCTIVITY COPPER ALLOY
- 3 CONTACT PLATING:  
 SIGNAL CONTACTS - .000050 MIN Ni UNDER ALL.  
 .000030 MIN Au ON CONTACT AREA.  
 .000100 MIN Sn AT PCB INTERFACE.  
 POWER CONTACTS - .000050 MIN Ni UNDER ALL.  
 .000030 MIN Au ON CONTACT AREA.  
 .000100 MIN Sn AT PCB INTERFACE.
- 4 MECHANICAL CONNECTOR KEEP OUT ZONE.
- 5 DATUM AND BASIC DIMENSIONS ESTABLISHED BY CUSTOMER.
- 6 PCB - ALL HOLE DIAMETERS ARE FINISHED HOLE SIZES.
- 7 PCB - .0453±.0010 DRILLED HOLES PLATED WITH .0003 MIN Sn OVER .001 TO .003 Cu PLATING TO ACHIEVE A .040 HOLE.
- 8 VARIABLE DIMENSION SHOW ON (SHEET 2).



-8	3.850	3.800	.900	.400	4.150	12S + 11P	1892301-1
DIM T	DIM D	DIM U	DIM W	DIM K	DIM L	DESCRIPTION	PART NUMBER

DIMENSIONS: INCHES		TOLERANCES UNLESS OTHERWISE SPECIFIED:		DWN C. ZHOU 09MAY2007		Tyco Electronics Incorporated Shanghai, P.R. China, 200233	
0 PLC	±	1 PLC	±.01	APVD	S. YAO	NAME	
2 PLC	±.005	3 PLC	±.002	PRODUCT SPEC	108-1973		
4 PLC	±.002	ANGLES	±30°	APPLICATION SPEC	114-13038		
MATERIAL		FINISH		WEIGHT	SIZE		RESTRICTED TO
					A   00779   C-1892301		
CUSTOMER DRAWING				SCALE		SHEET 1 OF 2 REV A	

LOC	DIST	REVISIONS					
ES	00	PT	LTR	DESCRIPTION	DATE	DWN	APVD
				SEE SHEET 1			



ROW	DESCRIPTION	CODE
D	SIGNAL CONTACT, STD	J
C	SIGNAL CONTACT, STD	K
B	SIGNAL CONTACT, STD	N
A	SIGNAL CONTACT, STD	S
-	POWER CONTACT, DUAL BEAM	TS

THIS DRAWING IS A CONTROLLED DOCUMENT FOR TYCO ELECTRONICS CORPORATION. IT IS SUBJECT TO CHANGE AND THE CONTROLLING ENGINEERING DEPARTMENT SHOULD BE CONTACTED FOR THE LATEST REVISION.		DWN C. ZHOU CHK S. YAO DATE 09MAY2007 NAME S. YAO TITLE S. YAO	09MAY2007 Tyco Electronics Incorporated Shanghai, P.R. China, 200233
DIMENSIONS: INCHES 	TOLERANCES, UNLESS OTHERWISE SPECIFIED: 0 PLC ± 1 PLC ± 2 PLC ±.01 3 PLC ±.005 4 PLC ±.0020 ANGLES ±30°	PRODUCT SPEC 108-1973 APPLICATION SPEC 114-13038 WEIGHT A   00779 C=1892301	RESTRICTED TO SCALE 4:1 SHEET 2 OF 2 REV A
MATERIAL		CUSTOMER DRAWING	