

THIS DRAWING IS UNPUBLISHED. RELEASED FOR PUBLICATION SEP ,2005.

© COPYRIGHT 2005 By - ALL RIGHTS RESERVED.

LOC	DIST	REVISIONS			
P	LTR	DESCRIPTION	DATE	DWN	APVD
E	B	C	ECR-05-010526	14SEP05	JMS FWK
		C1	ECO-11-018901	16SEP11	TITAN MARTIN

NOTES:

- 1 PACK IN ACCORDANCE WITH AMP SPEC 107-3275
- 2 100 TRAY PACK IN ACCORDANCE WITH AMP SPEC 107-3275
- 3 Au PLATING
- 4 Ni PLATING
- 5 THIS ITEM MUST BE WHITE

6. ELECTRICAL CHARACTERISTICS

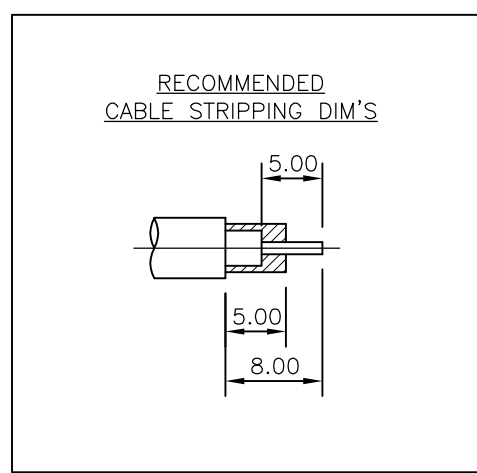
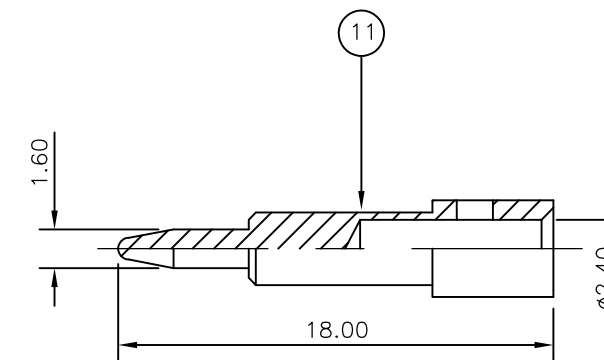
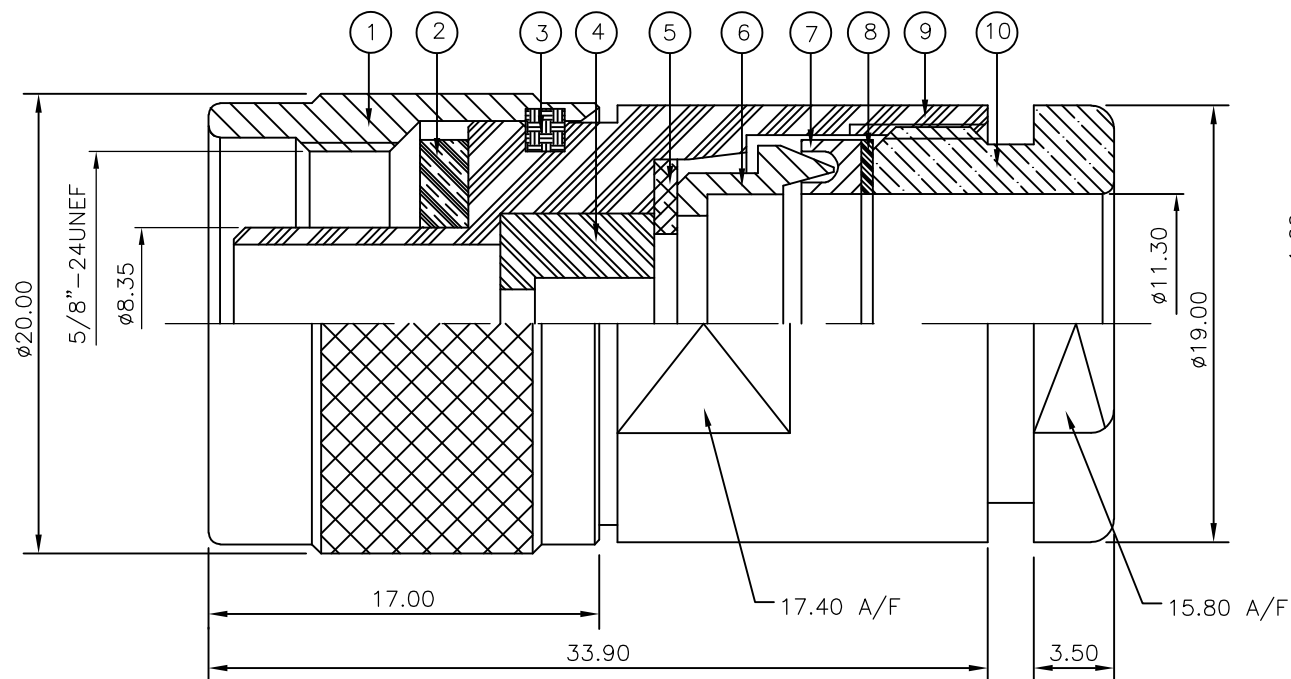
FREQUENCY RANGE:	DC - 11 GHz
NOMINAL IMPEDANCE:	50 Ohm
INSULATION RESISTANCE:	5000 MOhm
WORKING VOLTAGE:	1000 Volts RMS at Sea Level
DIELECTRIC WITHSTAND VOLTAGE:	2500 Volts RMS Max
CONTACT RESISTANCE:	
CENTRE CONTACT:	1.00 mOhm Max
OUTER CONTACT:	1.00 mOhm Max
VSWR @ 4GHz:	1.30:1 Max
INSERTION LOSS dB @ x 4 GHz:	0.30 Max

7. MECHANICAL CHARACTERISTICS

COUPLING NUT RETENTION FORCE:	445N Min
CABLE RETENTION FORCE:	350N Min
CLAMP NUT RECOMMENDED TORQUE:	4.5N
DURABILITY:	500 Cycles Min

8. ENVIRONMENTAL CHARACTERISTICS

OPERATING TEMPERATURE:	-65 to +165 DegC
------------------------	------------------



QTY	UNIT	MATERIAL	DESCRIPTION	ITEM
1	1	BRASS	CONTACT	11
1	1	BRASS	CLAMP NUT	10
1	1	BRASS	BODY	9
1	1	BRASS	WASHER	8
1	1	SILICON RUBBER	GASKET	7
1	1	BRASS	SLEEVE	6
1	1	BRASS	WASHER	5
1	1	PTFE	INSULATION	4
1	1	BRASS	CIRCLIP	3
1	1	SILICON RUBBER	GASKET	2
1	1	BRASS	SHELL	1
6--0	1--0	MATERIAL	DESCRIPTION	ITEM

THIS DRAWING IS A CONTROLLED DOCUMENT.		DWN	J.SANDWELL	14SEP05
DIMENSIONS: mm		CHK	S.PARLOW	14SEP05
TOLERANCES UNLESS OTHERWISE SPECIFIED:		APVD	F.WHEELER-KING	14SEP05
0 PLC	± -	PRODUCT SPEC		
1 PLC	± 0.2	108-3435		
2 PLC	± 0.1	APPLICATION SPEC		
3 PLC	± 0.05	411-3252		
4 PLC	± -	WEIGHT -		
ANGLES	± 5°	CUSTOMER DRAWING		
MATERIAL	FINISH	SCALE NTS		
SEE TABLE	SEE TABLE	SHEET 1 OF 1		
		REV C1		

TE Connectivity

NAME: TYPE-N STRAIGHT PLUG SOLDER 50 OHM PSF 1/4M, RG8A/U, 213/U, URM67, KX4

SIZE: A3 CAGE CODE: 00779 DRAWING NO: C-1337400 RESTRICTED TO: -