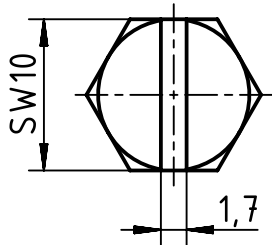
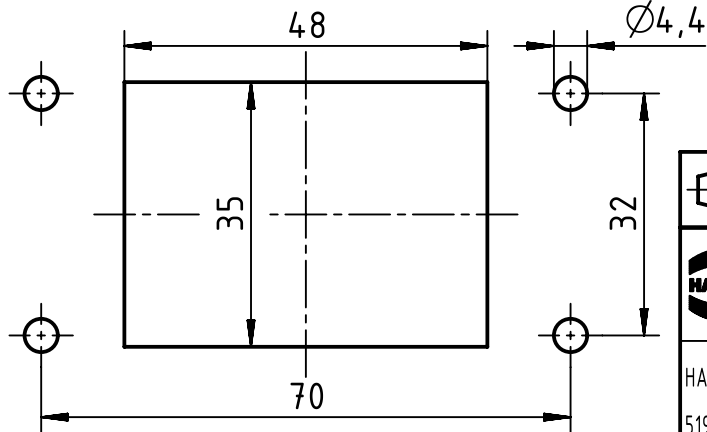


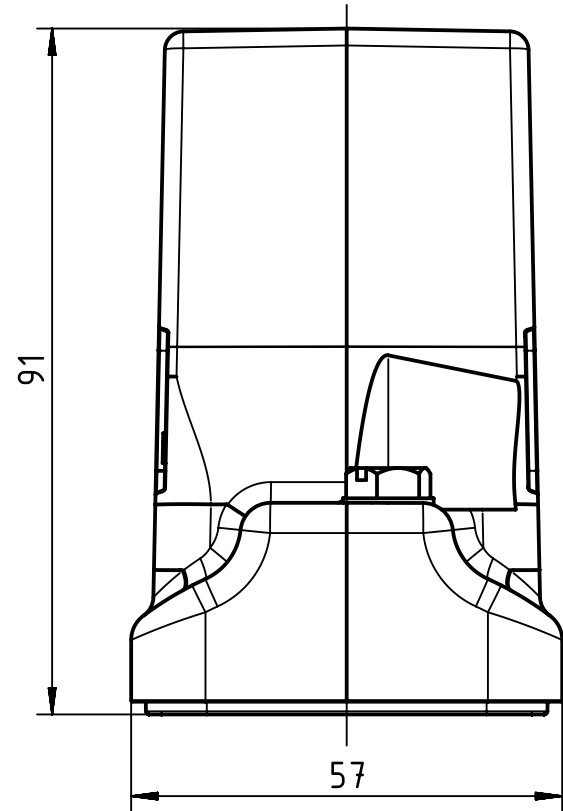
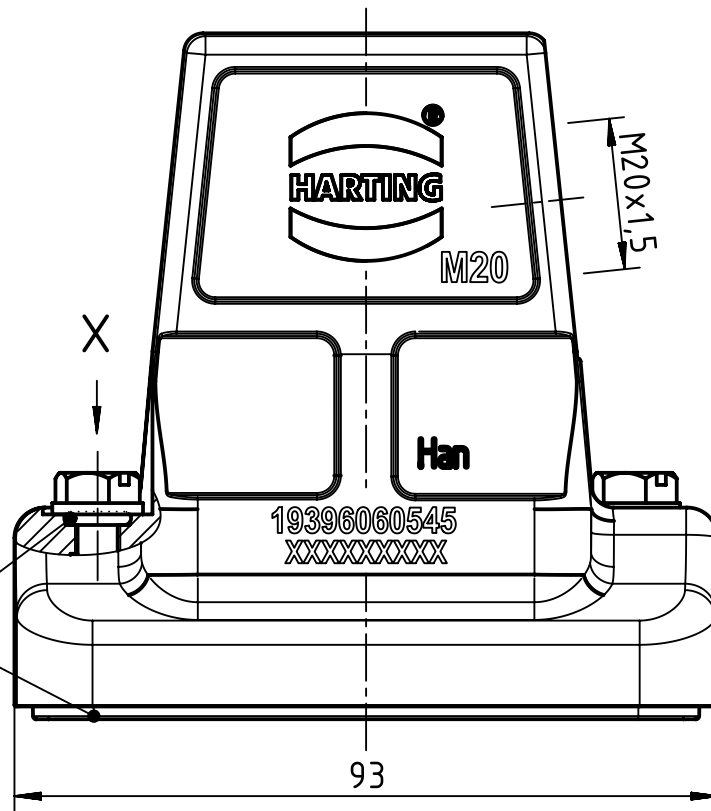
X (2:1)




Panel cut out



Seal



	All rights reserved Department EL PD - CN	All Dimensions in mm Original Size DIN A4			Scale 1:1	Free size tol.	Ref.
		Created by LONGL	Inspected by WENE	Standardisation TIEMANNA	Date 2017-03-22	State Final Release	
HARTING (Zhuhai) Manufacturing Co., Ltd. 519085 Zhuhai, China		Title Han 6HP Direct/B-HSE-M20				Doc-Key / ECM-Nr. 100661488/UGD/003/C 500000117076	
		Type TB	Number 19 39 606 0545			Rev. C	Page 1/1