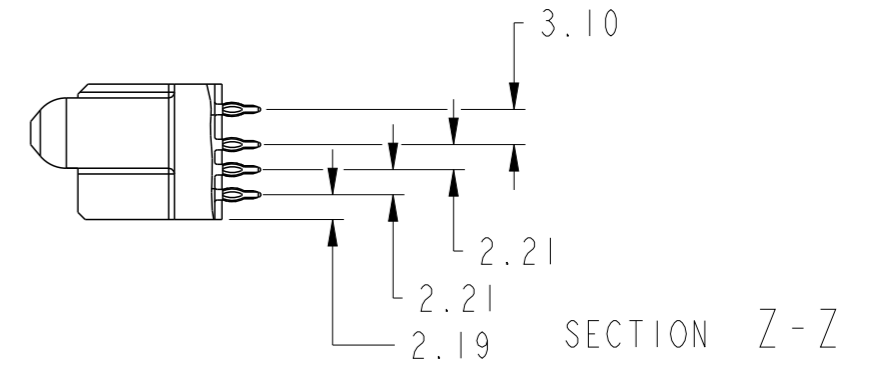
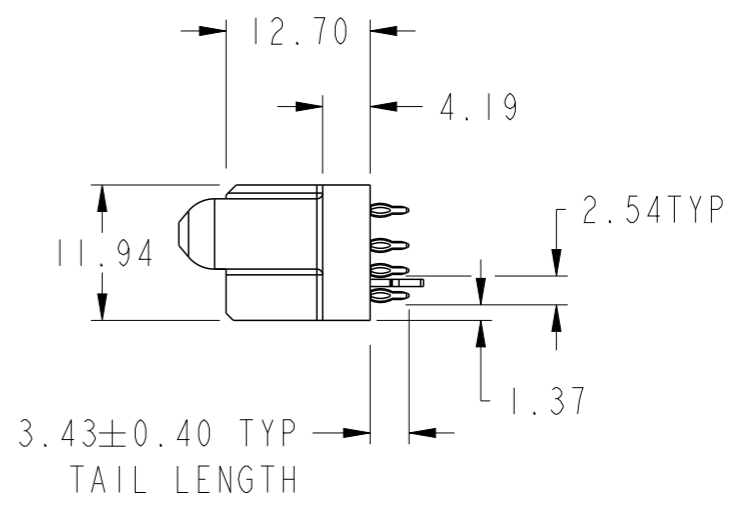
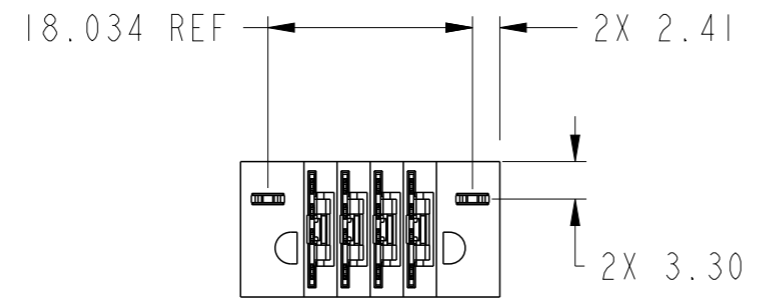
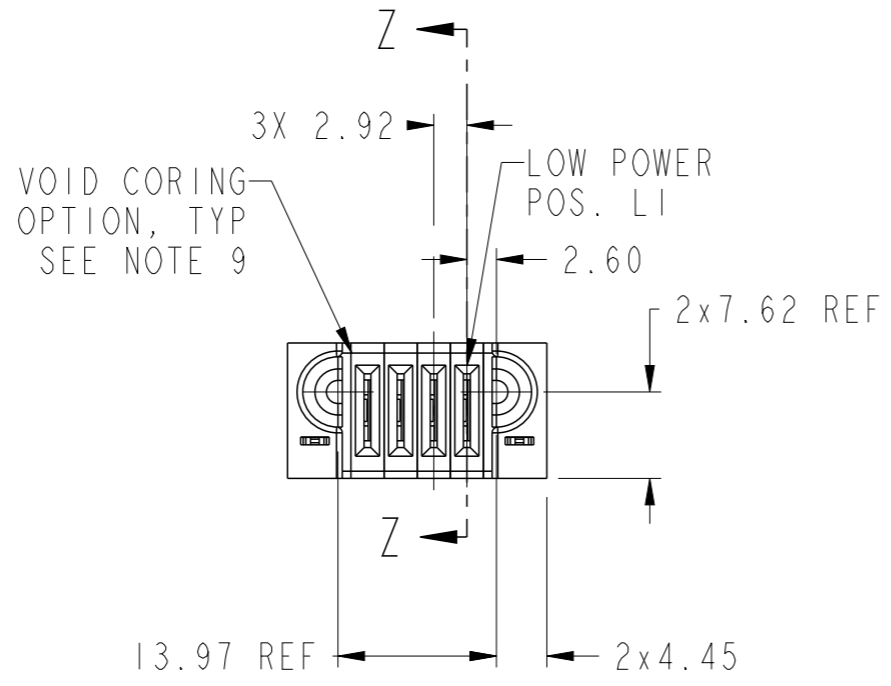
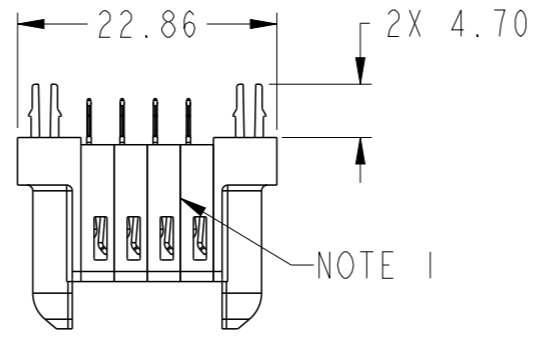


PRODUCT NUMBER SEE SHEET 2

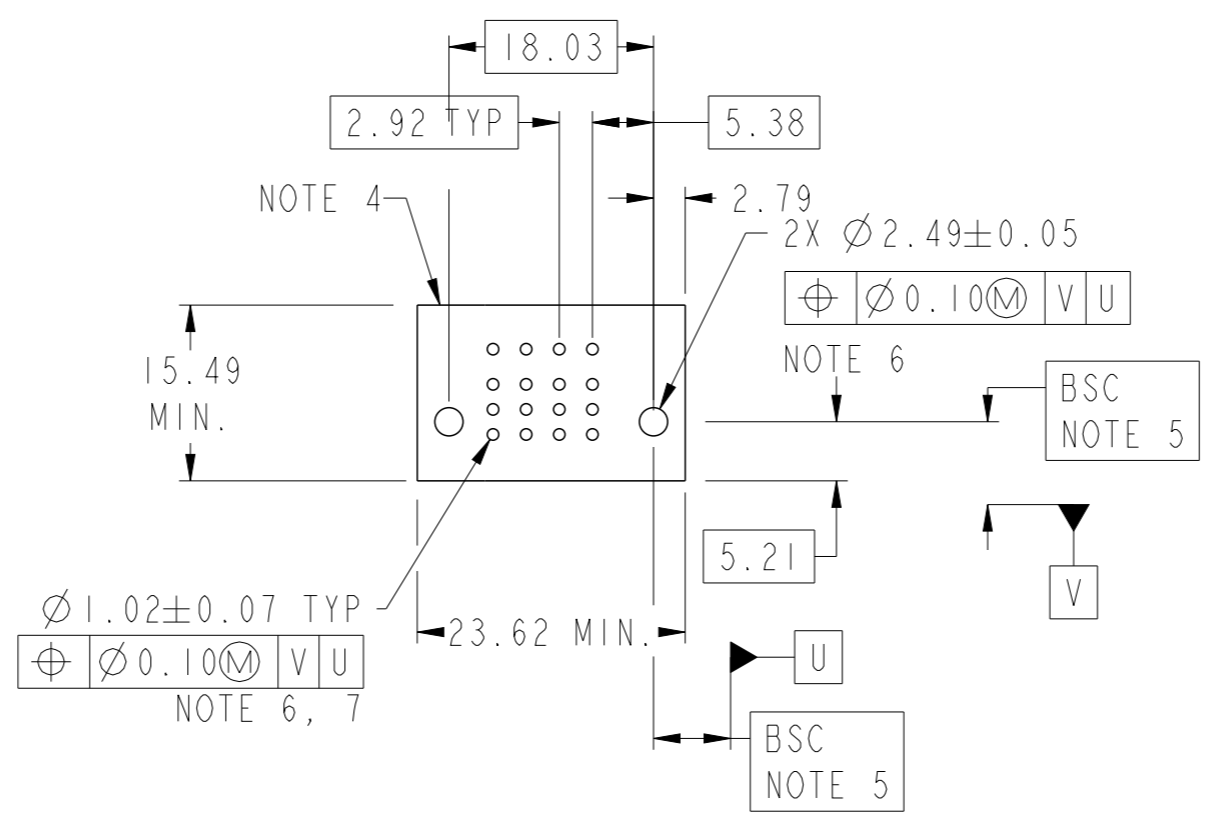


spec ref		dr	Xie Bob	2013/06/04	projection	MM	size	A3	scale	3:2	
tolerance std		eng	Xie Bob	2013/06/20			ecn no	-			
ASME Y14.5		TOLERANCES UNLESS OTHERWISE SPECIFIED			chr	Li-He	2013/06/19	rel level			Released
surface	linear	0.X	±0.50		www.fci.com	cat. no.	Product - Customer Drw	sheet 1 of 3	rev		
		0.XX	±0.25						4LP	10106269-0400001	A
ASME Y14.5	angular	0°	±2°		VT PF RECEPTACLE		STATUS:Released		Printed: Jun 20, 2013		

Copyright FCI. FCI

PRODUCT NO.	ROWS	LP					
		E1	P4	P3	P2	P1	E2
10106269-0400001LF	DCBA						

CODE	DESCRIPTION
HA	METAL HOLD DOWN
LT	STD LOW POWER CONTACT (3.43)



Copyright FCI.

dr	Xie Bob	2013/06/04	projection	MM	size	A3	scale	3:2
eng	Xie Bob	2013/06/20		←→	ecn no	-	rel level	Released
chr	Li-He	2013/06/19						
appr	Pei-Ming Zheng	2013/06/20	product family	PowerBlade+				
			title	4LP VT PF RECEPTACLE		dwg no	10106269-0400001	
www.fci.com			cat. no.	Product - Customer Drw			sheet 2 of 3	

A

B

C

D

A

B

C

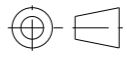
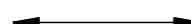

D

NOTES:

- 1) "FCI", PART NUMBER AND DATE CODE TO BE MARKED ON THIS SURFACE.  
THE MARK CAN BE OMITTED IF THERE IS NOT ENOUGH SPACE ON THIS SURFACE.
- 2) MATERIALS:  
-HOUSING - GLASS FILLED WITH HIGH TEMP THERMOPLASTIC, UL94V-0.  
-SIGNAL CONTACT - COPPER ALLOY.  
-POWER CONTACT - HIGH CONDUCTIVITY COPPER ALLOY.
- 3) PLATING SPECIFICATION REFER TO FCI 10116351
- 4) DENOTES CONNECTOR KEEP OUT ZONE.
- 5) DATUM AND BASIC DIMENIONS WERE ESTABLISHED BY CUSTOMER.
- 6) ALL HOLE DIAMETERS ARE FINISHED HOLE SIZES.
- 7) 1.15 ± 0.025MM DRILLED HOLE PLATED WITH 0.00762MM MIN Sn  
OVER 0.0254-0.0762MM Cu PLATING TO ACHIEVE A 1.02 ± 0.07MM HOLE.
- 8) PRODUCT SPECIFICATION REFER TO FCI GS-12-658.  
APPLICATION SPECIFICATION REFER TO FCI GS-20-141.  
PRODUCT PACKAGED IN TRAYS, REFER TO FCI GS-14-1502.
- 9) THE VOID CORING IN BETWEEN POWER MODULES, SIGNAL  
MODULES AND END MODULES ARE OPTIONAL AND THE SHAPE  
MAY BE DIFFERENT FOR OPTIMIZE THE MOLDING PROCESS. THE  
VOID CORING WILL NOT EFFECT TO PRODUCT FUNCTION.



Copyright FCI.

dr	Xie Bob	2013/06/04	projection 	MM 	size	A3	scale	1:1	
eng	Xie Bob	2013/06/20			ecn no	-			
chr	Li-He	2013/06/19			rel level	Released			
appr	Pei-Ming Zheng	2013/06/20	product family	PowerBlade+					
		title	4LP		dwg no	10106269-0400001		rev	A
www.fci.com		cat. no.	Product - Customer Drw		sheet 3 of 3				