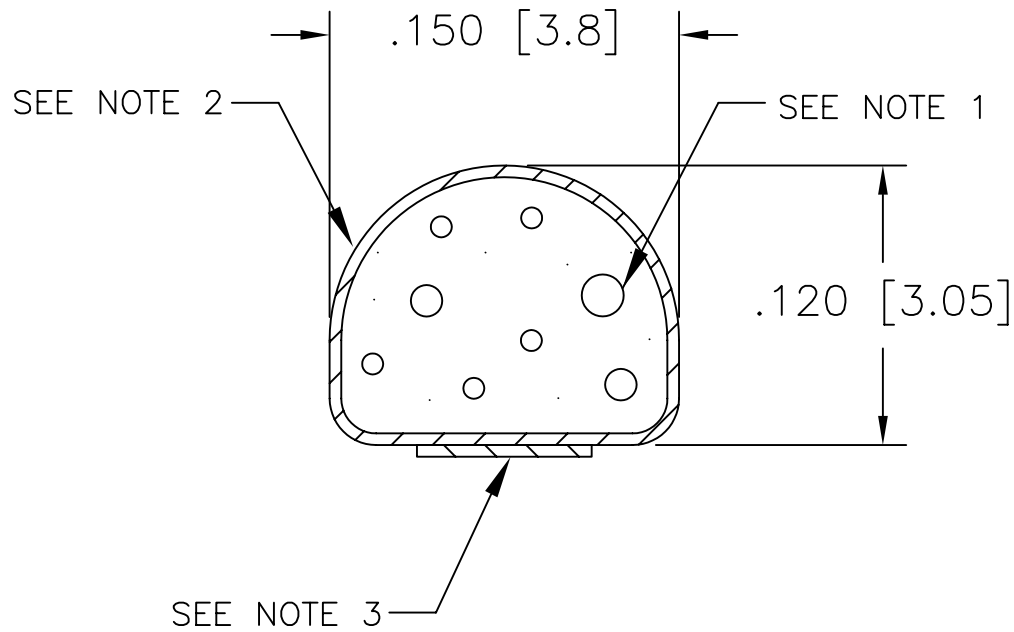


CONFIDENTIAL & PROPRIETARY

THIS INFORMATION IS CONFIDENTIAL AND PROPRIETARY TO LAIRD TECHNOLOGIES. IT MAY NOT BE DISCLOSED TO ANYONE, OTHER THAN LAIRD TECHNOLOGIES PERSONNEL, WITHOUT WRITTEN AUTHORIZATION FROM LAIRD TECHNOLOGIES.



NOTES:

1. FOAM: POLYURETHANE
2. FABRIC: NICKEL PET TAF FR Ecogreen
3. TAPE: .075" TAPE HI-TEMP
4. LINER: NO EXTENDED RELEASE LINER
5. FABRIC SEAM LOCATION MAY VARY.
6. THIS PART IS RoHS COMPLIANT.

REVISIONS:	TITLE:		DRAWN	DATE	SCALE:	DIMENSIONS ARE IN INCHES. UNLESS OTHERWISE SPECIFIED, TOLERANCES ARE AS FOLLOWS:
	SHIELDING GASKET		GIBILTERRA	10/01/07	1/1	
	Dwg. or Part No.		CHECKED BY:	DATE		
	4742-PA-51H		FJG	10/01/07		
	REV.	RELEASED BY:	DATE			
	0	FJG	10/01/07			

DECIMALS	LENGTH	TOLERANCE
.XX ± .03	0" - 6"	± .030"
.XXX ± .020	6" - 11"	± .050"
	11" - 48"	± .100"
	48" - 70"	± .187"
	70" - 144"	± .250"
	ANGLES	± 1/2°

