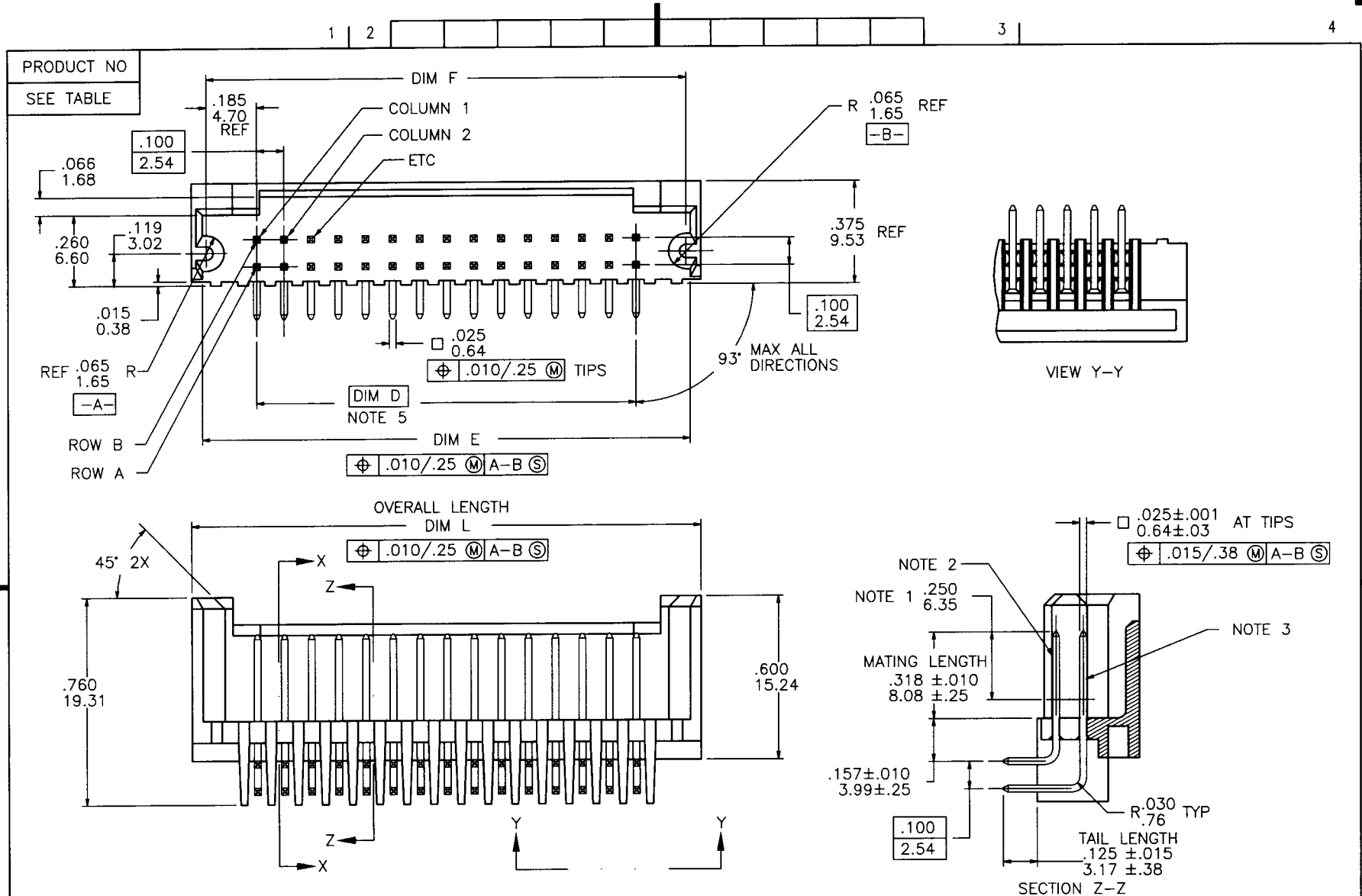


Tous droits strictement réservés. Reproduction ou communication à des tiers interdite sous quelque forme que ce soit sans autorisation écrite du propriétaire. Propriété de ©BERG ELECTRONICS. Droits de reproduction BERG ELECTRONICS INC.

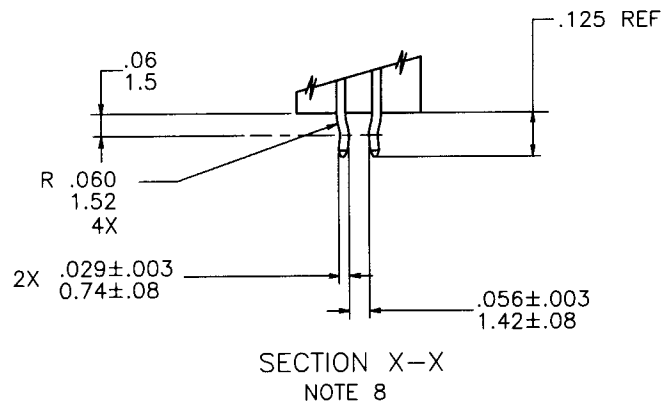
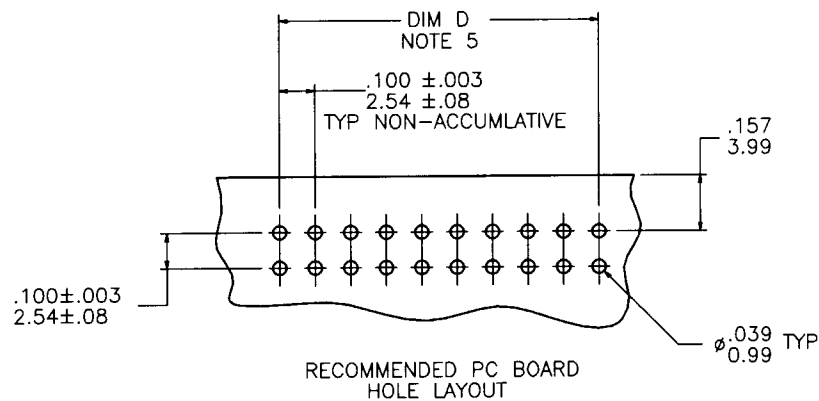
All rights strictly reserved. Reproduction or issue to third parties in any form whatever is not permitted without written authority from the proprietor. Property of ©BERG ELECTRONICS Copyright BERG ELECTRONICS INC.



mat'l. code				tolerances unless otherwise specified		CUSTOMER COPY		BERG ELECTRONICS	
ltr	ecn no	dr	date	linear	.XX ± .01 / X ± .3	projection		title	
A	V81283	EPK	10/19/98		.XXX ± .005 / XX ± .13	INCH/MM		RIGHT ANGLE 2 ROW GUIDE PIN HEADER	
B	V90145	DLH	4/7/99	angles	.XXXX ± .0020 / XXX ± .051	scale		product family HEADERS	
				enr	σ ± z'	2:1		size	
				chr				code	
				appd				69922	
sheet index	revision sheet	B 1	B 2	A 3			A		code
							22526		sheet 1 of 3

Tous droits strictement reserves. Reproduction ou communication a des tiers interdite sous quelque forme que ce soit sans autorisation écrite du propriétaire. Propriete de ©BERG ELECTRONICS. Droits de reproduction BERG ELECTRONICS INC.

All rights strictly reserved. Reproduction or issue to third parties in any form whatever is not permitted without written authority from the proprietor. Property of ©BERG ELECTRONICS Copyright BERG ELECTRONICS INC.



NOTES:

- ① THIS LENGTH OF PIN TO BE FREE OF NICKS, TOOL MARKS, AND PLASTIC SLIVERS.
- ② PIN RETENTION TO BE 3.00 Lbs/1.36 Kgs MIN PER PIN IN EITHER DIRECTION.
- ③ TERMINAL PLATING : SEE PRODUCT TABLE
4. MOLDING MAT'L : MIN 20% GLASS FILLED POLYESTER PER UL-94-V0, COLOR: BLACK.
- ⑤ DIM D =
 (NO. OF COLUMNS - 1) TIMES .100 [ENGLISH].
 (NO. OF COLUMNS - 1) TIMES 2.54 [METRIC].
- ⑥ -XXX REPRESENTS NO. OF COLUMNS.
 (i.e. 2x5 PART IS -005).
 -001 THRU -004 ARE NOT AVAILABLE.
 -005 THRU -100 ARE AVAILABLE.
7. TERMINAL MATERIAL - 3/4 HARD PHOS BRONZE ALLOY UNS C51000.
8. "R" SUFFIX ON PART DASH NUMBER INDICATES RETENTION PINS (KINKED). ON PARTS UP TO 2 X 14, RETENTIVE PINS LOCATED ON THE CENTER TWO COLUMNS. ON PARTS 2 X 15 AND ABOVE, RETENTIVE PINS LOCATED ONE COLUMN FROM THE END. (2 PAIR OF PINS ON EACH END)

mat'l. code				tolerances unless otherwise specified		CUSTOMER COPY			
ltr	ecn no	dr	date	linear	.XX ±.01/.3	projection			
B					.XXX ±.005/.13			RIGHT ANGLE 2 ROW GUIDE PIN HEADER	
				angles	.XXX ±.0020/.050			product family HEADERS	
				dr	0° ±2°			size	
				enr	E KROPIEWNICK 10/19/98			dwg no	
				chr	H. SUNDY 10/19/98	scale		A 69922	
				appd	H. SUNDY 10/19/98	2:1		sheet 2 of	
sheet index	revision sheet							cage code	
								22526	

Tous droits strictement reserves. Reproduction ou communication o des tiers interdite sous quelque forme que ce soit sans autorisation ecrite du proprietaire.
 Propriete de ©BERG ELECTRONICS. Droits de reproduction BERG ELECTRONICS INC.



All rights strictly reserved. Reproduction or issue to third parties in any form whatever is not permitted without written authority from the proprietor.
 Property of ©BERG ELECTRONICS Copyright BERG ELECTRONICS INC.

PRODUCT NO NOTE 6	SIZE NOTE 6	DIM D	DIM F	DIM E	OVERALL LENGTH DIM L	PLATING
69922-XXX	2 x XXX	NOTE 5	.37/9.4 + DIM D	.40/10.2 + DIM D	.48/12.2 + DIM D	15u"/.38u GXT™ OVER 50u"/1.27u Ni
69923-XXX						30u"/.76u GXT™ OVER 50u"/1.27u Ni
69924-XXX						15u"/.38u MIN Au OVER 50u"/1.27 MIN Ni
69925-XXX						30u"/.76u MIN Au OVER 50u"/1.27 MIN Ni
69926-XXX						DUPLEX 30u"/.76u Au & 100u"/2.54u MIN 60/40 SnPb OVER 50u"/1.27 Ni
69927-XXX	2 x XXX	NOTE 5	.37/9.4 + DIM D	.40/10.2 + DIM D	.48/12.2 + DIM D	120u"/3.05u 93/7 SnPb OVER 50u"/1.27u Ni

mat'l. code				tolerances unless otherwise specified		CUSTOMER COPY		BERG ELECTRONICS	
ltr	ecn no	dr	date	linear	.xx ±.01/x ±.3	projection	title		
A					.xxx ±.005/xx ±.13		RIGHT ANGLE 2 ROW GUIDE PIN HEADER		
				angles	.xxx ±.0020/xxx ±.051				
				dr	E KROPIEWNICKI 10/19/98	INCH/MM	product family	HEADERS	code
				enr	H. SUNDY 10/19/98		size	dwg no	sheet
				chr	H. SUNDY 10/19/98		A	69922	3 of
				appd	H. SUNDY 10/19/98				
sheet index	revision sheet								