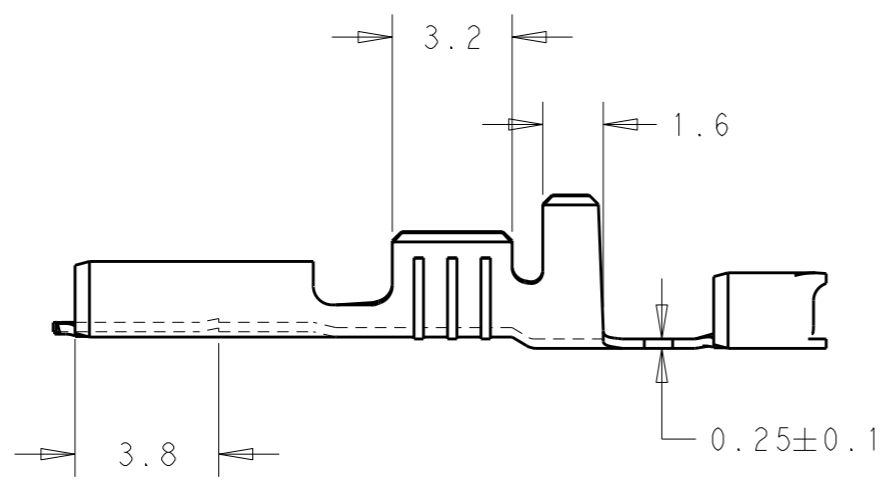
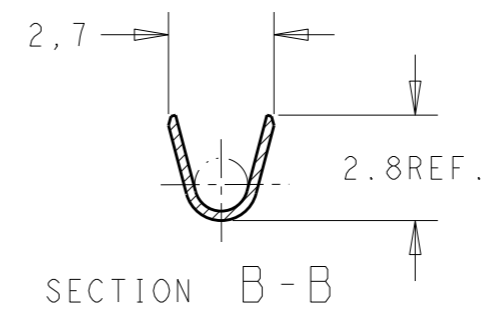
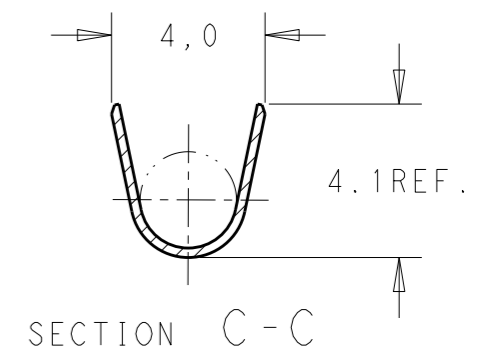
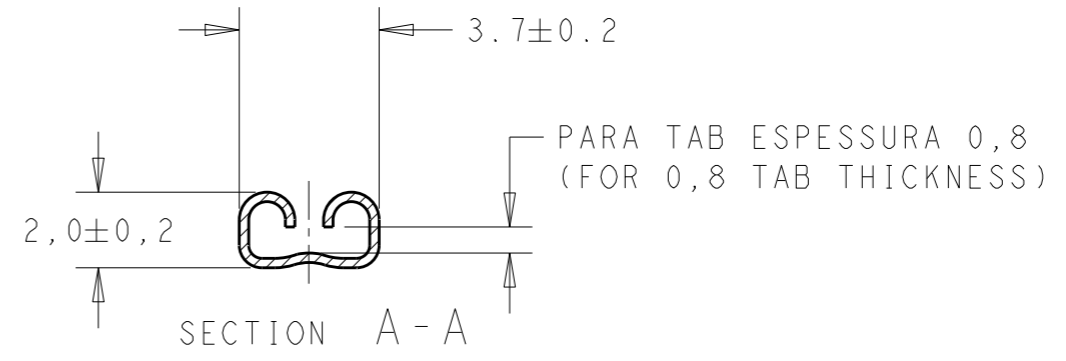
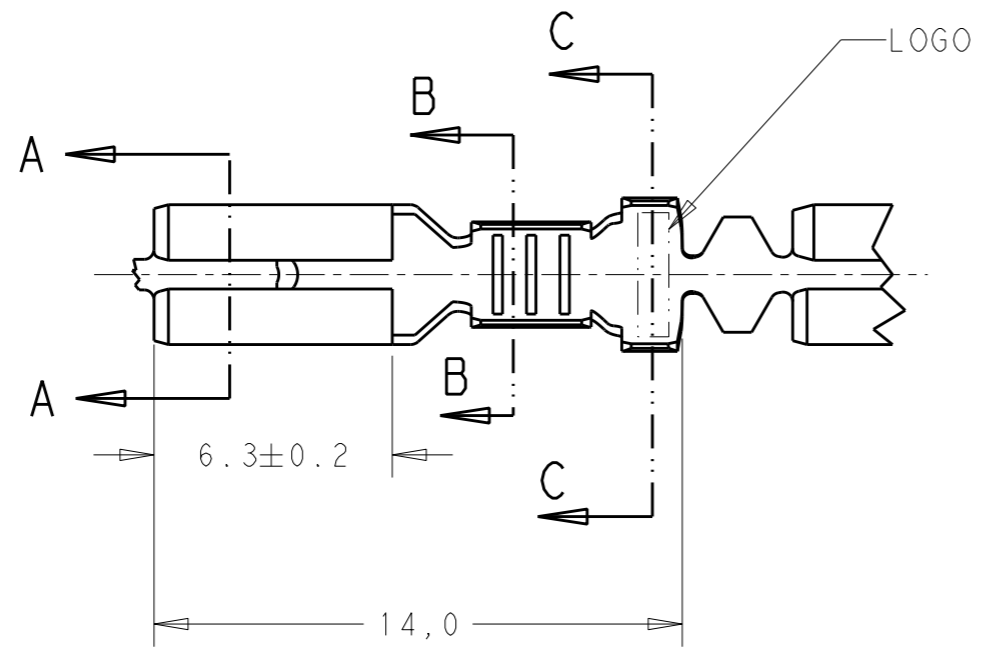


THIS DRAWING IS UNPUBLISHED. RELEASED FOR PUBLICATION 2012
 © COPYRIGHT 2012 ALL RIGHTS RESERVED.


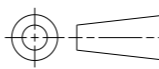
| LOC | DIST | REVISIONS | | | | |
|-----|------|-----------------------|-----------|-----|------|--|
| P | LTR | DESCRIPTION | DATE | DWN | APVD | |
| AP | - | | | | | |
| | R2 | REV. BY ECO-12-013683 | 26JUL2012 | HC | WLS | |



| | | | |
|-------------|----------------------|-------------|-------------|
| 626060-2 | ESTANHADO/TIN-PLATED | LATÃO/BRASS | 626041-2 |
| 626060-1 | - | LATÃO/BRASS | 626041-1 |
| LOOSE PIECE | FINISH | MATERIAL | PART NUMBER |

INS. RANGE: 2,03-3,04mm²
 WIRE RANGE: 0,5-1,5 mm²

THIS DRAWING IS A CONTROLLED DOCUMENT.

| | | | |
|---|--|----------------------------|--|
| DIMENSIONS: mm | TOLERANCES UNLESS OTHERWISE SPECIFIED: | DWN H.C. CANTERI 24JUL2012 |  TE Connectivity .110 SERIES FASTON RECEPTACLE |
|  | 0 PLC ±- | CHK W.L. STEFANI 26JUL2012 | |
| | 1 PLC ±0,3 | APVD - | |
| | 2 PLC ±- | PRODUCT SPEC 108-37014 | |
| MATERIAL - | FINISH - | APPLICATION SPEC 114-2036 | NAME |
| | | WEIGHT - | SIZE A3 |
| | | CUSTOMER DRAWING | CAGE CODE 00779 |
| | | | DRAWING NO C-626041 |
| | | | RESTRICTED TO |
| | | | SCALE 5:1 |
| | | | SHEET 1 OF 1 |
| | | | REV R2 |