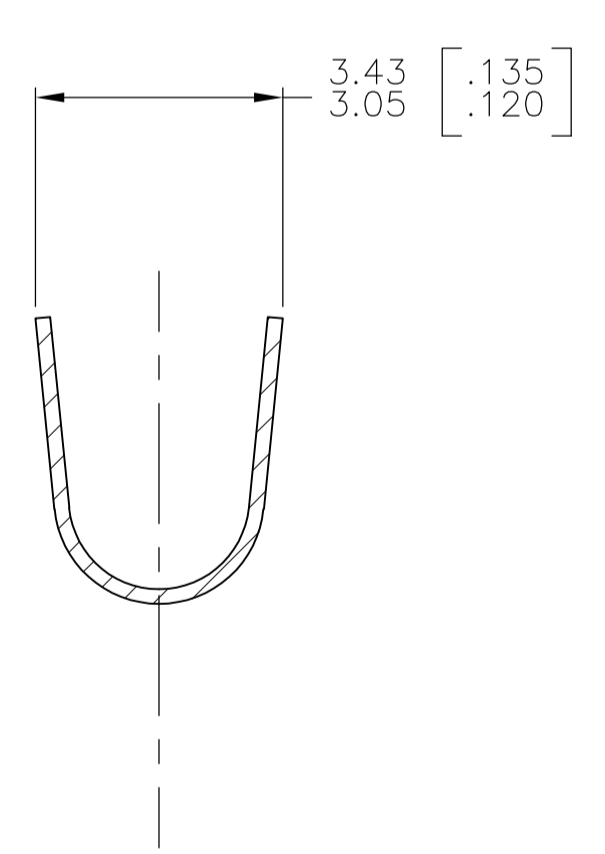
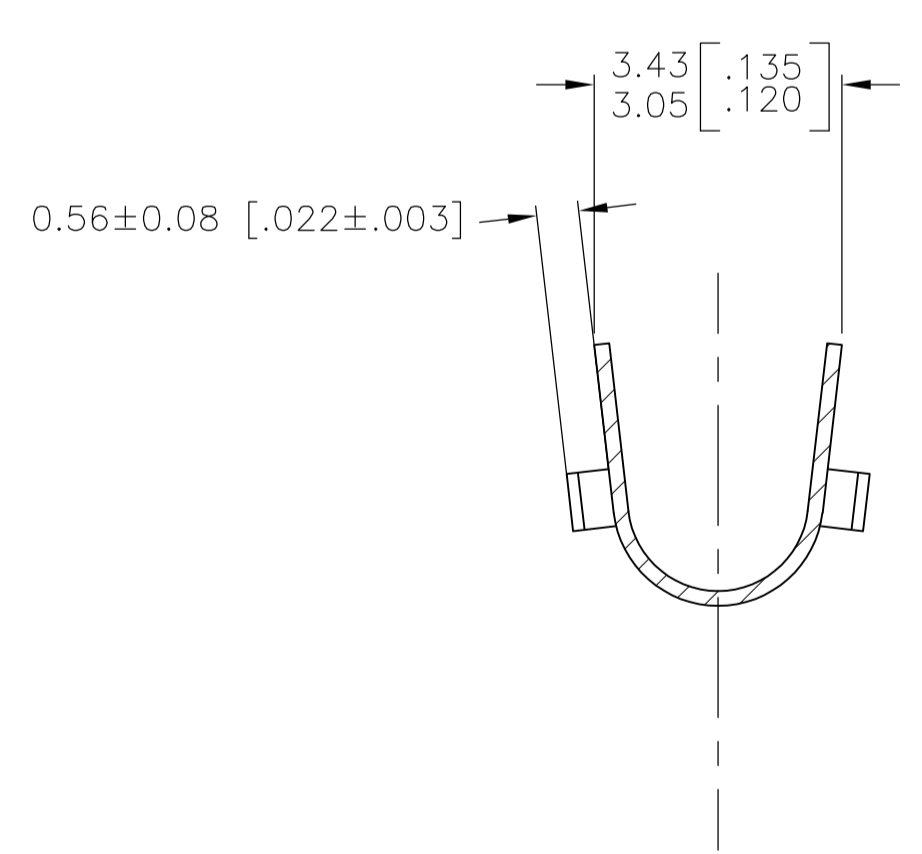


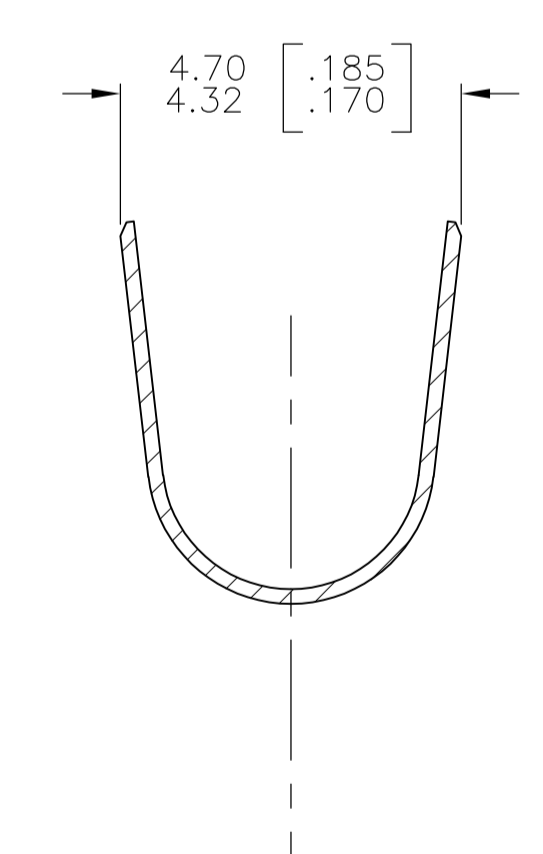
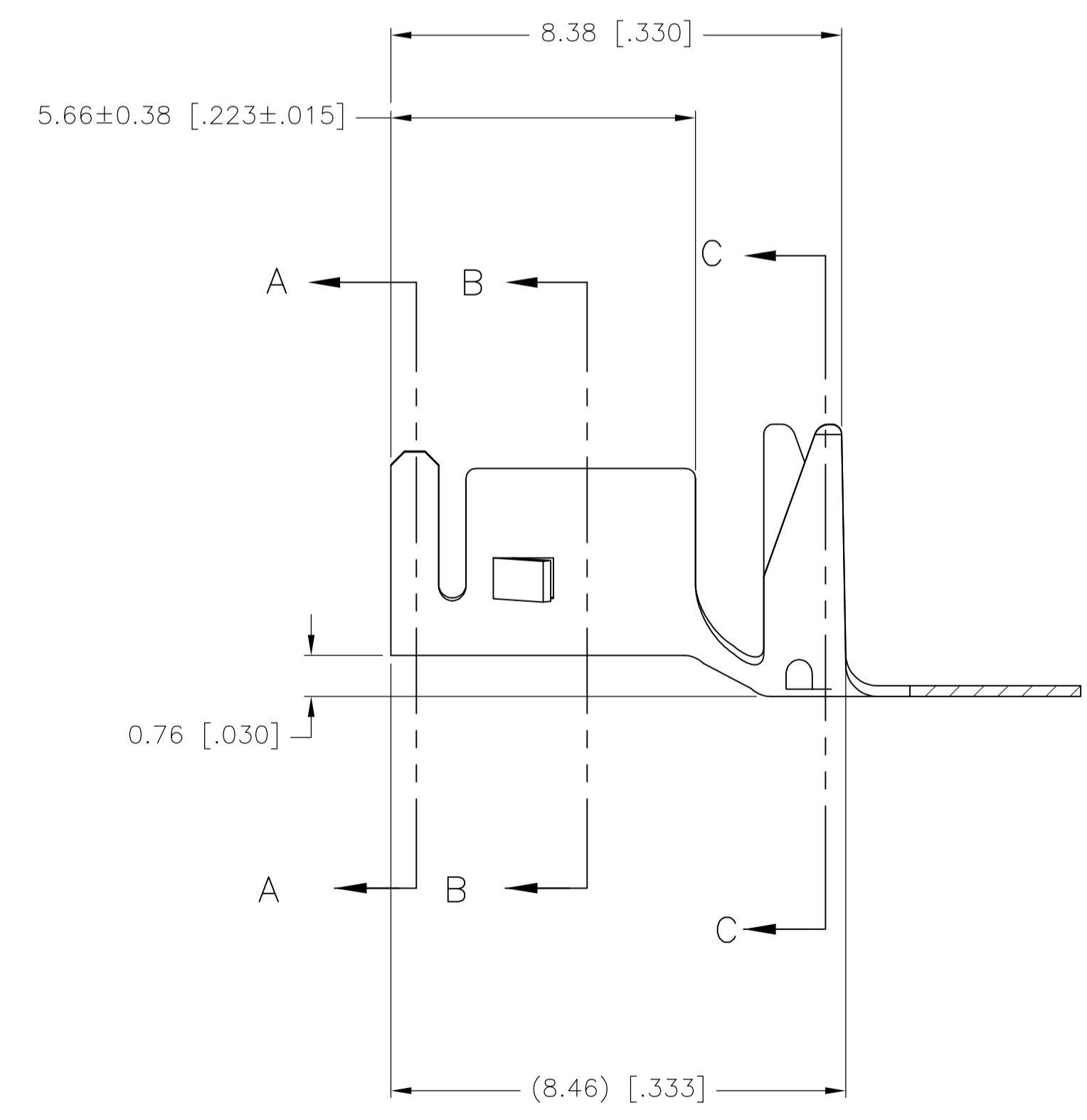
- 1 PARTS MUST MEET TE SOLDERABILITY SPEC. 109-11-3.
- 2 PART FITS IN 3.18 ± 0.076 [.125 ± .003] DIAMETER HOLE IN P.C. BOARD.
- 3 PRE-PLATED 0.005008 [.000200] MINIMUM BRIGHT TIN-LEAD.
- 4 ACCEPTS (2) SOLID 16 AWG WIRE OR (1) 2.0 mm² STRANDED WIRE PROVIDED THE SOLDER PROCESS FILLS ALL GAPS.
- 5 CRIMP APPLICATOR WIDTH: WIRE BARREL .110 F TYPE, STABILIZER .110 O TYPE, INSULATION BARREL .155 O TYPE.
- 6 CRIMP HEIGHTS:
 (2) 16 AWG SOLID WIRES: WIRE BARREL .073 ± .002", STABILIZER BARREL .115 ± .003"
 (1) 2.0 mm² STRANDED WIRE: WIRE BARREL .050 ± .002", STABILIZER BARREL .115 ± .003".
- 7 PRE-PLATED 0.005008 [.000200] MINIMUM BRIGHT TIN.



SECTION A-A



SECTION B-B



SECTION C-C

	7	3-647505-1
OBSOLETE	3	647505-1
	FINISH	PART NUMBER

THIS DRAWING IS A CONTROLLED DOCUMENT.		DIN S. HAMM 05-APR-2001	STE TE Connectivity	
DIMENSIONS: mm [INCHES]		CHK J. ELLIS 03-APR-2001	NAME	
TOLERANCES UNLESS OTHERWISE SPECIFIED:		APVD J. ELLIS 03-APR-2001	PRODUCT SPEC	
0 PLC ±	1 PLC ±	APPLICATION SPEC		
2 PLC ±	3 PLC ± 0.13 [.005]	SIZE CASE CODE DRAWING NO		
4 PLC ±	ANGLES ±	RESTRICTED TO		
MATERIAL 0.198[.0078] PH BRZ	FINISH 3	WEIGHT	A1 00779 C=647505	—
CUSTOMER DRAWING		SCALE 10:1	SHEET 1 OF 1	REV A