

Extension Modules NE14DCG

CARLO GAVAZZI



- 4 NO safety outputs
- 1 NC feedback output
- 24 VAC / VDC, 110 VAC or 230 VAC power supply
- Suitable for application up to safety category 4 according to EN 954-1
- Approvals: TÜV NORD, cULus

Product Description

Extension module according to EN 60204-1, EN202/1 and /2, EN 418, EN 1088 and EN 954-1. The zero delay extension modules increase the number of safety outputs. They must be used in conjunction with

a safety module and allow to keep the same safety category. They also provide a NC feedback output to control the internal force guided relay integrity

Ordering Key

NE14 D 230 CG

Housing _____
 Application _____
 Controlled Devices _____
 Safety Outputs _____
 Safety Category _____
 Power Supply _____

Type Selection

Power supply	References
24 VAC/VDC	NE14DCG
110 VAC	NE14D110CG
230 VAC	NE14D230CG

Electrical Specifications

Power supply	NE14DCG	24 VAC -15/+10% 50-60 Hz 24 VDC -15/+10%	Feedback output Resistive loads AC1 5 A @ 230 V Small inductive loads AC15 1.5 A @ 230 V
	NE14D110CG	110 VAC -15/+10% 50-60 Hz	
	NE14D230CG	230 VAC -15/+10% 50-60 Hz	
Power consumption	4 VA / 4 W		Contact fuse protection 6 A fast or 4 A delayed
Safety outputs	4 NO		
Feedback outputs	1 NC		Insulation voltage Pollution degree: 2 Overvoltage Cat.: 3/250 V 24 VAC/DC xxx AC none 4 kV 1.2/50µs 4 kV 1.5/50µs 4 kV 1.2/50µs 4 kV 1.5/50µs 4 kV 1.2/50µs
Contact ratings			
Safety output			Supply to input Supply to output Input to output
Resistive loads AC1	8 A @ 230 VAC		
Small inductive loads AC15 DC13	3 A @ 230 VAC 4 A @ 24 VDC		

Time Specifications

Delay on energisation	150 ms
Delay on de-energisation	< 30 ms
Channel simultaneity	∞

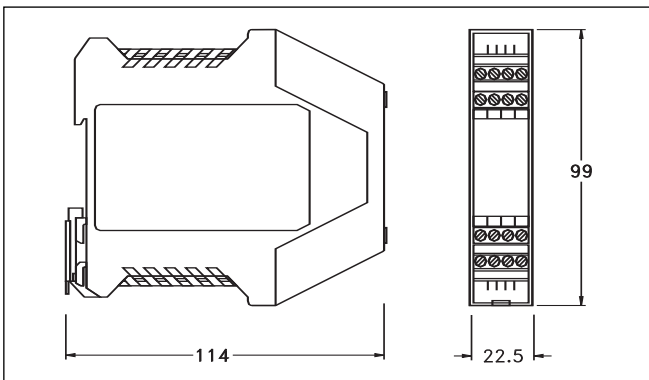
Environmental Specifications

Operating temperature	-25°C ... + 55°C
Storage temperature	-25°C ... + 65°C

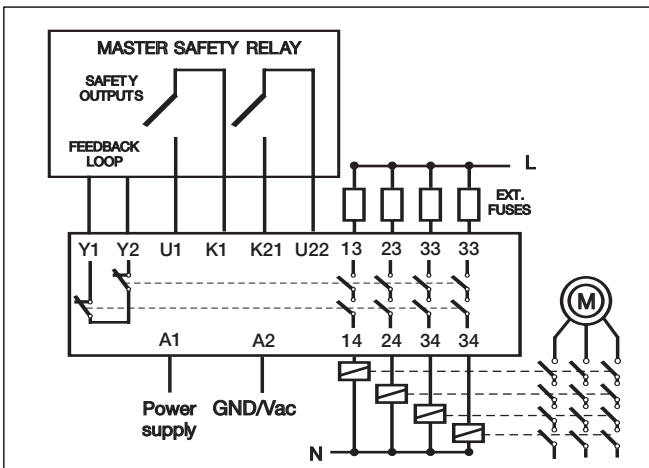
Mechanical Specifications

Protection degree terminals	IP 20	Max cross section of external conductors	2.5 mm ² flexible wire 2.5 mm ² rigid wire
Protection degree housing	IP 40		
Housing material	Polyamid PA6.6	Dimensions	22.5 x 99 x 114 mm
Housing type	22.5 housing models		
Mounting	DIN rail	Weight	NE14DCG 170 g NE14D110CG, NE14D230CG 240 g

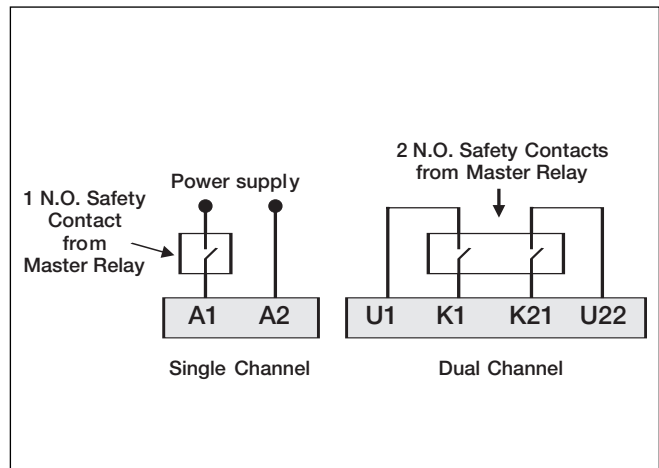
Dimensions



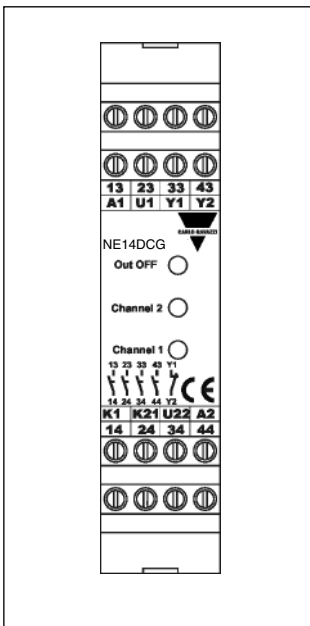
Wiring Diagrams



Application



Connection Sample



Connections

Terminal Function	Connection
A1	+24 VDC or AC supply
A2	GND or AC supply
U1-K1	First input channel (N.O. Safety contact from the master relay)
K21-U22	Second input channel (N.O. Safety contact from the master relay)
Y1-Y2	FEEDBACK output (to connect to the master relay)
13-14	First safety output (N.O.)
23-24	Second safety output (N.O.)
33-34	Third safety output (N.O.)
43-44	Fourth safety output (N.O.)