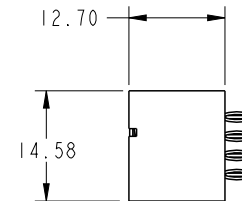
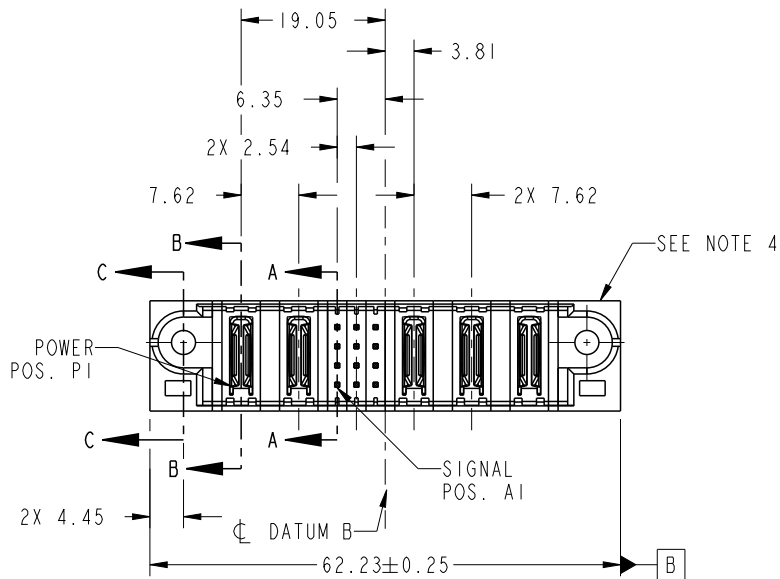


PRODUCT NO.	ROWS	POWER		SIGNAL			POWER				
		E1	P1	P2	1	2	3	P3	P4	P5	E2
51952-188-- NOTE: 3	D C B A		PC	PC	G	G	K	PC	PC	PC	



CODE	DIM "M" MATING LENGTH	CONTACT TYPE
PC	[N/A]	POWER
G	[6.86]	SIGNAL
K	[5.59]	SIGNAL

spec ref	See Notes			dr	X Q Wang	2011/04/01	projection 	MM 	size	A4	scale	1:1	
tolerance std	TOLERANCES UNLESS OTHERWISE SPECIFIED			eng	Anson Liu	2011/08/31			ecn no	-			
See Notes				chr	-	-			rel level	Released			
surface	linear	0.X	±0.5	FCj www.fci.com	title			2ACP + 12S + 3ACP VERTICAL PRESS-FIT HEADER	dwg no	51952-188	rev	A	
		0.XX	±0.25		cat. no.	-	Product - Customer Drw						sheet 1 of 4
		0.XXX	±0.1										
	angular	0°	±2°										

1

2

3

4

A

B

C

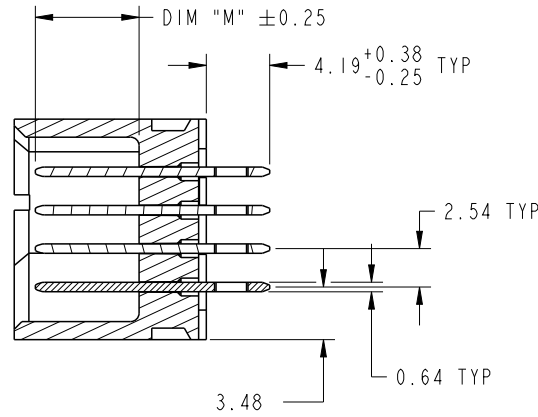
D

A

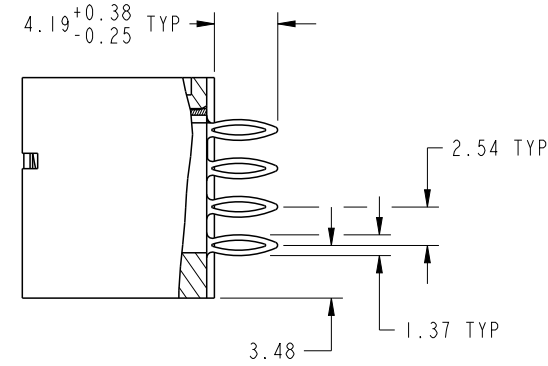
B

C

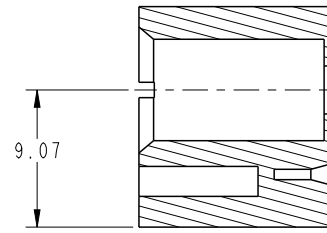
D



SECTION A-A
SCALE 2:1



SECTION B-B
SCALE 2:1



SECTION C-C
SCALE 2:1

dr	X Q Wang	2011/04/01	projection 	MM 	size	A4	scale	1:1	
eng	Anson Liu	2011/08/31			ecn no	-			
chr	-	-			rel level	Released			
appr	Pei-Ming Zheng	2011/09/01	product family	PwrBlade	rev	A			
		title			2ACP + 12S + 3ACP		dwg no		51952-188
www.fci.com		cat. no.			-		Product - Customer Drw		sheet 2 of 4
							STATUS:Released		Printed: Sep 01, 2011

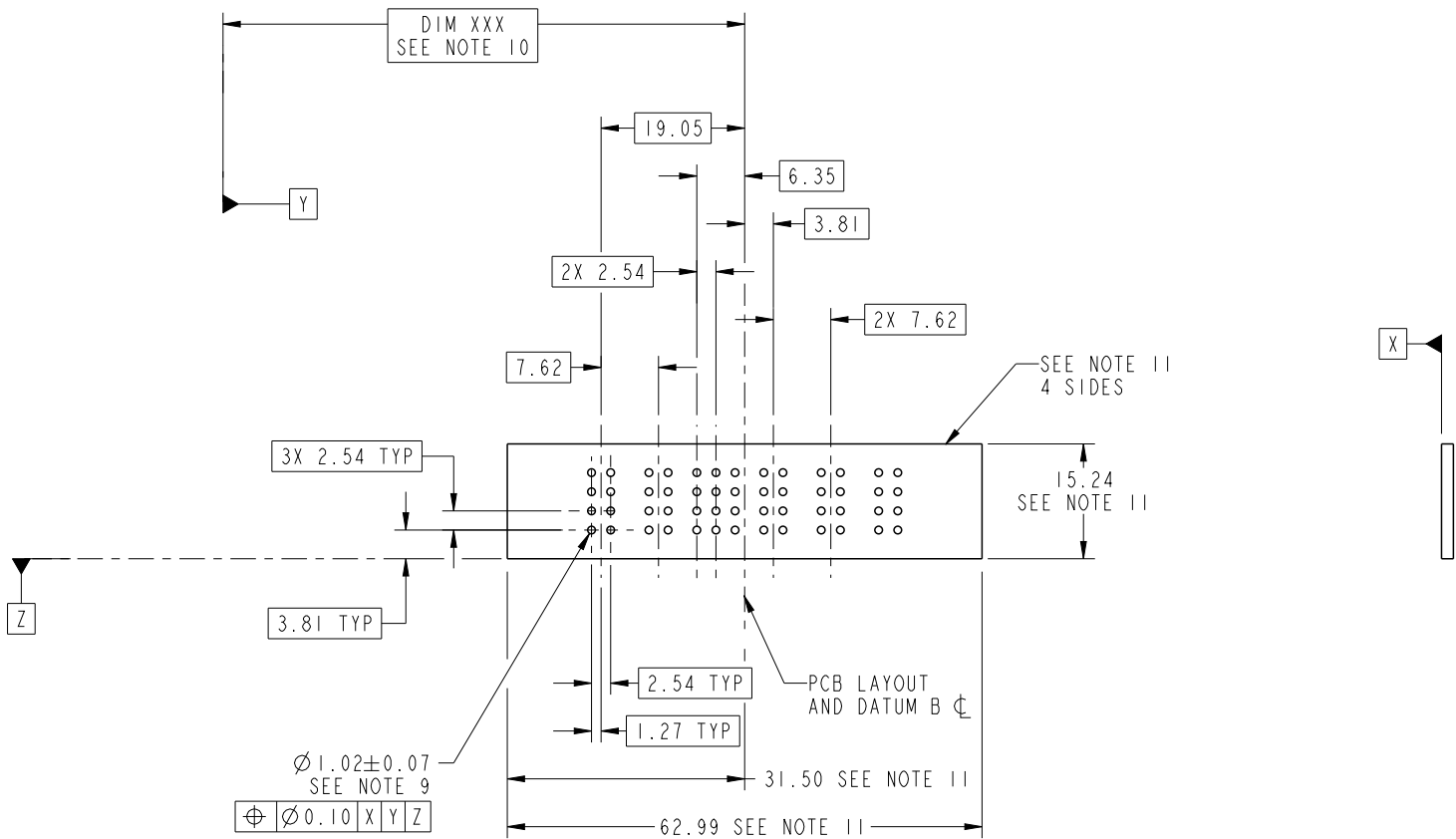
2

3

4



Copyright FCI.



RECOMMENDED PCB LAYOUT



Copyright FCI.

dr	X Q Wang	2011/04/01	projection 	MM 	size	A4	scale	1:1	
eng	Anson Liu	2011/08/31			ecn no	-			
chr	-	-							
appr	Pei-Ming Zheng	2011/09/01	product family	PwrBlade	rel level	Released			
	title	2ACP + 12S + 3ACP VERTICAL PRESS-FIT HEADER			dwg no	51952-188		rev	A
www.fci.com	cat. no.	-	Product - Customer Drw			sheet 3 of 4			

NOTES:

1. DIMENSIONS AND TOLERANCES ARE IN ACCORDANCE WITH ASME Y14.5M, 1994 UNLESS OTHERWISE SPECIFIED.

CONNECTOR NOTES:

- ② HOUSING MATERIAL: UL 94 V-0 GLASS FILLED HIGH-TEMP THERMOPLASTIC
POWER CONTACT MATERIAL: COPPER ALLOY
SIGNAL PIN MATERIAL: COPPER ALLOY
 - 3. SEE ITEM 3 & 4 IN PRINT 10064183 FOR PLATING SPEC OF 51952-188 AND 51952-188LF RESPECTIVELY.
 - ④ MANUFACTURER'S NAME, DATE CODE AND OPTIONAL P/N TO APPEAR ON THIS SURFACE. THE P/N CAN BE OMITTED IF THERE IS NOT ENOUGH SPACE ON THIS SURFACE.
 - 5. PRODUCT SPECIFICATION GS-12-149.
APPLICATION SPECIFICATION BUS-20-067.
 - 6. PACKAGED IN TRAYS.
- PCB NOTES:
- 7. ALL HOLE DIAMETERS ARE FINISHED HOLE SIZE.
 - 8. MOUNTING HOLES, WHERE APPLICABLE, ARE UNPLATED.

⑨ $\varnothing 1.151 \pm 0.025$ DRILLED HOLES PLATED WITH 0.008 MIN SnPb OR Sn OVER .001 [0.03] TO 0.08 Cu PLATING TO ACHIEVE $\varnothing 1.02 \pm 0.07$ HOLE.

⑩ "DIM XXX" TO BE DETERMINED BY THE CUSTOMER.

⑪ CONNECTOR KEEP-OUT ZONE.

11. FOR PRESS FIT APPLICATION USE FCI CAM TOOL 430169-XXX.

dr	X Q Wang	2011/04/01	projection 	MM 	size	A4	scale	1:1	
eng	Anson Liu	2011/08/31			ecn no	-			
chr	-	-							
appr	Pei-Ming Zheng	2011/09/01	product family	PwrBlade	rel level	Released			
	title	2ACP + 12S + 3ACP VERTICAL PRESS-FIT HEADER			dwg no	51952-188		rev	A
www.fci.com	cat. no.	-	Product - Customer Drw			sheet 4 of 4			